

Job Name:	
Tag#	



Submittal Data Sheet	FFQ18Q2VJU
1.5-Ton Ceiling Mounted Indoor Unit	



Indoor Specifications				
	Cooling		Heating	
	H	M	H	M
Airflow Rate (cfm)	448	378	498	420
	L		L	
	275		307	
Sound (dBA) H / M / L	44 / 40 / 32		44 / 40 / 32	
Dimensions (H x W x D) (in)	10-1/4 x 22-5/8 x 22-5/8			
Weight (Lbs)	39			
Nominal Capacity (Btu/hr)	18,000			

*See Outdoor Unit for Rated Capacities

Complete warranty details available from your local dealer or at www.daikincomfort.com. To receive the 12-Year Parts Limited Warranty, online registration must be completed within 60 days of installation. Online registration is not required in California or Quebec. *If product is installed in a commercial application, limited warranty period is 5 years.*

Piping	
Liquid (in)	1/4
Gas (in)	1/2
Drain (in)	1-1/32

Electrical	*208/230V	
	Cooling	Heating
Running Current (Rated) (A)	.52/.47*	.52/.47*
Power Consumption (Rated) (W)	51/51*	51/51*

Standard Equipment	
Part Number	Description
6017766	Drain Pump
2139531	Float Switch

Optional Accessories



Included	Part Number	Description
	BRC1E73	Wired Navigation Remote Controller
	BRC082A42W	Wireless Remote Controller (White)
	BRC082A42S	Wireless Remote Controller (Silver)
	BYFQ60C2W1S	Low Profile Decoration Panel (Silver) - 1-13/16 x 24-7/16 x 24-7/16
	BYFQ60C2W1W	Low Profile Decoration Panel (White) - 1-13/16 x 24-7/16 x 24-7/16
	BRYQ60A2S	Sensor kit (Silver) Intelligent Eye, Comfort Airflow, and Floor Sensor
	BRYQ60A2W	Sensor kit (White) Intelligent Eye, Comfort Airflow, and Floor Sensor
	BDBHQ44C60	Sealing member of air discharge outlet
	KAF441C60	Replacement Long Life Filter
	DACA-CP2-1	Maxi Orange Condensate Pump
	DACA-CP3-1	Mini Condensate Pump 5 gph
	AZAI6WSCDKA	DKN Cloud Wi-Fi Adaptor
	**One Controller & Decoration Panel are Required	

Daikin North America LLC 5151 San Felipe, Suite 500 Houston, TX 77056

(Daikin's products are subject to continuous improvements. Daikin reserves the right to modify product design, specifications and information in this data sheet without notice and without incurring any obligations)

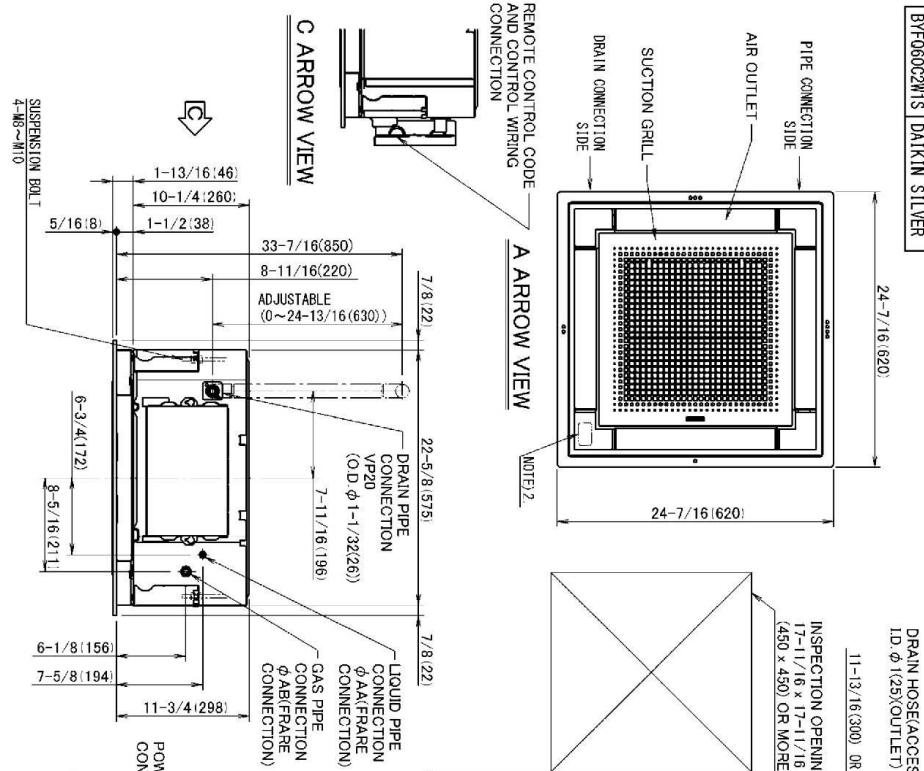
FFQ18Q2VJU Dimensional Data



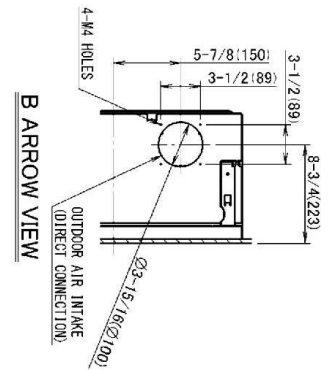
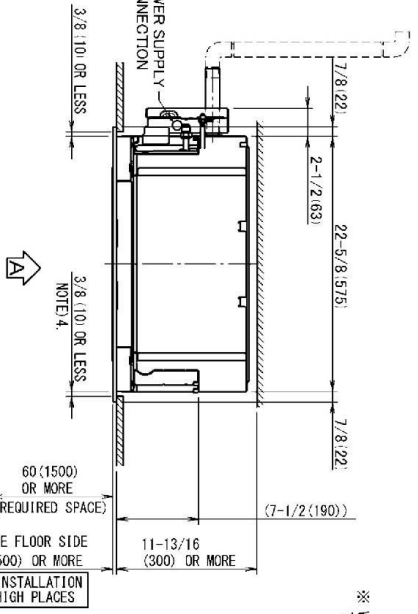
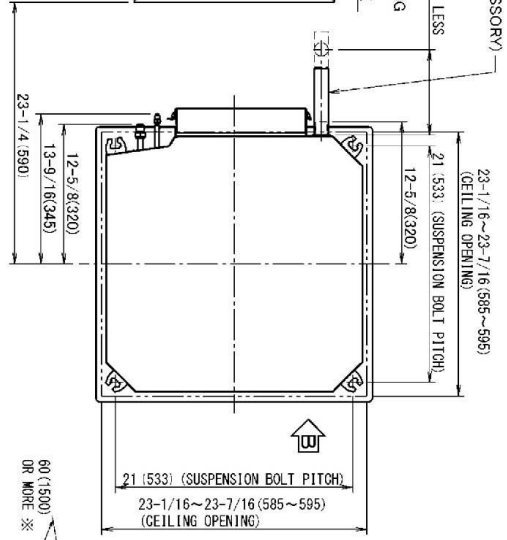
• DECORATION PANEL

BYF060C2M1W	FRESH WHITE (NO. 5)
BYF060C2M1S	DAIKIN SILVER

UNIT: inch (mm)



NOTE 1. STICKING LOCATION FOR MANUFACTURE'S LABEL
 MANUFACTURE'S LABEL FOR INDOOR UNIT: ON THE BELL MOUTH INSIDE SUCTION GRILLE
 MANUFACTURE'S LABEL FOR DECORATION PANEL: ON THE INNER FRAME INSIDE SUCTION GRILLE
 2. IN CASE OF USING WIRELESS REMOTE CONTROL, HIS POSITION WILL BE A SIGNAL RECEIVER.
 3. REFER TO THE DRAWING OR WIRELESS REMOTE CONTROL IN DETAIL.
 4. WHEN THE TEMPERATURE OF THE MAIN UNIT CEILING EXCEEDS 90°C (196°F) AND 94.9% OR THE FRESH AIR INSULATION THICKNESS 3/8 (10) OR MORE OF GLASSWOOL OR POLYURETHANE FOAM IS REQUIRED.
 5. INSULATION THICKNESS 3/8 (10) OR MORE OF GLASSWOOL OR POLYURETHANE FOAM IS REQUIRED.
 6. THROUGH THE INSTALLATION IS ACCEPTABLE UP TO MAXIMUM OF 23-7/16 (595) SQUARE CEILING OPENING.
 7. KEEP THE CLEARANCE OF 3/8 (10) OR LESS BETWEEN THE MAIN UNIT AND THE CEILING OPENING SO THAT THE PANEL OVERLAP ALLOWANCE CAN BE ENSURED.



• REQUIRED SPACE
 60 (1500) OR MORE ※
 60 (1500) OR MORE ※
 60 (1500) OR MORE ※
 ※ WHEN THE AIR OUTLET IS CLOSED,
 THE REQUIRED SPACE IS 7-7/8 (200) OR MORE.

MODEL	MA	AB
FFQ09Q2VJU	1/4 (6.4)	3/8 (9.5)
FFQ12Q2VJU		
FFQ15Q2VJU		1/2 (12.7)
FFQ18Q2VJU		

3D106039

Daikin North America LLC 5151 San Felipe, Suite 500 Houston, TX 77056

(Daikin's products are subject to continuous improvements. Daikin reserves the right to modify product design, specifications and information in this data sheet without notice and without incurring any obligations)