

# DR<sup>®</sup> FIELD and BRUSH MOWER

## SAFETY & OPERATING INSTRUCTIONS



Model:  
PREMIER 26

Serial No. \_\_\_\_\_

Order No. \_\_\_\_\_

DR<sup>®</sup> Power Equipment  
Toll-free phone: 1-800-DR-OWNER (376-9637)  
Web site: [www.DRpower.com](http://www.DRpower.com)

### **WARNING**

Read and understand this manual and all instructions before operating this DR FIELD AND BRUSH MOWER.

# Table of Contents

Chapter 1: General Safety Rules..... 3  
Chapter 2: Setting Up Your DR FIELD and BRUSH MOWER ..... 7  
Chapter 3: Operating Your DR FIELD and BRUSH MOWER ..... 12  
Chapter 4: Maintaining Your DR FIELD and BRUSH MOWER ..... 15  
Chapter 5: Troubleshooting ..... 22  
Chapter 6: Parts Lists, Schematic Diagrams ..... 24

## Conventions used in this manual

### **WARNING**

This indicates a hazardous situation, which, if not avoided, could result in death or serious injury.

### **CAUTION**

This indicates a hazardous situation, which, if not avoided, could result in minor or moderate injury.

### **NOTICE**

This information is important in the proper use of your machine. Failure to follow this instruction could result in damage to your machine or property.

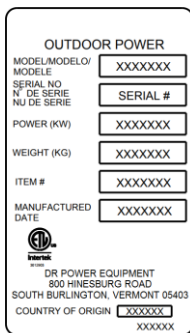


Figure 1

## Serial Number and Order Number

A Serial Number is used to identify your machine and is located on the serial number label of your machine. For your convenience and ready reference, enter the Identification number in the space provided on the front cover of this manual. An Order Number is used to check and maintain your order history and is located on the upper left portion of your packing slip. For your convenience and ready reference, enter the order number in the space provided on the front cover of this manual.

## Additional Information and Potential Changes

DR Power Equipment reserves the right to discontinue, change, and improve its products at any time without notice or obligation to the purchaser. The descriptions and specifications contained in this manual were in effect at printing. Equipment described within this manual may be optional. Some illustrations may not be applicable to your machine.

## California Proposition 65

 **WARNING**  
**CANCER AND REPRODUCTIVE HARM - [www.P65Warnings.ca.gov](http://www.P65Warnings.ca.gov).**

## Chapter 1: General Safety Rules

### **WARNING**

Read this safety & operating instructions manual before you use the DR FIELD and BRUSH MOWER. Become familiar with the operation and service recommendations to ensure the best performance from your machine. If you have any questions or need assistance, please contact us at [www.DRpower.com](http://www.DRpower.com) or call toll free 1-800-DR-OWNER (376-9637) and one of our technical support representatives will be happy to help you.

### Labels

Your DR FIELD and BRUSH MOWER carries prominent labels as reminders for its proper and safe use. Shown below are copies of all the Safety and Information labels that appear on the equipment. Take a moment to study them and make a note of their location on your Mower as you set up and before you operate the unit. Replace damaged or missing safety and information labels immediately.



**DR** **FIELD and BRUSH MOWER**

**TO START ENGINE**

1. Shift WHEEL SPEED to Neutral.
2. Move THROTTLE to 
3. Pull RECOIL on engine.
4. Move THROTTLE to 

**BLADE ENGAGEMENT OPERATION**

1. Press LOCK RELEASE and squeeze BLADE ENGAGEMENT LEVER.
2. To stop blade, release BLADE ENGAGEMENT LEVER.

**WHEEL DRIVE**

1. Select desired WHEEL SPEED.
2. Depress TRACTION DRIVE LEVER to drive.
3. Release TRACTION DRIVE LEVER to stop.

**TO SHUT OFF ENGINE**

1. Move THROTTLE to 

1-800-DR-OWNER  
DRpower.com

**WARNING!** AVOID SERIOUS INJURY OR DEATH

 **IMPORTANT:** Read and understand the operator's manual.

- Remove objects that could be thrown by the blade.
- Keep bystanders at least 100 feet from work area.
- Always keep hands and feet clear of blade and other moving parts.
- Keep safety devices in place and working.

377531

#377531



#136831



#370551



#137581



#385131



#136491



#377511

### Protecting Yourself and Those Around You

### **WARNING**

This is a high-powered machine, with moving parts operating with high energy at high speeds. You must use proper clothing and safety gear when operating this machine to prevent or minimize the risk of severe injury. This machine can cut and sever parts of your body if they become in contact with the moving blade. Always take the following precautions when operating this machine:

- Always wear protective goggles or safety glasses with side shields while using the machine to protect your eyes from possible thrown debris.
- Avoid wearing loose clothing or jewelry, which can catch on moving parts.
- We recommend wearing gloves while using the Mower. Be sure your gloves fit properly and do not have loose cuffs or drawstrings.
- Wear shoes with non-slip treads when using your Mower. If you have safety shoes, we recommend wearing them. Do not use the machine while barefoot or wearing open sandals.

## Safety for Children and Pets

### **WARNING**

Tragic accidents can occur if the operator is not alert to the presence of children and pets. Children are often attracted to the machine and the mowing activity. *Never* assume that children will remain where you last saw them. Always follow these precautions:

- Keep children and pets at least 100 feet from the working area and ensure they are under the watchful care of a responsible adult.
- Be alert and turn the machine off if children or pets enter the work area.
- Never allow children to operate the Mower.
- Before and while moving backwards, look behind and down for small children.
- Use extra care when approaching blind corners, shrubs, trees, or other objects that may obscure your vision.

## Safety with Gasoline - Powered Machines

### **WARNING**

Gasoline is a highly flammable liquid. Gasoline also gives off flammable vapor that can be easily ignited and cause a fire or explosion. Never overlook the hazards of gasoline. Always follow these precautions:

- Never run the engine in an enclosed area or without proper ventilation as the exhaust from the engine contains carbon monoxide, which is an odorless, tasteless, and deadly poisonous gas.
- Store all fuel and oil in containers specifically designed and approved for this purpose and keep away from heat, open flame, and out of the reach of children.
- Replace rubber fuel lines and grommets when worn or damaged and after 5 years of use.
- Fill the gasoline tank outdoors with the engine off and allow the engine to cool completely. Don't handle gasoline if you or anyone nearby is smoking, or if you're near anything that could cause it to ignite or explode. Reinstall the fuel tank and fuel container caps securely.
- If you spill gasoline, do not attempt to start the engine. Move the machine away from the area of the spill and avoid creating any source of ignition until the gas vapors have dissipated. Wipe up any spilled fuel to prevent a fire hazard and properly dispose of the waste.
- Allow the engine to cool completely before storing in any enclosure. Never store a machine that has gas in the tank, or a fuel container, near an open flame or spark such as a water heater, space heater, clothes dryer or furnace.
- Never make adjustments or repairs with the engine running. Shut down the engine, disconnect the spark plug wire, keeping it away from the spark plug to prevent accidental starting, wait 5 minutes before making adjustments or repairs.
- Never tamper with the engine's governor setting. The governor controls the maximum safe operation speed and protects the engine. Over-speeding the engine is dangerous and will cause damage to the engine and to the other moving parts of the machine. If required, see your authorized dealer for engine governor adjustments.
- Keep combustible substances away from the engine.
- Never cover the machine while the muffler is still hot.
- Do not operate the engine with the air cleaner or the carburetor air intake cover removed. Removal of such parts could create a fire hazard. Do not use flammable solutions to clean the air filter.
- The exhaust area on the engine becomes very hot with use. Allow the engine to cool before doing maintenance or making adjustments.
- Never tamper with safety devices. Check their proper operation regularly.
- To reduce fire hazard, keep the engine and muffler free of debris build-up.

## Slope Operation

### WARNING

Slopes are a major factor related to slip and fall accidents, which can result in severe injury. All slopes require caution. If you feel uneasy on a slope, do not mow it. Always take the following precautions when using this machine on slopes:

#### ALWAYS:

- Mow across the face of slopes; never up and down. Exercise extreme caution when changing direction on slopes.
- Remove objects such as rocks, tree limbs, etc.
- Watch for holes, ruts, or bumps. Tall grass can hide obstacles.

#### NEVER:

- Never mow near drop-offs, ditches, or embankments. You could lose your footing or balance.
- Never mow on slopes greater than 20 degrees or any excessively steep slopes.
- Never mow on wet slopes. Reduced traction could result in slipping.

## Operating the Mower Safely

### WARNING

This is a high-powered machine, with moving parts operating with high energy at high speeds. You must operate the machine safely. Unsafe operation can create a number of hazards for you, as well as anyone else in the nearby area. Always take the following precautions when using this machine:

- Never allow people who are unfamiliar with these instructions to use the mower.
- The mower can throw objects far and at great speeds. Keep people and pets at least 100 feet away from your machine at all times. Install warnings around the area of operation stating “It is prohibited to enter this area”. Disengage the blade and stop the engine when a person or pet approaches within 100 feet. Do not restart the machine until people and pets are at least 100 feet away from the mower.
- Clear the area of objects such as rocks, toys, wire, bones, sticks etc., which could be picked up and thrown by the blade.
- Be sure all blade and wheel controls are disengaged before attempting to start the engine. Engage and disengage the blade a few times to get used to it before mowing.
- Keep your hands and feet away from the blade, belts, chains, blade pulleys, and concealed areas while the engine is running. Never reach under the deck or grab hold of any part of the deck when the engine is running.
- Always shut off the engine whenever you leave the machine. Remove the spark plug wire before adjusting the machine. If you have to stop to remove grass or debris from the underside of the deck, always disconnect the spark plug wire first.
- When operating over uneven terrain and slopes, use extreme caution to ensure solid and firm footing. Keep a firm hold on the handlebars and walk, never run.
- Stop the blade when crossing gravel drives, walks, or roads.
- Use extra caution when mowing in wet or slippery conditions.
- Always operate the mower from behind. Never pass or stand on the discharge (right) side or in front of machine when the engine is running.
- Do not pull the mower backwards unless absolutely necessary. Look down and behind before and while moving backwards.
- Do not, under any conditions, remove, bend, cut, fit, weld, or otherwise alter standard parts on the mower. This includes all shields and guards. Modifications to your machine could cause personal injuries and property damage and will void your warranty.
- If the machine starts to make an unusual noise or vibration, immediately shut off the engine, disconnect the spark plug wire, and allow all moving parts to come to a complete stop. Vibration is generally a warning of trouble. Inspect for clogging or damage. Clean and repair and/or replace damaged parts.
- While using the mower, do not hurry or take things for granted. When in doubt about the equipment or your surroundings, stop the machine and take the time to look things over. Make sure that you have 100% control of the mower at all times.
- Do not operate the machine when under the influence of alcohol or medication.
- Watch for traffic when mowing near roadways.
- Use the machine only in daylight.

## *Operating the Mower Safely (continued)*

### **CAUTION**

The mower must be operated safely to prevent or minimize the risk of minor or moderate injury. Unsafe operation can create a number of hazards for you. Always take the following precautions when operating this mower:

- Keep in mind that the operator or user is responsible for accidents or hazards occurring to other people, their property, and themselves.
- Use ear protectors or earplugs rated for at least 20 dba to protect your hearing.
- Wear long pants while mowing.
- Use caution when mowing close to fences, buildings, trees, etc. so as not to hit the handle bar. Doing so, you may injure your hand or lose control of the machine.
- Keep all nuts and bolts tight, especially the blade attachment bolts, and keep the equipment in good operating condition.
- The mower blade is sharp and can cut. Wrap the blade or wear gloves and use extra caution when servicing.

### ***A Note to All Users***

Under California law, and the laws of some other states, you are not permitted to operate an internal combustion engine using hydrocarbon fuels without an engine spark arrester. This also applies to operation on US Forest Lands. All DR® PREMIER 26" ALL-TERRAIN MOWERS shipped to California, New Mexico and Washington State are provided with spark arresters. Failure of the owner or operator to maintain this equipment in compliance with state regulations is a misdemeanor under California law and may be in violation of other state and/or federal regulations. Contact your State Park Association or the appropriate state organization for specific information in your area.

### ***Additional Information and Potential Changes***

DR Power Equipment reserves the right to discontinue, change, and improve its products at any time without notice or obligation to the purchaser. The descriptions and specifications contained in this manual were in effect at printing. Equipment described within this manual may be optional. Some illustrations may not be applicable to your machine.

No list of warnings and cautions can be all-inclusive. If situations occur that are not covered by this manual, the operator must apply common sense and operate this Mower in a safe manner. Contact us at [www.DRpower.com](http://www.DRpower.com) or call 1 (800) DR-owner (376-9637) for assistance.

## Chapter 2: Setting Up Your DR FIELD and BRUSH MOWER

It may be helpful to familiarize yourself with the controls and features of your DR FIELD and BRUSH MOWER as shown in **Figure 1** before beginning these procedures. If you have any questions at all, please feel free to contact us at [www.DRpower.com](http://www.DRpower.com).

### DR FIELD and BRUSH MOWER Controls and Features

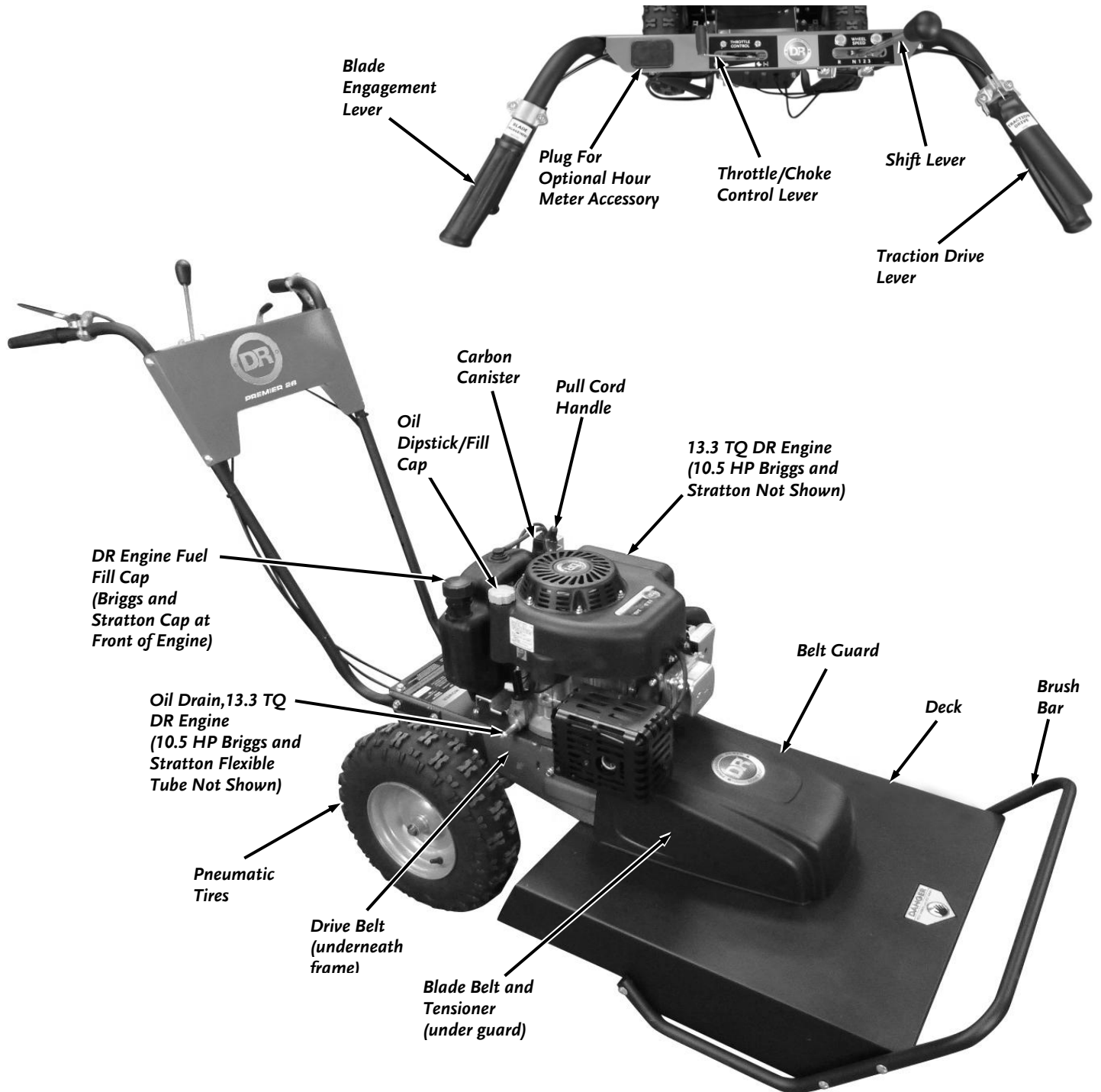


Figure 2

## Specifications

	13.3 FPT Premier	10.5 HP Premier
<b>Engine</b>	DR Power Equipment Refer to your Engine User Manual for Engine specifications	Briggs & Stratton Powerbuilt Refer to your Engine User Manual for Engine specifications
<b>Wheels</b>	Lugged; Sealant filled tubeless	Lugged; Sealant filled tubeless
<b>Size</b>	16" X 4.75"	16" X 4.75"
<b>Handlebar Height (adjustable)</b>	High-39.5", Low-35.5"	High-39.5", Low-35.5"
<b>Cutting Height</b>	3.5"	3.5"
<b>Cutting Width</b>	26"	26"
<b>Cutting Capacity</b>	4' High Grass, 8' High Weeds and Brush, 2" Dia. Saplings	4' High Grass, 8' High Weeds and Brush, 2" Dia. Saplings
<b>Blade Tip Speed</b>	212 mph (18,660 Ft/Min)	212 mph (18,660 Ft/Min)
<b>Blade Drive</b>	Mechanical; Belt tensioner	Mechanical; Belt tensioner
<b>Blade Material</b>	Hardened Steel	Hardened Steel
<b>Deck Material</b>	12 GA Welded Steel	12 GA Welded Steel
<b>Frame Material</b>	12 GA Welded Steel	12 GA Welded Steel
<b>Drive</b>	Transaxle – 3 Forward Gears, 1 Reverse Gear	Transaxle – 3 Forward Gears, 1 Reverse Gear
<b>Belts</b>	Drive and Blade – V-Belts	Drive and Blade – V-Belts
<b>Machine Width, Length, Height</b>	80"L, 29-1/2"W, 46"H	80"L, 29-1/2"W, 46"H
<b>Dry Weight</b>	237 lbs.	223 lbs



Figure 3

### Assembling the DR FIELD and BRUSH MOWER

#### Parts Supplied in Parts Box:

Item	Part#	Description	Qty
1	112141	Cable Tie, 7-1/2" Long	5
2	377331	Guard, Belt, W/ Labels	1
3	352811	Bolt, Flange, Tri Lobe, 3/8-16 X 3/4, GR5 ZP	4
4	344071	Bolt, Hex, Flange, 3/8-16 X 1.5", GR5, ZP	1

Compare the contents of the Parts Box with the "Parts Supplied" list above. If you have any questions please contact us at [www.DRpower.com](http://www.DRpower.com) or call 1-800-DR-OWNER (376-9637) for assistance.

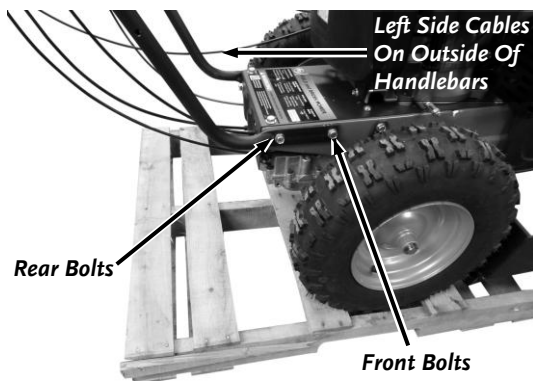


Figure 4

#### Tools and Supplies Needed:

- 9/16" Wrench
- Wire Cutters

1. With the Handlebars resting on the ground, Align the front holes of the Handlebars to the front holes in the Frame (**Figure 4**).

**Note:** Ensure that the left side cables are outside the Handlebars.

2. Loosely secure the front Handlebar holes to both sides of the Frame with a 3/8-16 X 3/4" Tri-lobe Bolt using a 9/16" Wrench.
3. Rotate the Handlebars up to the desired operator position (there are two positions to choose from) and install the remaining 3/8-16 X 3/4" Tri-lobe Bolts. Tighten all four Bolts using a 9/16" Wrench.



- Secure the Cables to the Handlebars with the Cable Ties (**Figure 5**). Cut off the excess from the Cable Ties using the Wire Cutters.

**Note:** Because the Handlebars came uninstalled from the factory, the Blade Engage Cable should be checked/adjusted before you use your Brush mower. Please perform the following steps before using your machine.

- Press the Lever Lock (1), pull and release the Blade Engage Lever a few times (2), then fully release the Blade Engage Lever (**Figure 6**).
- With the Blade Engage Lever released, ensure that the Brake Pad is resting against the Blade Pulley and that the Cable/Spring end of the Blade Engagement Cable does not have tension and is sagging slightly (**Figure 7**).
- Have a helper pull the Blade Engagement Lever as far as it will go towards the Handlebar (**Figure 6**). The Brake Pad should not be touching the Pulley and the Belt should be tightened around the Pulleys.
- If the Cable was not adjusted as described in steps 6 and 7, perform the adjustment described in step 9. If the Cable performs as described and is adjusted correctly, continue to step 10.
- Adjusting the Blade Engage Cable: **To Loosen the Cable** – loosen the rear Jam Nut slightly and tighten the front Jam Nut using a 1/2" Wrench (**Figure 8**). **To Tighten the Cable** – loosen the front Jam Nut slightly and tighten the rear Jam Nut using a 1/2" Wrench (**Figure 8**).

**Note:** The Blade Engage Cable is adjusted properly when the coils of the Spring are pulled apart slightly when the Lever is pulled fully against the Handlebar. When the Lever is released, there should be a very slight sag in the Spring and Cable.

- If the Blade Engage Cable is adjusted properly, position the Belt Guard and secure with the 3/8-16 X 1.5" Flange Bolt using a 9/16" Wrench (**Figure 9**). Continue to the next page for more setup instructions.

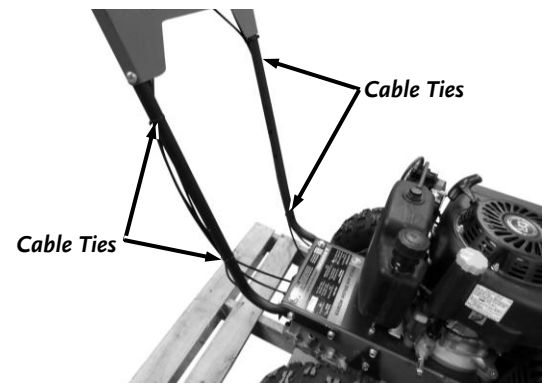


Figure 5

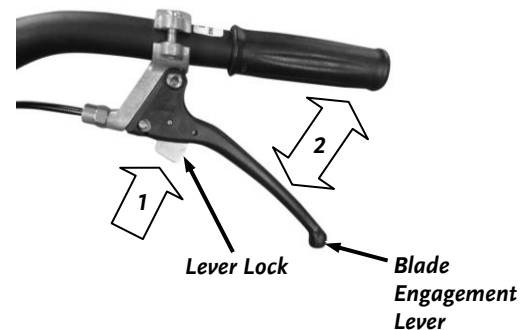


Figure 6

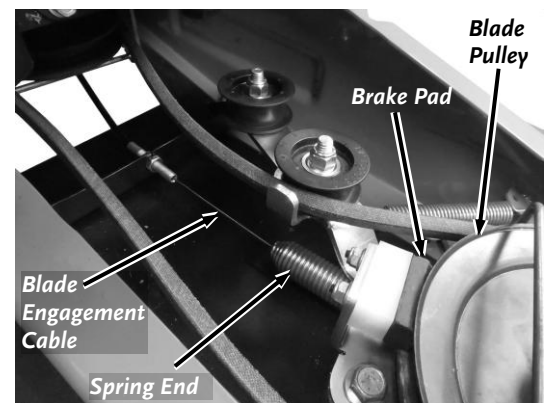


Figure 7

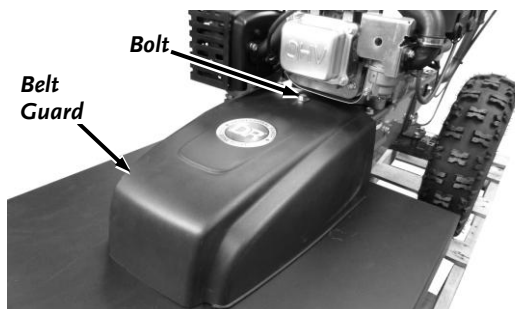


Figure 9

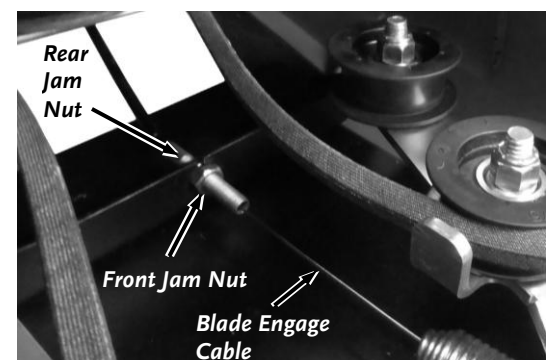


Figure 8

## Adding Oil and Gasoline

### NOTICE

- **YOU MUST ADD OIL BEFORE STARTING THE ENGINE.** This machine is shipped without oil. Traces of oil may be in the reservoir from factory testing, but you must add oil before starting the engine. Fill the reservoir slowly, checking the level frequently to avoid overfilling.
- To get an accurate reading when checking the oil level:
  - The machine should be on a level surface.
  - The dipstick **should** be screwed down for Briggs & Stratton Engines and **should not** be screwed down for DR Engines to ensure an accurate oil level reading.

**Tip:** To avoid confusion, we recommend leaving the caps ON the fuel and oil fills until you are ready to pour either gasoline or oil into the correct fill.

**Note:** Use only SAE 30 high detergent oil. Other types of oil could cause problems operating your machine. Please refer to your Engine Owner's Manual for detailed oil information.

	13.3 FPT Premier	10.5 HP Premier
Engine Oil	37 oz. SAE 30 high detergent	48 oz. SAE 30 high detergent
Fuel	3.7 Quart. Unleaded gasoline	3.0 Quart. Unleaded gasoline

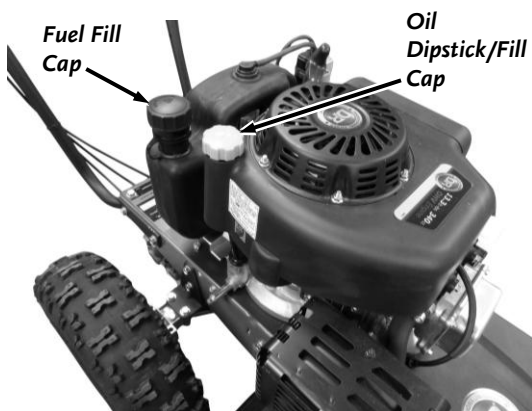


Figure 10

1. Place the machine on a level surface, remove the Oil Fill/Dipstick (**Figure 10**) and clean the end of it with a rag.
2. Machines are shipped with no oil. Initially add 8 oz. less than the total oil capacity recommended by the Engine Manufacturer. Wait one minute for the oil to settle.
3. Replace the Dipstick, screw it in for B&S Engines but do not screw it in for DR Engines, to ensure an accurate reading and then remove it to check the oil level (clean the Dipstick with the rag after checking).
4. Continue adding a few ounces of oil at a time, rechecking the Dipstick until the oil reaches the fill mark. Be careful not to overfill.
5. Replace the Dipstick and screw all the way down when full.
6. Remove the Gas Fill Cap and fill the Gas Tank with fresh, unleaded gas (with a minimum of 85 Octane) to approximately 1" to 1-1/2" below the top of the fill neck to allow for fuel expansion. Be careful not to overfill and reinstall the Gas Fill Cap before starting the engine. See your Engine Owner's Manual for more detailed information.

**Note:** When refilling the gas tank, always turn the engine OFF and let the engine cool at least five minutes before removing the gas fill cap.

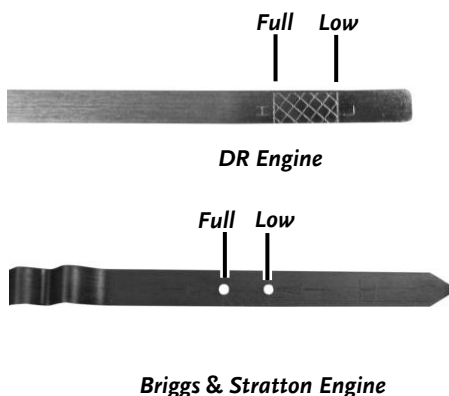


Figure 11

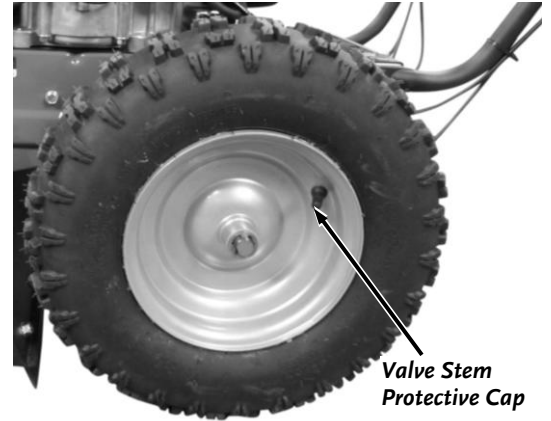
## Check the Tire Pressure

### **WARNING**

Do not over inflate the tires. Inflate to the manufacturer's recommended pressure found on the tires.

#### Tools Needed:

- Tire Pressure Gauge
  - Air Compressor
1. Remove the Valve Stem Protective Cap (**Figure 12**) and check the tire pressure with a tire pressure gauge.
  2. If the pressure is too low, add air through the Valve Stem with an air hose.
  3. Replace the Valve Stem Protective Cap when finished.



**Figure 12**

## Chapter 3: Operating Your DR FIELD and BRUSH MOWER

It may be helpful to better familiarize yourself with the features of your Mower by reviewing **Figure 2** in Chapter 2 before beginning the steps outlined in this chapter.

### Before Starting the Engine

1. Check the oil level every time you use the machine. See **Figure 10 on page 11**.
2. Check the gas level.

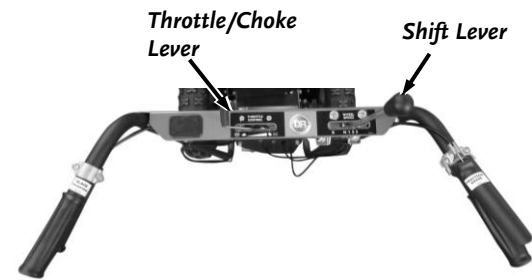




Figure 13

### Starting

1. Move the Shift Lever to the Neutral **N** position (**Figure 13**).
2. Move the Throttle/Choke Lever to the Choke  position.

**Note:** If the engine has been running and is already warm, push the Throttle to Choke Fast  position.


3. Grasp the recoil starter handle and slowly pull until you feel resistance (**Figure 14**). Let the cord retract a little bit, then pull the cord rapidly to start the engine. One or two pulls usually starts the engine.
4. As the engine warms up, slowly adjust the Throttle to the Fast  position (**Figure 13**).



Figure 14

### Engaging the Traction Drive

The DR FIELD and BRUSH MOWER has a three-speed forward and single-speed reverse transmission. Forward speeds range from 1.0 mph in first gear to 3.0 mph in third gear. Use the lower gears for mowing in thick, woody vegetation and the higher gears for wide-open areas and lighter vegetation, or as "travel gears." Reverse is ideal for maneuvering in tight spots.

**Note:** Always release the Traction Drive Lever when shifting gears (**Figure 15**).

1. Move the Shift Lever to the desired gear (**Figure 13**).
2. Gently squeeze the Traction Drive Lever to engage a gear (**Figure 15**).
3. Release the Traction Drive Lever if you need to slow down or stop.

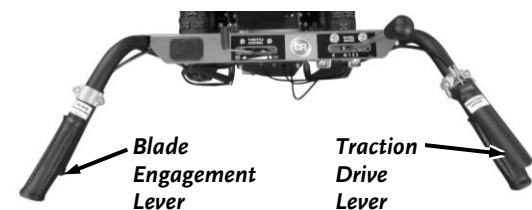


Figure 15

### WARNING

Always disengage the blade of the DR FIELD AND BRUSH MOWER before shifting into reverse.

### Engaging the Blade

1. Engage the Blade by pressing the Lever Lock (see **Figure 6** on page 10), then squeezing the Blade Engagement Lever to the Handle (**Figure 16**).

**Note:** Always position the Throttle/Choke Lever to RUN when cutting.

### Stopping the Blade

1. Release the Blade Engagement Lever (**Figure 16**).

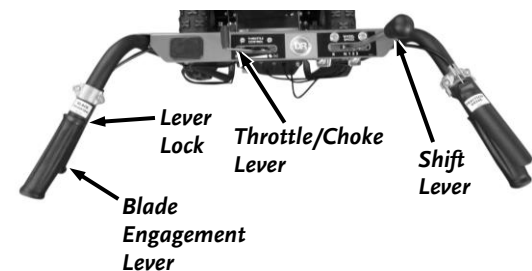



Figure 16

## Stopping the Engine

1. Stop the Blade by releasing the Blade Engagement Lever (**Figure 16**).
2. Move the Shift Lever to the N (Neutral) position.
3. Move the Throttle Control to the STOP  position.

## Obstacle Tips

### WARNING

- The mower engine's power can easily throw stones, sticks, and other debris up to 100 feet at great velocity, which could cause personal injury or property damage. Do not run the machine over gravel driveways, loose stones or mulch with the mower blade spinning.
- Always check your work area before mowing and remove any debris that might tangle or damage the machine. If you do run into debris and the mower becomes tangled, turn off the engine and disconnect the spark plug wire before attempting to untangle the machine.
- Never touch the exhaust areas when reaching for the spark plug—they are very hot.

## Slopes

### WARNING

- When operating the DR FIELD AND BRUSH MOWER over uneven terrain or slopes, use extreme caution not to tip the machine over.
  - Never use the DR FIELD AND BRUSH MOWER on slopes greater than 20 degrees (**Figure 17**). Doing so could result in serious injury or damage to your machine.
- 
- If you have to mow on sloping terrain, mow across the slope, not up and down, for better control.
  - To avoid “free-wheeling”, shift into a lower gear before going down a slope. NEVER shift while on a slope.



Figure 17

### ***If the machine gets hung up***

- Disengage the Blade. NEVER try to free the machine from stumps or debris with the Blade engaged.
- Try putting the machine in reverse and backing away from the obstacle.
- Try pushing down on the handlebars to lift the mowing deck over the obstacle.

### ***Cutting Brush and Saplings***

- When cutting woody material, small saplings, etc., allow the machine to ride up and over material slowly. Adjust your forward speed to varying conditions.
- After cutting brush, etc., you may want to mow over it again to remove any remaining branches. It works best to mow from the trunk end toward the top as brush lies on the ground.

### ***Reverse***

1. Be very careful of your footing when operating the machine in reverse. Know what is behind you and take your time.
2. Disengage the Blade before shifting into reverse. Mow in the forward gears only, using reverse for maneuvering.
3. If you find it difficult to shift into reverse, lightly "feather" the Traction Drive Lever as you put the Shift Lever into reverse, then quickly release the Lever.
4. Gently squeeze the Traction Drive Lever to start moving in reverse.

### ***Cutting in Wet and Heavy Growth***

1. Be very careful of your footing when mowing in wet conditions. Avoid steep slopes and other slippery areas.
2. Use a lower, slower speed when mowing in wet conditions.

---

#### **WARNING**

- If you need to leave the operating position to clear debris from the deck, first put the machine in "n" (neutral), turn the engine off and disconnect the spark plug wire.
  - Never touch the exhaust areas when reaching for the spark plug—they are very hot.
-

## Chapter 4: Maintaining Your DR FIELD and BRUSH MOWER

Regular maintenance is the way to ensure the best performance and long life of your machine. Please refer to this manual and the engine manufacturer's owner's manual for maintenance procedures. Service intervals listed in the checklist below supersede those listed in the engine manufacturer's owner's manual.

### **⚠ WARNING**

Shut down the engine, remove the spark plug wire and wait 5 minutes before performing any maintenance procedure or inspection on the Mower.

### **Regular Maintenance Checklist**

**Note:** Consider the service intervals shown as maximum under normal operating conditions. Increase frequencies under extremely dirty or dusty conditions.

PROCEDURE	BEFORE EACH USE	EVERY 25 HOURS	EVERY 100 HOURS
Check Engine Oil Level	▲		
Check General Equipment Condition	▲		
Check Blade for Sharpness	▲		
Clean Engine Exterior and Cooling Fins	▲		
Check/Adjust Belt Engagement Cable		▲	
Check/Adjust Traction Drive Cable		▲	
Lubricate Traction Drive Lever*		▲	
Check Tire Pressure		▲	
Change Engine Oil	1 <sup>st</sup> time 5 hours	▲	
Check all Belt Tensions and Condition		▲	
Check Cable connections		▲	
Replace Air Filter and Pre-cleaner		▲	
Replace Spark Plug			▲
Replace Fuel Filter			▲

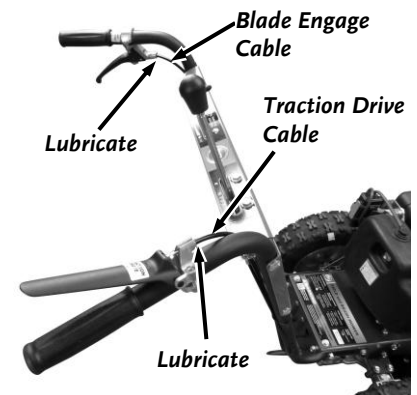
\* SAE 30 Oil; NEVER use penetrating oil.

### **Lubrication**

Your DR FIELD and BRUSH MOWER was lubricated at the Factory. The Spindle and Transaxle are lubricated for life and sealed at the factory. The operator needs to periodically lubricate the Traction Drive and Blade Engagement Cables and also provide engine lubrication.

#### **Supplies Needed:**

- SAE 30 Oil
1. Lubricate the Traction Drive and Blade Engagement Cables with SAE 30 Oil (**Figure 18**). Apply the lubricant into the cable housing while working the cable back and forth a few times. You should do this at both ends of the cables. Perform this lubrication more often in dry and dusty environments.



**Figure 18**

## Changing the Engine Oil (DR Engine)

### Tools and Supplies Needed:

- 10mm Wrench
- 12mm Wrench
- SAE 30 Oil
- Oil Drain Container (at least 50 oz. capacity)

### Manually:

1. Remove the Oil Filler Cap and position a suitable oil drain container under the machine near the Oil Drain Tube (**Figure 19**).
2. Remove the Plug at the end of the Oil Drain Tube using a 10mm Wrench.

**Note:** If the Oil Drain Tube turns when loosening the Plug, you can hold the Tube at the flats in the center using a 12mm Wrench.

3. When the Oil is completely drained, reinstall the Plug into the Drain Tube.
4. Replace the oil by following the instructions “Adding Oil and Gasoline” in Chapter 2.

### Alternate Method:

1. Remove the Oil Dipstick/Fill Cap and vacuum the oil from the engine through the Oil Fill Tube using a vacuum oil drainer.
2. Replace the oil by following the instructions “Adding Oil and Gasoline” in Chapter 2.

**Note:** If you are not reusing the oil, be sure to use environmentally safe disposal procedures in the disposing of the used oil.

## Changing the Engine Oil (Briggs and Stratton Engine)

### Tools and Supplies Needed:

- SAE 30 Oil
- Oil Drain Container (at least 50 oz. capacity)

### Manually:

1. Pull Down on the Oil Drain Hose to disconnect the Clip from the Engine Cover (**Figure 20**).
2. Lower the Hose to the Drain Container and open the Cap to drain the Oil.
3. When the Oil is completely drained, reinstall the Cap and .
4. Replace the Oil Drain Cap and connect the Clip onto the Engine Cover.
5. Replace the oil by following the instructions “Adding Oil and Gasoline” in Chapter 2.

### Alternate Method:

1. Remove the Oil Dipstick/Fill Cap and vacuum the oil from the engine through the Oil Fill Tube using a vacuum oil drainer.
2. Replace the oil by following the instructions “Adding Oil and Gasoline” in Chapter 2.

**Note:** If you are not reusing the oil, be sure to use environmentally safe disposal procedures in the disposing of the used oil.

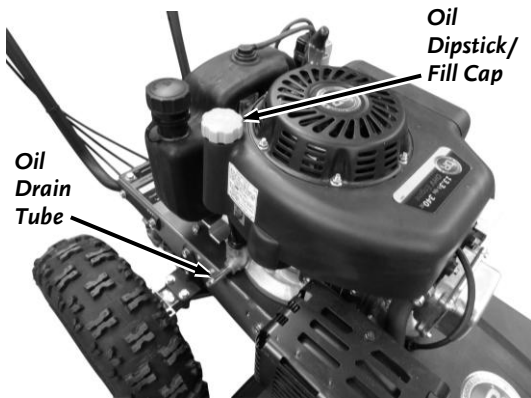


Figure 19

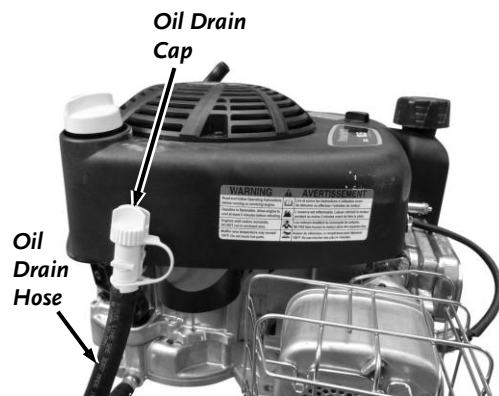


Figure 20



## Replacing the Blade Belt

### Tools and Supplies Needed:

- Two 9/16" Wrenches
- Gloves

### NOTICE

Use only DR belts on your machine. They have been thoroughly tested and proven for many hours of use

1. Remove the Belt Guard by unscrewing the Bolt using a 9/16" Wrench (**Figure 21**).
2. Remove the Locknut from the front Idler Pulley using a 9/16" Wrench and remove the pulley (**Figure 22**). Leave the Bushing that is under the Pulley in place.
3. Remove the Bolt and Flat Washer at the left side (bottom of Figure 22) of the Blade Pulley Belt Guide using a 9/16" Wrench.
4. Loosen the Bolt at the right side (top of Figure 22) of the Belt Guide using a 9/16" Wrench so the Guide can be rotated enough to get the Belt off the Pulley.
5. Remove the Bolts and Locknuts securing the Engine Pulley Belt Guide using two 9/16" Wrenches and remove the Belt Guide (**Figure 23**).
6. Remove the Belt from the Deck and Engine Pulleys.
7. To install the new Belt, follow the above procedures in the reverse order.

**NOTICE!** Make sure the new Belt is inside the Belt Guide as shown in Figure 23.

**NOTICE!** Make sure the new Belt is in between the front Idler Pulley and the Idler Arm Tab as shown in Figure 22.

## Changing the Traction Drive Belt

### Tools and Supplies Needed:

- Two 9/16" Wrenches
- Two 1/2" Wrenches
- Ratchet with 1/2" Socket and Extension
- New Belt #351101
- Jack Stands

1. Remove the Belt Guard by unscrewing the Bolt using a 9/16" Wrench (**Figure 21**).
2. Remove the Bolts and Locknuts securing the Engine Belt Guide using two 1/2" Wrenches and remove the Belt Guide (**Figure 23**).
3. Remove the Blade Belt from the Lower Engine Pulley.
4. Remove the Locknuts and Flat Washers that secure the Traction Drive Belt Guide using a Ratchet with 1/2" Socket and Extension. Remove the Traction Drive Belt Guide (**Figure 24**).
5. Remove the Traction drive Belt from the upper Engine Pulley and let it rest on the Lower Pulley.

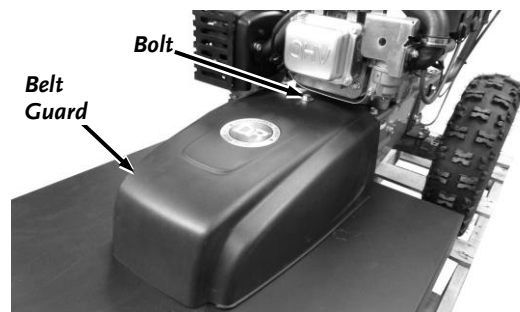


Figure 21

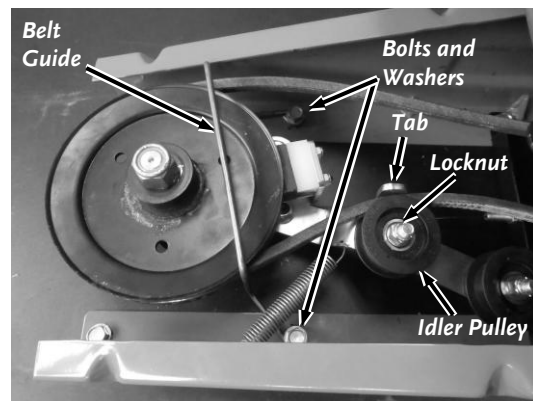


Figure 22

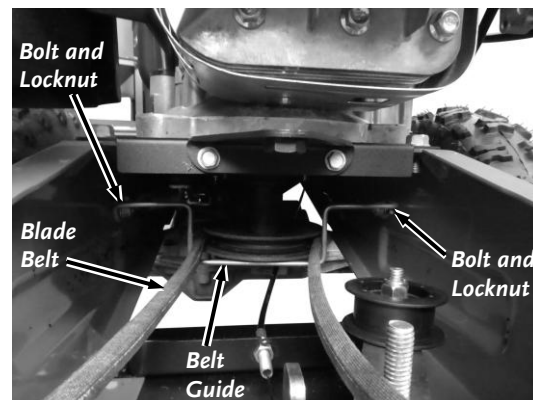


Figure 23

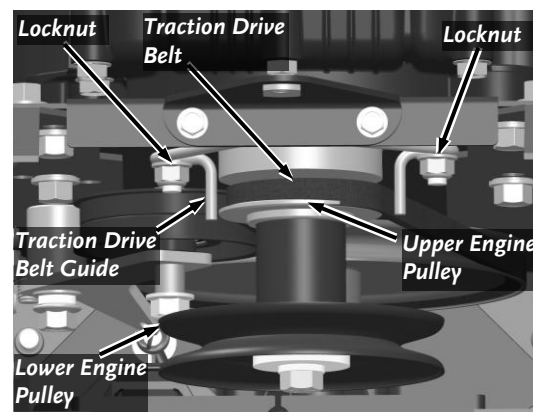


Figure 24

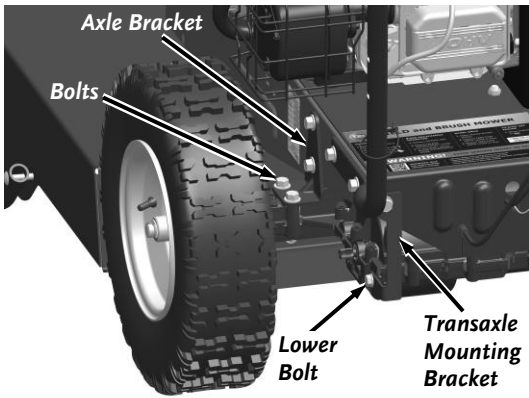


Figure 25

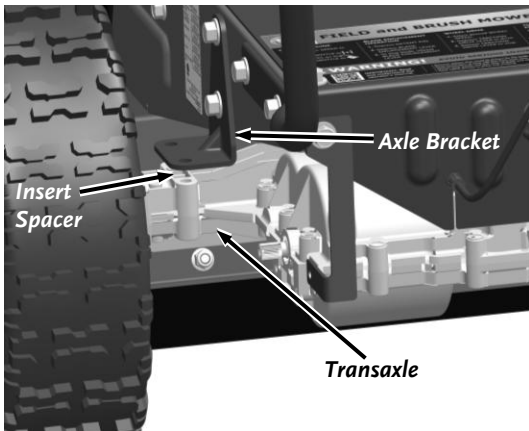


Figure 26

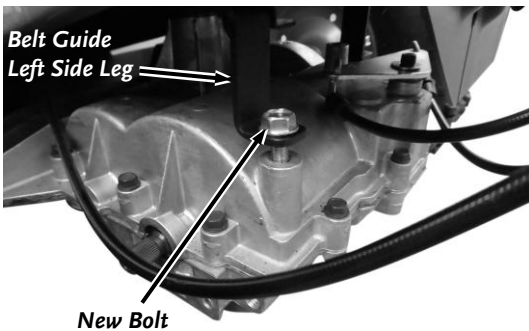


Figure 27

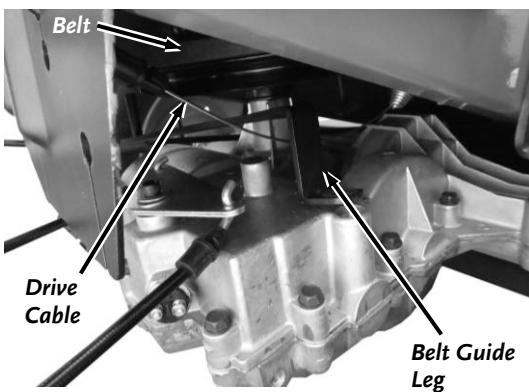


Figure 28

6. MACHINES WITH BRACKET KIT: Remove the Bolts that secure the bottom end of the Transaxle mount Brackets to the Transaxle using a 1/2" Wrench (Figure 25).
7. Remove the four Bolts (2 each side) that secure the Axle Brackets to the Transaxle using a 9/16" Wrench.
8. Lift the machine up by the Handlebars and insert a Spacer (1/4" to 1/2" thick) in between the Axle Bracket and Transaxle on both sides (Figure 26).  
**NOTICE!** The Cables that are connected to the Transaxle will prevent the Machine from being lifted very far. Do not lift the Handlebar more than 1/2" for spacers.
9. Remove the Bolts that secure the Belt Guide to the Transaxle but leave the Belt Guide in place (Figure 27).
10. Remove the Belt from the Transaxle Pulley first and then remove the other end from the lower Engine Pulley.
11. Place the new Belt on top of the lower Engine Pulley and then around the Transaxle Pulley.
12. Secure the Belt Guide to the Transaxle with the two Bolts. Ensure the Drive Cable is on the inside of the Belt Guide leg (Figure 28).
13. Lift the Handlebar and remove the Spacers between the Axle Bracket and Transaxle (Figure 26).
14. Align the holes of the Axle Bracket to the Transaxle and install the four Bolts using a 9/16" Wrench (Figure 25).
15. MACHINES WITH BRACKET KIT: Install the Bolts that secure the bottom end of the Transaxle mount Brackets to the Transaxle using a 1/2" Wrench (Figure 25).
16. Install the Traction drive Belt onto the upper Engine Pulley (Figure 24).
17. Position the Traction Drive Belt Guide and secure with the Locknuts and Flat Washers using a Ratchet with 1/2" Socket and Extension.
18. Install the Blade Belt onto the Lower Engine Pulley (Figure 23).
19. Position the Engine Belt Guide and secure with the Bolts and Locknuts using two 1/2" Wrenches.
20. Position the Belt between the Idler Pulley and Tab as you place the Idler Pulley onto the Stud (Figure 22). Secure the Idler Pulley with the Locknut using a 9/16" Wrench.
21. Install the Belt Guard and secure with the Bolt using a 9/16" Wrench (Figure 21).

## Adjusting the Traction Drive Cable

The Drive Belt will stretch a little when new, then more over time. If the Wheels are not driven adequately when the Traction Drive Lever is engaged, adjust the Traction Drive Cable In-Line Adjuster to tighten the Cable and increase tension as described below.

1. Locate the In-Line Adjuster on the Traction Drive Cable on the right Handlebar (behind the Operator Panel) (**Figure 29**).
2. Rotate the middle portion of the In-Line Adjuster in the clockwise direction (looking down on the cable) to tighten the Cable and increase tension.
3. If the machine moves (even slightly) without the Traction Drive Lever engaged, loosen the Cable by rotating the middle portion of the In-Line Adjuster in the counter-clockwise direction to decrease tension.

## Adjusting the Shift Cables

If there is a lot of "play" in the Wheel Speed Lever or if the lever is no longer aligned with the Wheel Speed Label, you may need to adjust the Shift Cables.

### Tools needed:

Two 13mm Wrenches

1. Locate the Shift Cable Adjustment Nuts on the Shift Lever end of the cable (**Figure 30**).
2. Loosen one of the Cable Jam Nuts on the cable using two 13mm Wrenches.
3. Pull down slightly on the cable just enough to pull out the slack and then tighten the Cable Adjustment Nut to hold the cable housing in tension. You may need to tension one cable while loosening the other to realign the Lever.

**Note:** Do not over tighten the cable. It will create a spongy feel in the shift lever.

## Removing and Replacing the Blade

### Tools and Supplies needed:

- 15/16" Socket with 1/2" Drive Breaker Bar (Air Wrench preferred)
- Gloves
- Block of wood to brace the Blade (at least 2" thick)

## ⚠ WARNING

Use caution when pushing or pulling the wrench next to the blade. Wear gloves; if the wrench slips off the bolt, you may be seriously injured.

1. Brace the Blade with a block of wood between the Blade and the Mower Deck (**Figure 31**).
2. Remove the Blade Bolt (right-hand, regular thread) Lock Washer and Large Flat Washer.
3. Remove the Blade.
4. Mount the new Blade, Large Flat Washer, Lock Washer, and Bolt.

**Note:** Be sure to position the Blade with the fins pointing up towards the Deck for it to work properly.

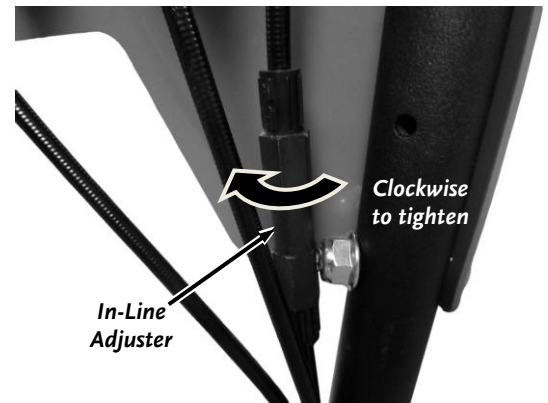


Figure 29

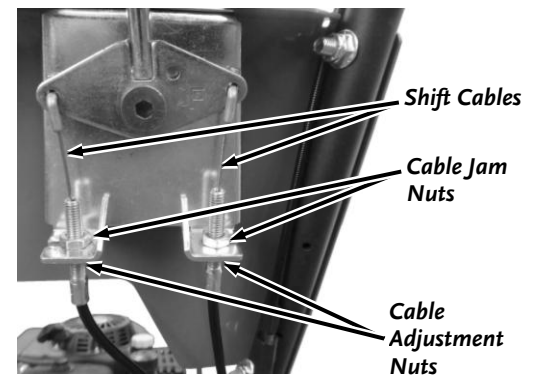


Figure 30

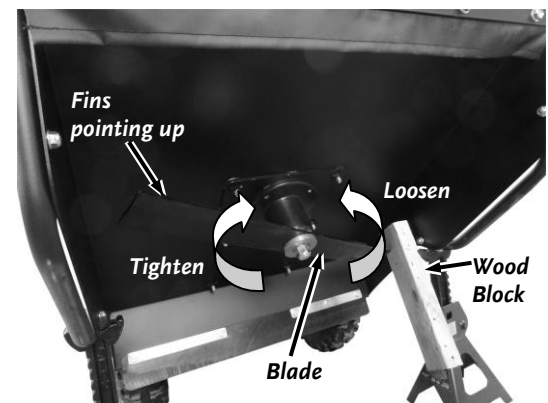


Figure 31

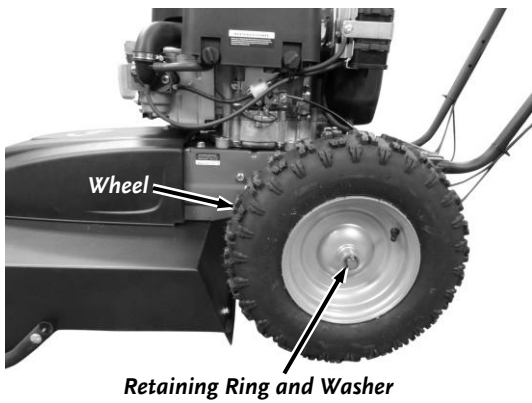


Figure 32

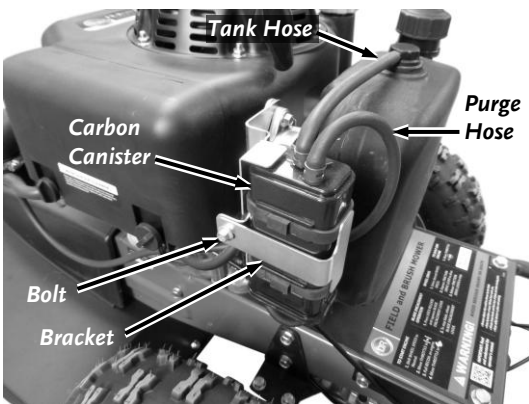


Figure 33

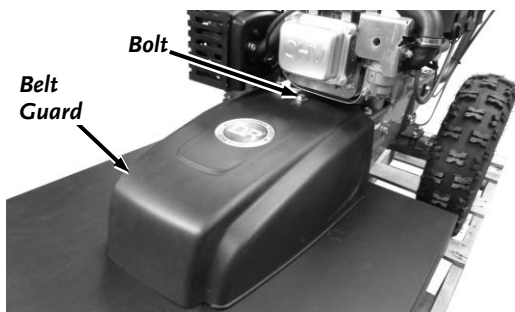


Figure 34

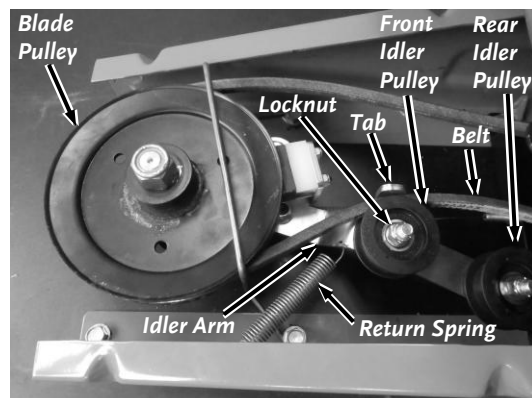


Figure 35

## Replacing the Wheels

### Tools needed:

- Needle Nose Pliers
- Safety Goggles

## ⚠ WARNING

Wear Safety Goggles when removing the Retaining Ring that secures the Wheels. The Retaining Ring could snap towards you and could cause injury.

1. Block the machine so the Wheel you are removing is off the ground (**Figure 32**).
2. Remove the Retaining Ring with the Pliers.
3. Remove the Washer and pull the Wheel off the Axle.
4. Replace the Wheel in the reverse order as above.

**Note:** Make sure the Retaining Ring is fully locked onto the Axle when installing Wheels.

## Replacing the Carbon Canister

### Tools needed:

- 5/16" Wrench
- Wire Cutters
- Pliers

1. Pull the two hoses from the top of the Carbon Canister (**Figure 33**).
2. Remove the bolt that secures the Canister Bracket using a 5/16" Wrench.
3. Remove the Bracket and Canister.
4. Install a new Carbon Canister and secure with the Bracket and Bolt using a 5/16" Wrench.

**Note:** The Hoses MUST be installed onto the new Canister in the same location as they were on the old Canister.

5. Install the Hoses at the top of the Canister.

## Changing the Blade Pulley Brake Pad

### Tools needed:

- 9/16" Wrench
- 3/8" Wrench
- 1/8" Allen Wrench

1. Remove the Belt Guard by unscrewing the Bolt using a 9/16" Wrench (**Figure 34**).
2. Unhook the end of the return Spring where it attaches to the Idler Assembly (**Figure 35**).
3. Remove the Locknut securing the front Idler Pulley using a 9/16" Wrench and remove the front Idler. Leave the Bushing in place.
4. Move the Belt to the outside of the rear Idler Pulley.
5. Rotate the Idler Arm to move the Brake Pad away from the Blade Pulley.

6. Remove the Brake Pad and Spacer using a 3/8" Wrench for the Nuts and 1/8" Allen Wrench for the Bolts (**Figure 36**).
7. Install a new Brake Pad with the Spacer and tighten the hardware tight enough that it stays in place but can be forced up or down as needed for adjustment.
8. Rotate the Idler Arm so the Brake Pad contacts the Blade Pulley (**Figure 37**). Adjust the Pad up or down to fit into the groove of the Pulley so there is equal contact on top and bottom of the Pad.
9. Rotate the Idle Arm out and fully tighten the Bake Pad hardware.
10. Move the Belt to the inside of the rear Idler Pulley (**Figure 35**).
11. Install the front Idler Pulley as you insert the Belt between the Idler pulley and the Idler Arm Tab.

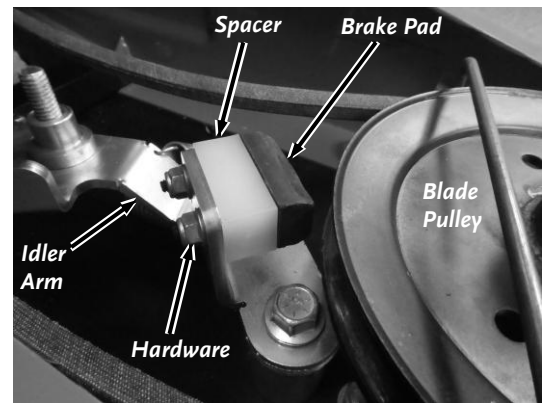
**Note:** Make sure the Belt is routed correctly between the front Idler Pulley and the Idler Arm Tab as shown in Figure 30.

12. Secure the front Idler Pulley with the Locknut using a 9/16" Wrench.

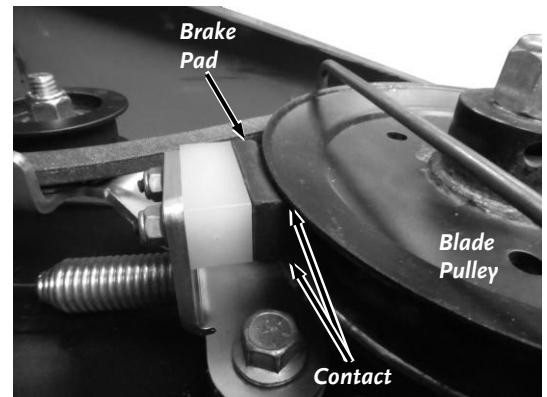
13. Hook the Return Spring into the hole in the Idler Arm (**Figure 38**).

**Note:** If the return Spring has been detached from the Frame and you need to reattach it, do not use the first hole in the row (**Figure 38**). We recommend you install the Brake Spring into the second hole for the proper tension. The other (further) holes can be used to create even better Blade Braking but will increase the force needed to operate the Blade Engage Lever.

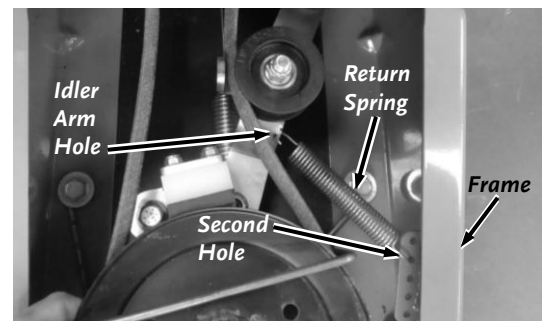
14. Reinstall the Belt Guard.



**Figure 36**



**Figure 37**



**Figure 38**

## Chapter 5: Troubleshooting

Most problems are easy to fix. Consult the Troubleshooting Table below for common problems and their solutions. If you continue to experience problems, contact us at [www.DRpower.com](http://www.DRpower.com) or call 1-800-DR-OWNER (376-9637) for support.

### **WARNING**

Shut down the engine, remove the spark plug wire and wait 5 minutes before performing any maintenance procedure or inspection on the Mower.

### Troubleshooting Table

SYMPTOM	POSSIBLE CAUSE
<i>Recoil will not pull out or is difficult to pull.</i>	<ul style="list-style-type: none"> <li>⇒ Check the Engine oil level, the Engine may be seized.</li> <li>⇒ There may be an oil compression lock in the Cylinder. Take out the Spark Plug; hold a rag over the Spark Plug hole and pull the Recoil Cord several times to blow out any oil in the Cylinder. Wipe off the Spark Plug and reinstall it.</li> <li>⇒ The Recoil may be broken or jammed. Visit us at <a href="http://www.DRpower.com">www.DRpower.com</a>.</li> </ul>
<p><i>The Engine will not start.</i></p> <p><i>(Please refer to the Engine Owner's Manual for Engine-specific procedures.)</i></p>	<ul style="list-style-type: none"> <li>⇒ Make sure the Spark Plug Wire is attached.</li> <li>⇒ Make sure the Throttle/Choke Lever is in the START position.</li> <li>⇒ If the Engine is cold, position the Throttle to "Choke".</li> <li>⇒ The gas must be fresh and clean. If the gas is old, change it. Use a fuel stabilizer if you keep gas longer than one month.</li> <li>⇒ Make sure that the Spark Plug is clean. If the Spark Plug is dirty or cracked, change it. If it is oily, leave it out, hold a rag over the Plug hole and pull the Recoil Cord several times to blow out any oil in the Cylinder, then wipe off the Plug and reinsert it.</li> </ul>
<p><i>The Engine lacks power or is not running smoothly.</i></p> <p><i>(Please refer to the Engine Owner's Manual for Engine-specific procedures.)</i></p>	<ul style="list-style-type: none"> <li>⇒ Check the Throttle/Choke Lever travel and adjustment. Make sure the Throttle Lever is in the Run position.</li> <li>⇒ Check that the Air Filter is clean. If it is dirty, change it following the procedure in the Engine Owner's Manual.</li> <li>⇒ Make sure that the Spark Plug is clean. If it has fouled or cracked, change it. If it is oily, leave it out, hold a rag over the Plug hole and pull the Recoil Cord several times to blow out any oil in the Cylinder, then wipe off the Plug and reinsert it.</li> <li>⇒ The gas must be fresh and clean. If it is old, change it. Use a fuel stabilizer if you keep gas longer than four weeks or so.</li> <li>⇒ Check to make sure that your Engine has the right amount of clean oil. If it is dirty, change it following the procedure in Chapter 4.</li> <li>⇒ If your Engine still lacks power, Visit us at <a href="http://www.DRpower.com">www.DRpower.com</a>.</li> </ul>
<i>Engine smokes.</i>	<ul style="list-style-type: none"> <li>⇒ Check the oil level and adjust as needed.</li> <li>⇒ You may be operating the machine on too great an incline. See Slopes in Chapter 3.</li> <li>⇒ Check the Air Filter(s) and clean or replace if needed.</li> <li>⇒ You may be using the wrong oil—too light for the temperature. Refer to your Engine Owner's Manual for detailed information.</li> <li>⇒ Clean the Cooling Fins if they are dirty.</li> <li>⇒ If the Engine still smokes, Visit us at <a href="http://www.DRpower.com">www.DRpower.com</a>.</li> </ul>
<i>Machine is hard to get into reverse.</i>	<ul style="list-style-type: none"> <li>⇒ If you find it difficult to shift into reverse, lightly pull the Traction Drive Lever as you pull the Shift Lever into Reverse then quickly release the Clutch Lever.</li> <li>⇒ If the difficulty persists, Visit us at <a href="http://www.DRpower.com">www.DRpower.com</a>.</li> </ul>

## Troubleshooting Table (Continued)

### **WARNING**

Shut down the engine, remove the spark plug wire and wait 5 minutes before performing any maintenance procedure or inspection on the Mower.

<b>SYMPTOM</b>	<b>POSSIBLE CAUSE</b>
<i>The Belt frays or rolls over the Pulley.</i>	⇒ A Pulley groove may be nicked. Check the Belt for wear and hard spots. File off any nicks on the Pulley. ⇒ The Belt may be stretched; replace it.
<i>Blade vibrates when engaged.</i>	⇒ Replace the Blade if it is chipped, bent, or broken. ⇒ The Spindle Bearings may be bad or the Spindle Shaft is bent. Visit us at <a href="http://www.DRpower.com">www.DRpower.com</a> .
<i>The Blade is not cutting or is loose.</i>	⇒ The Blade may not be seated properly on the hub. Loosen the Blade Bolt, reseal the Blade, and tighten the Bolt. Be sure to turn OFF the Engine and remove the Spark Plug Wire before performing this operation. ⇒ Sharpen the Blade; it may be dull or nicked.
<i>Wheels pulling left or right.</i>	⇒ The Tires may not have the proper air pressure. Check the recommended Tire pressure on the side of the Tire. Do not exceed the maximum pressure recommended.
<i>The Wheels will not drive.</i>	⇒ The Transaxle is not in gear. Shift the Transaxle into gear. ⇒ Traction Drive Cable needs adjustment. See “Adjusting the Traction Drive Cable” in Chapter 4.

## Chapter 6: Parts Lists, Schematic Diagrams

---

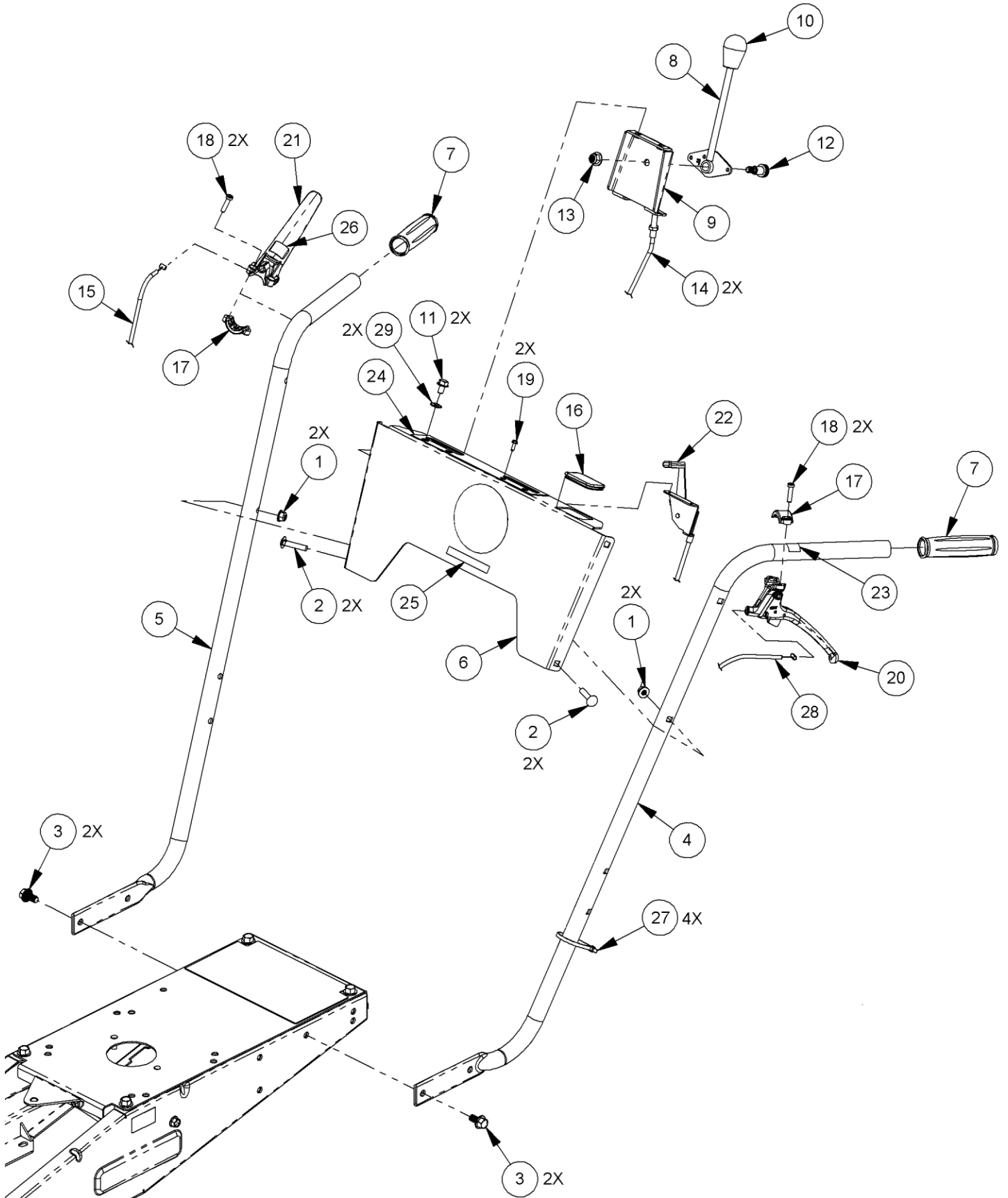
### Parts List - HANDLEBAR ASSEMBLY

*NOTE: Part numbers listed are available through DR Power Equipment.*

<u>Ref#</u>	<u>Part#</u>	<u>Description</u>	<u>Ref#</u>	<u>Part#</u>	<u>Description</u>
1	333321	Nut, Nylon Lock, Flanged, 5/16-18	16	151311	Plug, Hour Meter Hole, 2" X 1-1/4"
2	109131	Bolt, Carr, 5/16-18 X 1.5, ZP	17	370511	Collar, Lever, 1", Threaded
3	352811	Bolt, Hex, Flange, Tri Lobe, 3/8-16 X 3/4, GR5 ZP	18	179231	Screw, SHCS, M6-1 X 25mm
4	389231	Handlebar, Left W/Label	19	150491	Screw, 8-32 X 1/2"
5	344291	Handlebar, Right	20	388901	Lever, Blade Engagement, Zero Lock, 160mm
6	388861	Control Panel, W/Labels	21	389241	Lever, Traction Drive, W/ Label
7	164961	Grip, 1.00"	22	353171	Cable, Throttle, 61" (10.5 B&S)
8	A0000253527	Lever, Shift		139051	Cable, Throttle, 50" (13.3 RATO)
9	A0000253528	Mount, Shift Lever	23	385121	Label, Blade Engagement, Lever
10	150361	Knob, Shift Lever	24	377511	Label, Control Panel
11	111731	Bolt, HCS, Serrated Flange 5/16-18 X .50"	25	A0000166159	Label, Premier 26
12	352901	Bolt Shoulder, 1/2" X 5/8" L, 3/8-16	26	370551	Label, Traction Drive
13	333331	Nut, Nylon Lock, Flanged, 3/8-16	27	112141	Cable Tie, 7-1/2" Long
14	351311	Cable, Shift	28	377311	Cable, Blade Engage
15	351181	Cable, Traction Drive	29	112381	Washer, Flat, 1/4"

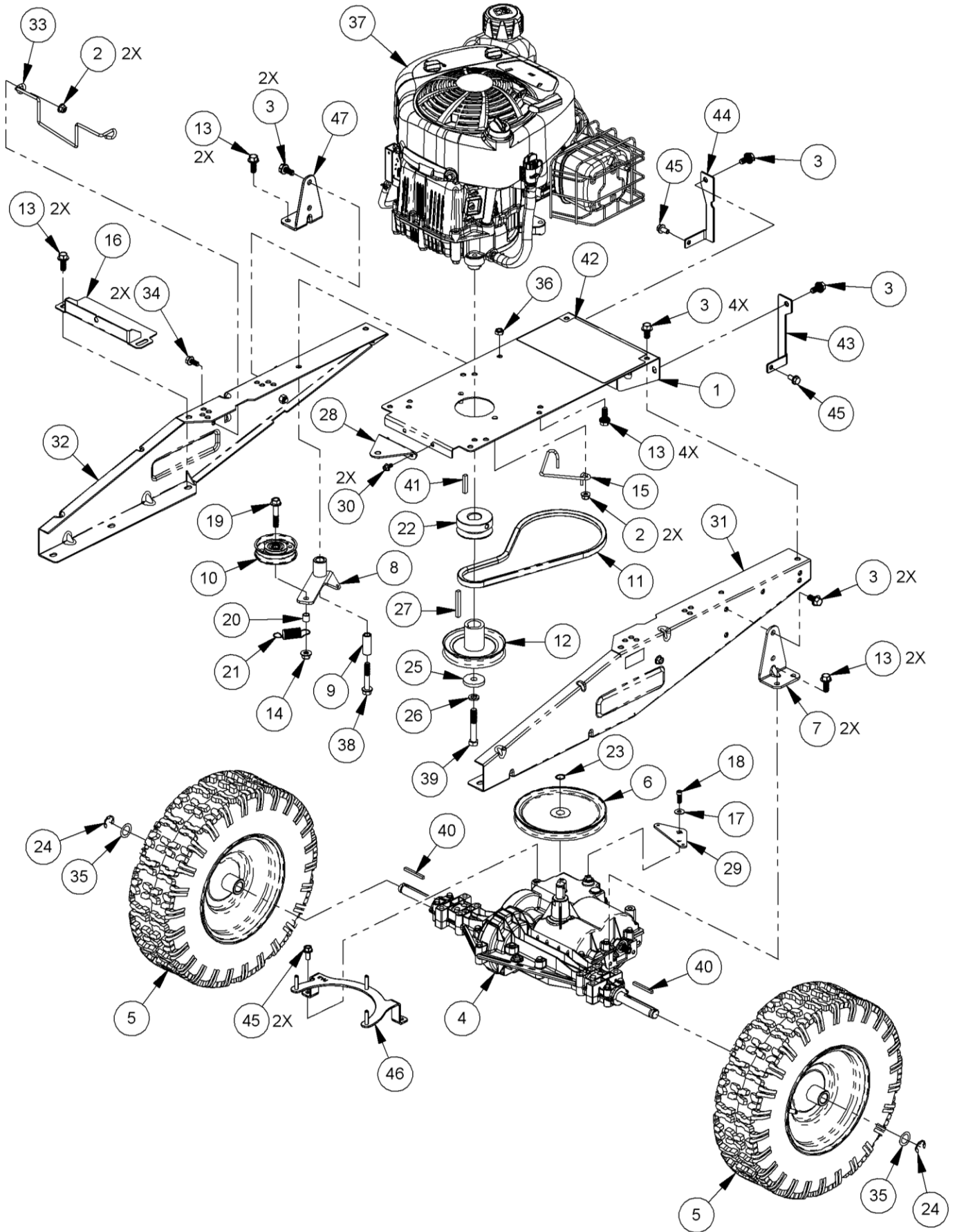


**Schematic – HANDLEBAR ASSEMBLY**





**Schematic – DRIVE ASSEMBLY**

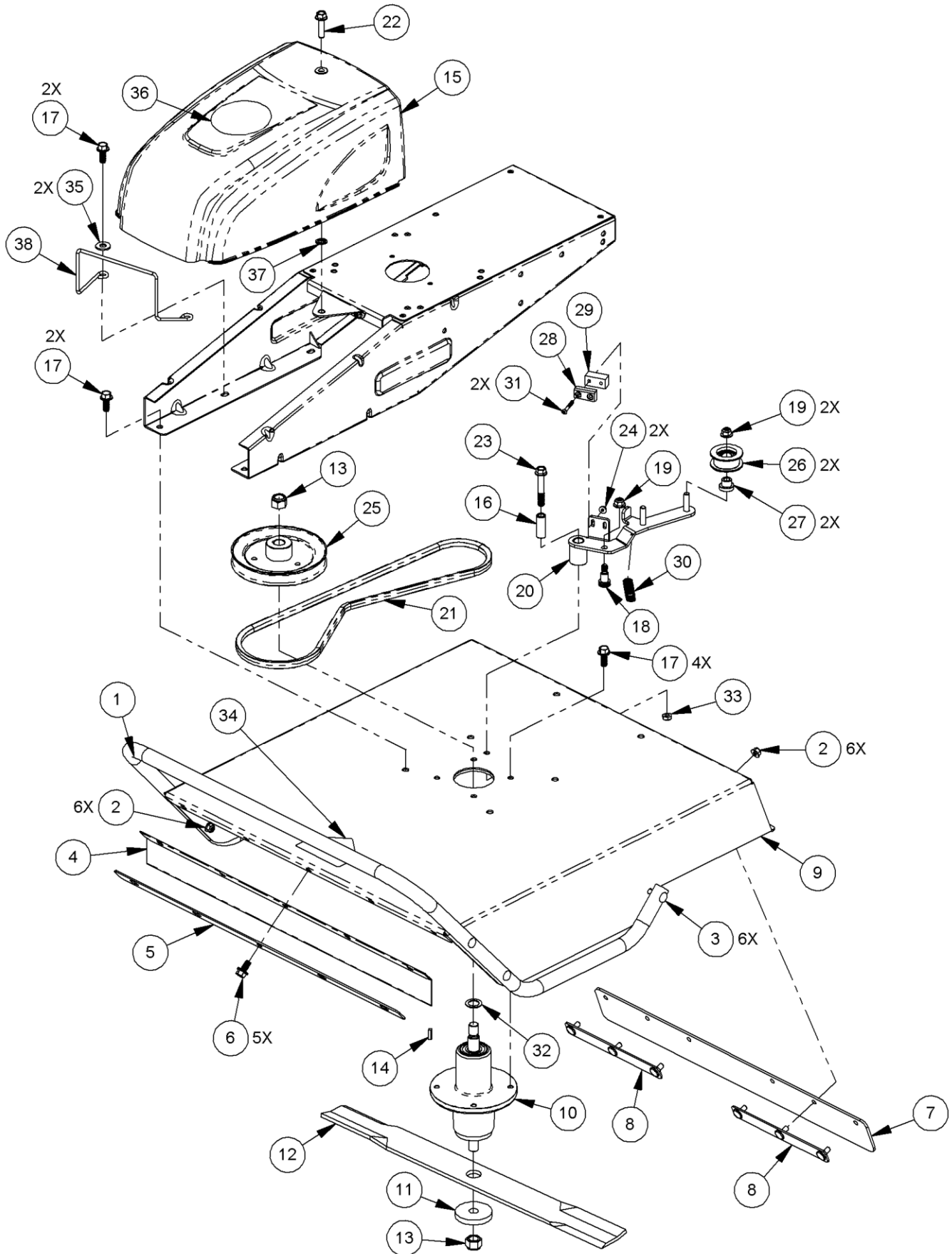


## Parts List – BRUSH DECK ASSEMBLY

**NOTE:** Part numbers listed are available through DR Power Equipment.

Ref#	Part#	Description	Ref#	Part#	Description
1	344251	Brush Bar, 26"	21	370611	Belt, AK50, 1/2" X 52"
2	333321	Nut, Nylon Lock, Flanged, 5/16-18	22	344071	Bolt, Hex, Flange, 3/8-16 X 1.5", GR5, ZP
3	109131	Bolt, Carr, 5/16-18 X 1.5", ZP		333511	Bolt, Hex, Flange, 3/8-16 X 1.25" (CE)
4	364181	Guard, Front, 26"	23	333481	Bolt, Hex, Flange, 3/8-16 X 2.5"
5	366161	Strap, Skirt, Mounting, 26"	24	350381	Nut, Nylon Lock, Flanged, 10-24
6	352811	Bolt, Hex, Flange, Tri Lobe, 3/8-16 X 3/4", GR5, ZP	25	247321	Pulley
7	353161	Guard, Deck, 26in, Rubber	26	350471	Pulley, Idler, B V-Belt, 1.75" ID
8	A0000253559	Plate, Stud, Guard	27	377381	Spacer, Bushing
9	370621	Deck, 26" W/ Labels	28	377451	Pad, Brake, Blade
10	344381	Spindle, Assembly	29	A0000389689	Spacer, Pad, Brake
11	101771	Washer, Blade	30	377391	Spring, Extension, .625" OD X 3" X .055" mw", SST
12	100481	Blade, Brush, 26"	31	389251	10-24 X 1.5", SHCS
13	160071	Nut, Nylon Lock, 5/8-18, GR.2, ZP	32	129691	Shim, .75" ID, 1.125" OD, .06" L, ZP
14	119141	Key, Sq, 3/16" X 1"	33	164131	Nut, Nylon Lock, 3/8-16, Low Profile
15	377331	Guard, Belt, W/ Labels	34	136491	Label, Danger
16	151111	Bushing, 0.390" ID X 0.620" OD X 1.585" L	35	112391	Washer, Flat, 3/8", USS
17	289901	Bolt, Hex, Flange, Tri Lobe, 3/8-16 X 1", GR5 ZP	36	A0000166145	Label, DR Logo, 4"
18	352901	Bolt Shoulder, 1/2" X 5/8"L, 3/8-16	37	391381	Nut, Push, 3/8"
19	333331	Nut, Nylon Lock, Flanged, 3/8-16	38	394611	Guide, Belt, Wire Form, Brush Deck
20	394601	Idler Arm, Brush Deck, Double Pulley			

**Schematic – BRUSH DECK ASSEMBLY**



*Notes:*

# DR<sup>®</sup> FIELD and BRUSH MOWER



## 2-Year Limited Warranty

### Terms and Conditions

The DR<sup>®</sup> FIELD AND BRUSH MOWER is warranted for two (2) years against defects in materials or workmanship when put to ordinary and normal consumer use; ninety (90) days for any other use.

For the purposes of all the above warranties, "ordinary and normal consumer use" refers to non-commercial residential use and does not include misuse, accidents or damage due to inadequate maintenance.

DR Power Equipment certifies that the DR<sup>®</sup> FIELD AND BRUSH MOWER is fit for ordinary purposes for which a product of this type is used. DR Power Equipment however, limits the implied warranties of merchantability and fitness in duration to a period of two (2) years in consumer use, ninety (90) days for any other use.

The 2-Year Limited Warranty on the DR<sup>®</sup> FIELD AND BRUSH MOWER starts on the date the machine ships from our factory. The 2-Year Limited Warranty is applicable only to the original owner.

The warranty holder is responsible for the performance of the required maintenance as defined by the manufacturer's owner's manuals. The warranty holder is responsible for replacement of normally wearing parts such as the Drive Belts, Blade, Filters (Air and Oil), Battery and Spark Plug. Accessories to the machine are not covered by this warranty.

During the warranty period, the warranty holder is responsible for the machine transportation charges, if required. During the warranty period, warranty parts will be shipped by standard method at no charge to the warranty holder. Expedited shipping of warranty parts is the responsibility of the warranty holder.

SOME STATES DO NOT ALLOW LIMITATIONS ON THE LENGTH OF IMPLIED WARRANTIES, SO THE ABOVE LIMITATIONS MAY NOT APPLY TO YOU.

DR Power Equipment shall not be liable under any circumstances for any **incidental or consequential damages or expenses** of any kind, including, but not limited to, cost of equipment rentals, loss of profit, or cost of hiring services to perform tasks normally performed by the DR<sup>®</sup> FIELD AND BRUSH MOWER.

SOME STATES DO NOT ALLOW THE EXCLUSION OR LIMITATION OF INCIDENTAL OR CONSEQUENTIAL DAMAGES, SO THE ABOVE LIMITATIONS MAY NOT APPLY TO YOU.

THIS WARRANTY GIVES YOU SPECIFIC LEGAL RIGHTS, AND YOU ALSO HAVE OTHER RIGHTS, WHICH VARY FROM STATE TO STATE.

## Daily Checklist for the DR FIELD and BRUSH MOWER

### WARNING

Shut down the engine, remove the spark plug wire and wait 5 minutes before performing any maintenance procedure or inspection on the Mower.

To help maintain your DR FIELD and BRUSH MOWER for optimum performance, we recommend you follow this checklist each time you use your Mower.

- [ ] OIL: With the machine on a level surface, check the Engine oil level with the Dipstick and add more if necessary (only add oil to the level indicated on the Dipstick - do not overfill). Use SAE 30 high detergent motor oil.
- [ ] GAS: Fill the gas tank with clean, fresh, unleaded gasoline.
- [ ] TIRES: Check Tire Pressure
- [ ] ENGINE AIR COOLING SYSTEM: It is very important to keep the Engine clean of debris. Remove grass and other built-up materials from the Air Intake Screen before, during, and after you mow. Regularly remove debris from the Blower Housing and Cooling Fins. A dirty Engine retains heat and can cause damage to the internal Engine parts.
- [ ] BELTS: Check the Belts for wear, proper alignment and tension.
- [ ] BLADE: Check the Blade for tightness, nicks and wear. Remove any wrapped weeds and grass from the Blade Bearing Housing to prevent buildup.
- [ ] GENERAL CONDITION: Check the general condition of the machine, e.g.; nuts, bolts, welds etc.

## End of Season and Storage

### WARNING

Shut down the engine, remove the spark plug wire and wait 5 minutes before performing any maintenance procedure or inspection on the Mower.

**Note:** Please refer to the Engine Owner's Manual for engine-specific procedures.

- Change the oil.
- Remove the Spark Plug and pour about 1 ounce of motor oil into the Cylinder hole. Replace the Plug and pull the Recoil Starter Rope until you feel strong resistance. This will coat the piston and seat the valves to prevent moisture buildup.
- Clean/replace the Air Filter(s).
- Clean dirt and debris from the Cylinder Head Cooling Fins, Blower Housing, Debris Screen, and Muffler area of the Engine.
- If your Engine has a Fuel Filter, replace it.
- If your DR FIELD and BRUSH MOWER will be idle for more than 30 days, we recommend using a gas stabilizer. This will prevent sediment from gumming up the Carburetor. If there is dirt or moisture in the gas or tank, remove it by draining the tank. Completely fill the tank with fresh, unleaded gas and add the appropriate amount of stabilizer or gasoline additive. Run the Engine for a short time to allow the additive to circulate.
- Remove any wrapped weeds from the Blade Bearing Housing. Clean grass and debris from the top and underneath the mower Deck with a stiff brush.
- Check the Blade for nicks and wear. Remove the Blade and sharpen or have it professionally sharpened if needed.
- Perform the lubrication as outlined on page 16.



800 HINESBURG ROAD, SOUTH BURLINGTON, VERMONT 05403