

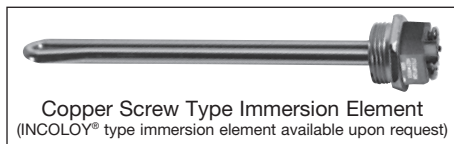
Residential Utility Electric Water Heater



Photo is of
RE112U6

The Utility Electric Models Feature:

- **Fully Automatic Controls**—Fast acting surface-mount thermostat with high limit energy cut-off (manual reset) for safety.
- **Direct Heat Transfer With a Single Immersed Element**—Transfers heat directly and efficiently to the water. Screw-in style element.
- **Vitraglas[®] Lining**—An exclusively engineered enamel formula that provides superior tank protection from the highly corrosive effects of hot water. This formula (Vitraglas[®]) is fused to the steel surface by firing at a temperature of over 1600°F (871°C).
- **Insulation System**—1" (25mm) Non-CFC foam insulation covers the sides and top of the tank, reducing heat loss. This results in less energy consumption, improved efficiencies, and jacket rigidity.
- **Water Connections**—3/4" (19mm) NPT factory-installed true dielectric fittings extend water heater life and simplify water line connections. Located on the side for easier installation (Fittings packaged separately inside carton).
- **Protective Anode Rod**—Provides added protection against corrosion for long-term, trouble-free service.
- **Voltages Available**—120V, 208V, 240V, 277V, 480V.
- **Single Phase Operation Only.**
- **T&P Relief Valve**—Installed.
- **Design evaluated by UL[®] in accordance with Part 280.707(d) of HUD Mobile Home Construction and Safety Standards for Energy Efficiency.**



6 or 10-Year Limited Tank Warranties / 6 or 10-Year Limited Warranty on Component Parts.

For more information on warranty, please visit www.bradfordwhite.com

For products installed in USA, Canada, and Puerto Rico. Some states do not allow limitations on warranties. See complete copy of the warranty included with the heater.

Residential Utility Electric Water Heater

Utility Models

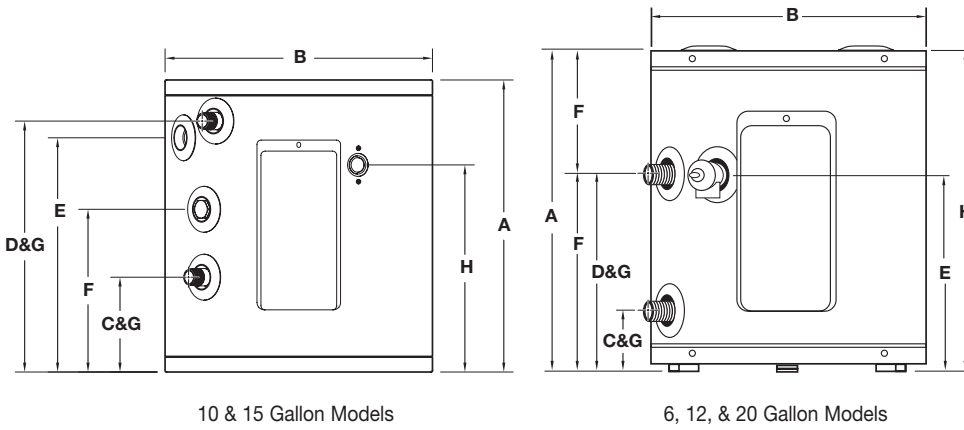
C.E.C. Listed

Model Number	Nominal Gal. Capacity		Recovery at 90°F Rise*		A Floor to Heater Top in.	B Jacket Dia. in.	C Floor to Cold Water Conn. in.	D Floor to Hot Water Conn. in.	E Floor to T&P Conn. in.	F Floor to Anode Rod in.	G Water Conn. NPT in.	H Floor to Electrical Access in.	Approx. Shipping Weight lbs.
	U.S. Gal.	Imp. Gal.	U.S. GPH	Imp. GPH									
RE16U6†	6	5	7	6	16 ³ / ₁₆	14	2 ³ / ₄	9 ³ / ₄	9 ³ / ₄	N/A	3/4	16 ³ / ₁₆	35
RE110U6	10	8	7	6	17 ⁷ / ₁₆	16	5 ⁵ / ₈	14 ¹⁵ / ₁₆	13 ¹⁵ / ₁₆	9 ⁵ / ₈	3/4	12	44
RE112U6	12	10	7	6	16 ¹⁵ / ₁₆	18	2 ³ / ₄	9 ³ / ₄	9 ³ / ₄	N/A	3/4	16 ¹⁵ / ₁₆	53
RE112T6†	12	10	7	6	27 ⁵ / ₁₆	14	2 ³ / ₄	20 ⁵ / ₈	20 ⁵ / ₈	N/A	3/4	27 ⁵ / ₁₆	48
RE115U6	15	13	7	6	20 ³ / ₁₆	18	6 ¹ / ₁₆	17 ¹¹ / ₁₆	16 ¹¹ / ₁₆	10 ¹ / ₁₆	3/4	12 ⁷ / ₁₆	58
RE120U6	19	16	7	6	24 ⁷ / ₁₆	18	2 ³ / ₄	18 ³ / ₁₆	18 ³ / ₁₆	N/A	3/4	24 ⁷ / ₁₆	65

Model Number	Nominal Liter Capacity	Recovery at 50°C Rise*		A Floor to Heater Top mm.	B Jacket Dia. mm.	C Floor to Cold Water Conn. mm.	D Floor to Hot Water Conn. mm.	E Floor to T&P Conn. mm.	F Floor to Anode Rod mm.	G Water Conn. NPT mm.	H Floor to Electrical Access mm.	Approx. Shipping Weight kg.
		Liters/Hour										
RE16U6†	23	26		411	356	70	248	248	N/A	19	411	16
RE110U6	38	26		443	404	143	380	354	244	19	305	20
RE112U6	45	26		438	457	70	248	248	N/A	19	430	24
RE112T6†	45	26		694	356	70	524	524	N/A	19	694	22
RE115U6	57	26		513	457	154	450	424	256	19	316	26
RE120U6	72	26		621	457	70	462	462	N/A	19	621	29

† Maximum wattage at any voltage is 3000W.
 For 10 year models, change suffix "6" to "10".
 Single element only.
 * Based on 1500W operation.

Wattage	Recovery GPH Temperature Rise °F				
	60	80	90	100	120
1500W	10	8	7	6	5
2000W	14	10	9	8	7
2500W	17	13	11	10	9
3000W	21	15	14	12	10
3500W	24	18	16	14	12
4000W	28	21	18	16	14
4500W	31	23	21	19	15
5000W	34	26	23	21	17
5500W	38	29	25	23	19
6000W	41	31	28	25	21



Wattage Limitations	Voltage				
	120V	208V	240V	277V	480V
1500W	yes	yes	yes	yes	yes
2000W	yes	yes	yes	yes	yes
2500W	yes	yes	yes	yes	yes
3000W	yes	yes	yes	yes	yes
3500W	no	yes	yes	no	no
4000W	no	yes	yes	yes	yes
4500W	no	yes	yes	yes	yes
5000W	no	yes	yes	yes	yes
5500W	no	yes	yes	no	no
6000W	no	yes	yes	yes	yes

General:

All models are exempt from NAECA requirements and ASHRAE Standard 90.1b. All models UL® listed. These heaters are wired Single Phase, 120V with one 1500W element, unless otherwise specified. All water and electrical connections are 3/4" (19mm) NPT. All models certified at 300 PSI test pressure (2068 kPa) and 150 PSI working pressure (1034 kPa). Applicable models CSA-verified for energy performance in accordance with C191.1-M90.

Dimensions and specifications subject to change without notice in accordance with our policy of continuous product improvement.

— BRADFORD WHITE IS —



Sales: 800-523-2931 ■ Fax 215-641-1612

24/7 Technical Support: 800-334-3393 ■ Email techserv@bradfordwhite.com

Products made by Bradford White are manufactured in the United States using the finest raw materials and components from around the world.

Built to be the Best®