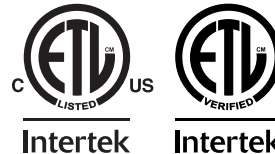


INSTALLATION AND SERVICE MANUAL

gas-fired unit heaters

model HD and HDB



All models approved for use in California by the CEC and in Massachusetts. Unit heater is certified for residential and commercial applications. These unit heaters are certified as Utility heaters and are intended for the heating of non-living spaces that are attached to, adjacent to, or part of a structure that contains space for family living quarters. They are not intended to be the primary source of heat in residential applications.

WARNING

1. Improper installation, adjustment, alteration, service, or maintenance can cause property damage, injury, or death, and could cause exposure to substances which have been determined by various state agencies to cause cancer, birth defects, or other reproductive harm. Read the installation, operating, and maintenance instructions thoroughly before installing or servicing this equipment.
2. Do not locate ANY gas-fired units in areas where chlorinated, halogenated, or acid vapors are present in the atmosphere. These substances can cause premature heat exchanger failure due to corrosion, which can cause property damage, serious injury, or death.

IMPORTANT

The use of this manual is specifically intended for a qualified installation and service agency. All installation and service of these units must be performed by a qualified installation and service agency.

FOR YOUR SAFETY

WHAT TO DO IF YOU SMELL GAS:

1. Open windows.
2. Do not try to light any appliance.
3. Do not touch any electrical switch; do not use any phone in your building.
4. Immediately call your gas supplier from a neighbor's phone. Follow the gas supplier's instructions. If you can not reach your gas supplier, call your fire department.

FOR YOUR SAFETY

The use and storage of gasoline or other flammable vapors and liquids in open containers in the vicinity of this appliance is hazardous.

Inspection on Arrival

1. Inspect unit upon arrival. In case of damage, report it immediately to the transportation company and your local Modine sales representative.
2. Check rating plate on unit to verify that power supply meets available electric power at the point of installation.
3. Inspect unit upon arrival for conformance with description of product ordered (including specifications where applicable).

Table of Contents

Inspection on Arrival	1
Special Precautions	2
SI (Metric) Conversion Factors	3
Before You Begin	3
Unit Location	4
Combustible Material and Service Clearances	4
Unit Mounting	5
Unit Installation	5
Venting	6
Gas Connections	12
High-Altitude Accessory Kit	13
Electrical	15
Wiring/Blower Speed Adjustment	16
Operation	17
Unit Components	18
Dimensions	19
Service/Troubleshooting	20
Unit Wiring Diagram	21
Model/Serial Number/Replacement Parts	22
Commercial Warranty	23-24

SPECIAL PRECAUTIONS

SPECIAL PRECAUTIONS

THE INSTALLATION AND MAINTENANCE INSTRUCTIONS IN THIS MANUAL MUST BE FOLLOWED TO PROVIDE SAFE, EFFICIENT, AND TROUBLE-FREE OPERATION. IN ADDITION, PARTICULAR CARE MUST BE EXERCISED REGARDING THE SPECIAL PRECAUTIONS LISTED BELOW. FAILURE TO PROPERLY ADDRESS THESE CRITICAL AREAS COULD RESULT IN PROPERTY DAMAGE OR LOSS, PERSONAL INJURY, OR DEATH. THESE INSTRUCTIONS SUBJECT TO ANY MORE RESTRICTIVE LOCAL OR NATIONAL CODES.

HAZARD INTENSITY LEVELS

1. **DANGER:** Indicates an imminently hazardous situation which, if not avoided, WILL result in death or serious injury.
2. **WARNING:** Indicates a potentially hazardous situation which, if not avoided, COULD result in death or serious injury.
3. **CAUTION:** Indicates a potentially hazardous situation which, if not avoided, MAY result in minor or moderate injury.
4. **IMPORTANT:** Indicates a situation which, if not avoided, MAY result in a potential safety concern.

DANGER

Appliances must not be installed where they may be exposed to a potentially explosive or flammable atmosphere.

WARNING

1. Gas fired heating equipment must be vented - do not operate unvented.
2. A built-in power exhauster is provided - additional external power exhausters are not required or permitted.
3. If an existing heater is being replaced, it may be necessary to resize the venting systems. Improperly sized venting systems can result in vent gas leakage or the formation of condensate. Refer to the National Fuel Gas Code ANSI Z223.1 (NFPA 54) or CSA-B149.1 - latest edition. Failure to follow these instructions can result in injury or death.
4. Under no circumstances should two sections of double wall vent pipe be joined together within one horizontal vent system due to the inability to verify complete seal of inner pipes.
5. All field gas piping must be pressure/leak tested prior to operation. Never use an open flame. Use a soap solution or equivalent for testing.
6. Gas pressure to appliance controls must never exceed 14" W.C. (1/2 psi).
7. To reduce the opportunity for condensation, the minimum sea level input to the appliance, as indicated on the serial plate, must not be less than 5% below the rated input, or 5% below the minimum rated input of dual rated units.
8. Disconnect power supply before making wiring connections to prevent electrical shock and equipment damage.
9. All appliances must be wired strictly in accordance with wiring diagram furnished with the appliance. Any wiring different from the wiring diagram could result in a hazard to persons and property.
10. Any original factory wiring that requires replacement must be replaced with wiring material having a temperature rating of at least 105°C.
11. Ensure that the supply voltage to the appliance, as indicated on the serial plate, is not 5% greater than the rated voltage.
12. When servicing or repairing this equipment, use only factory-approved service replacement parts. A complete replacements parts list may be obtained by contacting the factory. Refer to the rating plate on the appliance for complete appliance model number, serial number, and company address. Any substitution of parts or controls not approved by the factory will be at the owner's risk.

CAUTION

1. All literature shipped with this unit should be kept for future use for servicing or service diagnostics. Do not discard any literature shipped with this unit.
2. Consult piping, electrical, and venting instructions in this manual before final installation.
3. Do not attach ductwork, air filters, or polytubes to any propeller unit heater.
4. Clearances to combustible materials are critical. Be sure to follow all listed requirements.
5. Do not locate units in tightly sealed rooms or small compartments (commonly referred to as confined spaces) without provisions for adequate combustion air and venting. Combustion air must have access to the confined space through a minimum of two permanent openings in the enclosure, at least one near the bottom. They should provide a free area of one square inch per 1,000 BTU/Hr input rating of the unit with a minimum of 100 square inches for each opening, whichever is greater.
6. Low profile heaters are designed for use in heating applications with ambient startup temperatures between -40°F and 90°F, and ambient operating temperatures between 40°F and 90°F.
7. Do not install unit outdoors.
8. In garages or other sections of aircraft hangars, such as offices and shops that communicate with areas used for servicing or storage, keep the bottom of the unit at least 7' above the floor unless the unit is properly guarded to provide user protection from moving parts. In parking garages, the unit must be installed in accordance with the standard for parking structures ANSI/NFPA 88A latest edition, and in repair garages the standard for repair garages NFPA 30A - latest edition (Formerly NFPA 88B). In Canada, installation of heaters in airplane hangars must be in accordance with the requirements of the enforcing authority, and in public garages in accordance with the current CSA-B149 codes.
9. In aircraft hangars, keep the bottom of the unit at least 10' from the highest surface of the wings or engine enclosure of the highest aircraft housed in the hangars and in accordance with the requirements of the enforcing authority and/or NFPA 409 - latest edition.
10. Installation of units in high humidity or salt water atmospheres will cause accelerated corrosion, resulting in a reduction of the normal life of the units.
11. Do not install units below 7' measured from the bottom of the unit to the floor in commercial applications (unless unit is properly guarded to provide user protection from moving parts) and 5' measured from the bottom of the unit to the floor in residential applications.
12. Be sure no obstructions block air intake and discharge of unit heaters.
13. The minimum distance from combustible material is based on the combustible material surface not exceeding 160°F. Clearance from the top of the unit may be required to be greater than the minimum specified if heat damage, other than fire, may occur to materials above the unit heater at the temperature described.
14. Allow 18" of clearance at rear (or 6" beyond end of motor at rear of unit, whichever is greater) and access side to provide ample air for combustion and proper operation of fan.
15. Installation must conform with local building codes or in the absence of local codes, with the National Fuel Gas Code, ANSI Z223.1 (NFPA 54) - latest edition. In Canada, installation must be in accordance with CSA-B149.1.
16. Purging of air from gas supply line should be performed as described in the National Fuel Gas Code, ANSI Z223.1 (NFPA 54) - latest edition. In Canada, installation must be in accordance with CSA-B149.1.

SPECIAL PRECAUTIONS / SI (METRIC) CONVERSION FACTORS

⚠ CAUTION

17. When leak testing the gas supply piping system, the appliance and its combination gas control must be isolated during any pressure testing in excess of 14" W.C. (1/2 psi).
18. The unit should be isolated from the gas supply piping system by closing its field installed manual shut-off valve. This manual shut-off valve should be located within 6' of the heater.
19. Turn off all gas before installing appliance.
20. Ensure that the supply voltage to the appliance, as indicated on the serial plate, is not less than 5% below the rated voltage.
21. Check the gas inlet pressure at the unit upstream of the combination gas control. The inlet pressure should be 6-7" W.C. on natural gas or 11-14" W.C. on propane. If inlet pressure is too high, install an additional pressure regulator upstream of the combination gas control.
22. Service or repair of this equipment must be performed by a qualified service agency.
23. Do not attempt to reuse any mechanical or electronic ignition controllers which has been wet. Replace defective controller.

IMPORTANT

1. To prevent premature heat exchanger failure, do not locate ANY gas-fired appliances in areas where corrosive vapors (i.e. chlorinated, halogenated, or acidic) are present in the atmosphere.
2. To prevent premature heat exchanger failure, the input to the appliance as indicated on the serial plate must not exceed the rated input by more than 5%.
3. To check most of the Possible Remedies in the troubleshooting guide listed in Table 20.1, refer to the applicable sections of the manual.

SI (METRIC) CONVERSION FACTORS

To Convert	Multiply By	To Obtain
"W.C.	0.249	kPa
°F	(°F-32) x 5/9	°C
Btu	1.06	kJ
Btu/ft ³	37.3	kJ/m ³
Btu/hr	0.000293	kW
CFH (ft ³ /hr)	0.000472	m ³ /min
CFH (ft ³ /hr)	0.00000787	m ³ /s
CFM (ft ³ /min)	0.0283	m ³ /min
CFM (ft ³ /min)	0.000472	m ³ /s

To Convert	Multiply By	To Obtain
feet	0.305	m
Gal/Hr.	0.00379	m ³ /hr
Gal/Hr.	3.79	l/hr
gallons	3.79	l
Horsepower	746	W
inches	25.4	mm
pound	0.454	kg
psig	6.89	kPa
psig	27.7	"W.C.

BEFORE YOU BEGIN

⚠ CAUTION

1. All literature shipped with this unit should be kept for future use for servicing or service diagnostics. Leave manual with the owner. Do not discard any literature shipped with this unit.
2. Consult piping, electrical, and venting instructions in this manual before final installation.
3. Do not attach ductwork, air filters, or polytubes to any propeller unit heater.

In the U.S., the installation of these units must comply with the National Fuel Gas Code, ANSI Z223.1 - latest edition (also known as NFPA 54) and other applicable local building codes. In Canada, the installation of these units must comply with local plumbing or waste water codes and other applicable codes and with the current code CSA-B149.1.

1. All installation and service of these units must be performed by a qualified installation and service agency only as defined in ANSI Z223.1 (NFPA 54) - latest edition, or in Canada by a licensed gas fitter.
2. This unit is certified with the controls furnished. For replacements parts, please order according to the replacement parts list on serial plate. Always know your model and serial numbers. Modine reserves the right to substitute other authorized controls as replacements.
3. Unit is balanced for correct performance. Do not alter fan or operate motors at reduced speed.
4. Information on controls is supplied separately.
5. The same burner is used for natural and propane gas.

UNIT LOCATION

UNIT LOCATION

DANGER

Appliances must not be installed where they may be exposed to a potentially explosive or flammable atmosphere.

CAUTION

1. Clearances to combustible materials are critical. Be sure to follow all listed requirements.
2. Do not locate units in tightly sealed rooms or small compartments (commonly referred to as confined spaces) without provisions for adequate combustion air and venting. Combustion air must have access to the confined space through a minimum of two permanent openings in the enclosure, at least one near the bottom. They should provide a free area of one square inch per 1,000 BTU/Hr input rating of the unit with a minimum of 100 square inches for each opening, whichever is greater.
3. Low profile heaters are designed for use in heating applications with ambient startup temperatures between -40°F and 90°F, and ambient operating temperatures between 40°F and 90°F.
4. Do not install unit outdoors.
5. In garages or other sections of aircraft hangars such as offices and shops that communicate with areas used for servicing or storage, keep the bottom of the unit at least 7' above the floor unless the unit is properly guarded. In parking garages, the unit must be installed in accordance with the standard for parking structures ANSI/NFPA 88A-latest edition, and in repair garages the standard for repair garages NFPA 30A - latest edition (Formerly NFPA 88B). In Canada, installation of heaters in airplane hangars must be in accordance with the requirements of the enforcing authority, and in public garages in accordance with the current CSA-B149 codes.
6. In aircraft hangars, keep the bottom of the unit at least 10' from the highest surface of the wings or engine enclosure of the highest aircraft housed in the hangars and in accordance with the requirements of the enforcing authority and/or NFPA 409 - latest edition.
7. Installation of units in high humidity or salt water atmospheres will cause accelerated corrosion, resulting in a reduction of the normal life of the units.

IMPORTANT

To prevent premature heat exchanger failure, do not locate ANY gas-fired appliances in areas where corrosive vapors (i.e. chlorinated, halogenated or acid) are present in the atmosphere.

Location Recommendations

1. When locating the heater, consider general space and heating requirements, availability of gas and electrical supply, and proximity to vent locations.
2. When locating units, it is important to consider that the exhaust vent piping must be connected to the outside atmosphere.
3. Be sure the structural support at the unit location site is adequate to support the unit's weight. For proper operation the unit must be installed in a level horizontal position.
4. Do not install units in locations where the flue products can be drawn into the adjacent building openings such as windows, fresh air intakes, etc.

Table 4.1 Clearances

Unit Side	Clearance to Combustible Material		Recommended Service Clearance
	HD	HDB	
Top and Bottom	1"	6"	18"
Access Side	1"	6"	18"
Non-Access Side	1"	6"	18"
Rear	18"	18"	18"
Vent Connector	4"	4"	18"

5. Be sure that the minimum clearances to combustible materials and recommended service clearances are maintained. Units are designed for installation with the minimum clearances as shown in Table 4.1.
6. Do not install units in locations where the gas ignition system is exposed to water spray, rain, or dripping water.
7. Mounting height (measured from bottom of unit) at which unit heaters are installed is critical. Refer to mounting height and heat throw data on page 18 of this manual. The maximum mounting height for any unit is that height above which the unit will not deliver heated air to the floor.

Combustion Air Requirements

The National Fuel Gas Code defines an "unconfined space" as a space whose volume is greater than 50 cubic feet per 1,000 Btu/Hr input of the installed appliance(s). A confined space is 50 cubic feet or less per 1,000 Btu/Hr input of the installed appliance(s).

It is not recommended to install these unit heaters into residential confined spaces. This recommendation is due to the concern that at some point in time, the combustion air openings provided by the installer may become blocked or eliminated by the owner, either intentionally or unintentionally. Despite this recommendation, if these units are installed into a residential confined space, see National Fuel Gas Code ANSI Z223.1 (NFPA 54) or CSA-B149.1 Installation Code - latest edition, for detailed combustion air provisions. The installation must adhere to these requirements.

Units installed in confined spaces in industrial/commercial installations must be provided with two permanent openings - one near the top and one near the bottom of the confined space. Each opening should have a free area of not less than one square inch per 1,000 Btu/Hr of the total input rating of all units in the confined space, freely communicating with interior areas that have adequate infiltration from the outside.

For further details on supplying combustion air to a confined (tightly sealed) space or unconfined space, see the National Fuel Gas Code ANSI Z223.1 (NFPA 54) or CSA-B149.1 Installation Code - latest edition.

Turning The Unit 180° (Model Sizes 30-75 Only)

All units are produced at the factory with left-side controls (when looking at the unit). If the installation requires the controls to be on the right side, all heaters - with the exception of the HD/HDB 100 and 125 - can be turned over by following the instructions below.

- By turning the unit 180° from the way it was received from the factory, the sides become opposite, but the front and back remain in the same relative position. The bottom panel now becomes the top panel and vice-versa.
- Remove the access panel, turn it 180°, and re-attach it to the unit so that all the information labels can be read.
- Remove the spring loaded deflector blades, turn them over, replace, and adjust so they are open and in a position to direct the heated air down to the floor.

UNIT MOUNTING

CAUTION

1. Do not install units below 7' measured from the bottom of the unit to the floor in commercial applications (unless unit is properly guarded to provide user protection from moving parts) and 5' measured from the bottom of the unit to the floor in residential applications.
2. Be sure no obstructions block air intake and discharge of unit heaters.
3. The minimum distance from combustibile material is based on the combustibile material surface not exceeding 160°F. Clearance from the top of the unit may be required to be greater than the minimum specified if heat damage, other than fire, may occur to materials above the unit heater at the temperature described.
4. Allow 18" clearance at rear (or 6" beyond end of motor at rear of unit, whichever is greater) and access side to provide ample air for combustion and proper operation of fan.

1. Be sure the means of suspension is adequate to support the weight of the unit (see page 19 for unit weights).
2. For proper operation, the unit must be installed in a level horizontal position.
3. Clearances to combustibles as previously specified must be strictly maintained.
4. For model sizes 30-75, before lifting the heater for suspension, the mounting brackets must be installed as follows (for bracket accessory installation on model sizes 100-125, see the latest revision of literature 6-594):
 - For standard (left side) control access, remove the 3 screws and mounting bracket along the top edge of both the front and back of the unit. Install the front bracket as shown in Figure 5.1 by aligning the screw holes on the bracket with the screw holes on the top edge of the unit. Repeat for the bracket on the back of the unit.
 - For right side control access, remove the 3 screws and mounting bracket along the top edge of both the front and back of the unit. Turn the unit over and install the front bracket as shown in Figure 5.2 by aligning the screw holes on the bracket with the screw holes on the top edge of the unit (originally the bottom edge). Repeat for the bracket on the back of the unit.
- 5a. **Suspension by screws/lag bolts:** Secure the mounting brackets to the ceiling joists or truss, using 1/4" screws with 1/2" washers. These unit mounting brackets are slotted to accommodate joists on 16" or 24" centerlines.

Figure 5.1 - Unit Heater in Standard Mounting Configuration (30-75 Units Only)

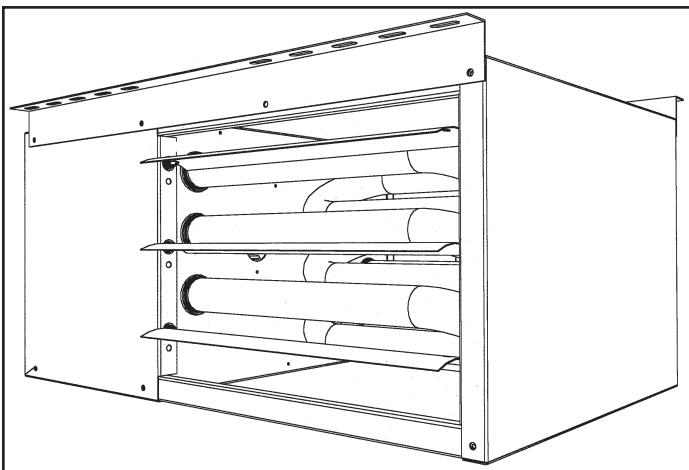
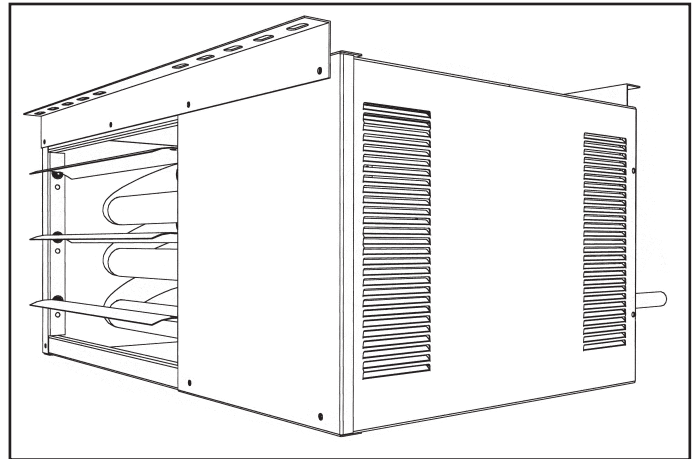
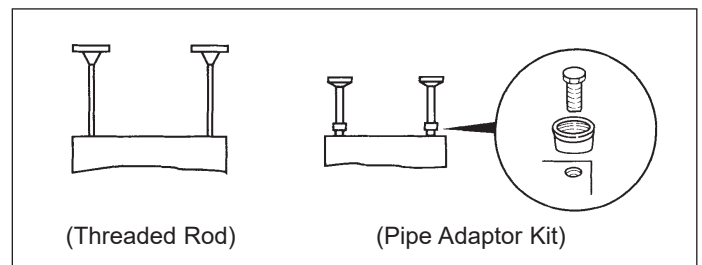


Figure 5.2 - Unit Heater Turned 180° (30-75 units only) (Access panel and heated air outlet change sides)



- 5b. **Suspension by threaded rod:** The unit can also be hung with threaded rod utilizing the same mounting brackets. Attach the threaded rod to the unit mounting brackets, securing with a top and bottom nut. For model sizes 100-125, the units are designed to be suspended by threaded rod without the use of brackets. On each piece of 3/8" threaded rod used, screw a nut a distance of about one inch onto the end of the threaded rods that will be screwed into the unit heater. Place a washer over the end of the threaded rod and screw the threaded rod into the unit heater weld nuts on the top of the heater at least 5 turns, and no more than 10 turns. Tighten the nut first installed onto the threaded rod to prevent the rod from turning.
Next, drill holes into a steel channel or angle iron at the same centerline dimensions as those chosen for the heater being installed. The steel channels or angle iron pieces need to span and be fastened to appropriate structural members. Cut the threaded rods to the preferred length, push them through the holes in the steel channel or angle iron and secure with washers and lock nuts, lock washers and nuts, or a washer with double nut arrangement.
NOTE: A pipe hanger adapter kit, shown in Figure 5.3, is available as an accessory. One kit consists of drilled 3/4" IPS pipe caps and 3/8" - 16 x 1-3/4" capscrews to facilitate threaded pipe suspension.
- 5c. **Shelf mounted units:** The unit heater can also be installed on a shelf. The mounting brackets will need to be attached to the heater the same manner as explained in note #4, however, to mount on a shelf the brackets must go on the bottom of the heater. The brackets must be affixed to the shelf using similar screws (1/4" screw with 1/2" washer) as overhead joist or truss mounting. Be sure all clearance to combustibile requirements are met.

Figure 5.3 - Unit Heater Suspension Methods



INSTALLATION - VENTING

⚠ WARNING

1. Gas fired heating equipment must be vented - do not operate unvented.
2. A built-in power exhauster is provided - additional external power exhausters are not required or permitted.
3. If an existing heater is being replaced, it may be necessary to resize the venting systems. Improperly sized venting systems can result in vent gas leakage or the formation of condensate. Refer to the National Fuel Gas Code ANSI Z223.1 (NFPA 54) or CSA-B149.1 Installation Code - latest edition. Failure to follow these instructions can result in serious injury or death.
4. Under no circumstances should two sections of double wall vent pipe be joined together within one horizontal vent system due to the inability to verify complete seal of inner pipes.

⚠ CAUTION

Installation must conform with local building codes or in the absence of local codes, with the National Fuel Gas Code, ANSI Z223.1 (NFPA 54) - latest edition. In Canada, installation must be in accordance with CSA B149.1.

Model HD/HDB unit heaters must be vented with the proper passageway as described in these instructions to convey flue gases from the unit or the vent connector to the outside atmosphere.

The venting instructions are organized in sections, based on installation type. The sections are identified as follows:

Instructions Section	Applicable Installation Instructions by Vent System Type
A	General instructions for ALL installations
B	VERTICAL Category I vent systems ①
C	HORIZONTAL Category III vent systems ②

① The difference between Vertical Category I and Horizontal Category III will be identified in "Section A - General Instructions - All Units".

Section A – General Instructions – All Units

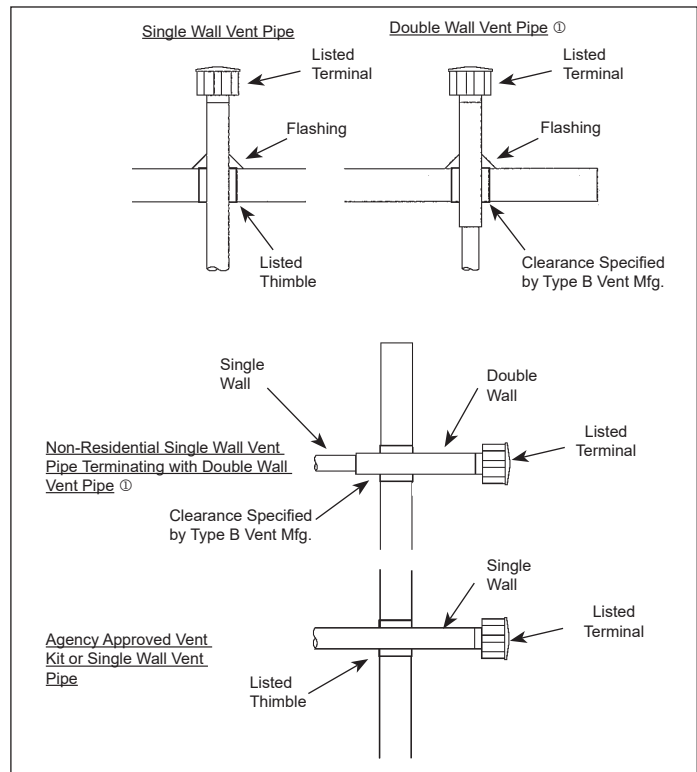
- A1. If the unit heater being installed is replacing existing equipment and using the existing vent system from that equipment, inspect the venting system for proper size and horizontal pitch, as required in the National Fuel Gas Code ANSI Z223.1 (NFPA 54) or CSA-B149.1 Installation Code-latest edition and these instructions. Determine that there is no blockage or restriction, leakage, corrosion and other deficiencies which could cause an unsafe condition.
- A2. The vent pipe should be galvanized steel or other suitable corrosion resistant material (except for Horizontal Category III vent systems, which will be covered in "Section C – Horizontal, Category III Vent System Installation"). Follow the National Fuel Gas Code for minimum thickness of vent material. The minimum thickness for connectors varies depending on the pipe diameter. Do not vent unit with PVC or other forms of plastic venting material.
- A3. All heaters come with a factory installed vent adapter for attaching the vent pipe to the heater. Attach the vent pipe to the adapter with 3 non-corrosive screws. (Drill pilot holes through the vent pipe and adapter prior to screwing in place).
- A4. Refer to Table 6.1 for total equivalent vent pipe lengths, making the vent system as straight as possible. The equivalent length of a 3" elbow is 1' and for a 4" elbow is 5'.

Table 6.1 - Vent Pipe Diameters and Total Equivalent Vent Pipe Lengths For Horizontal Venting Systems

Model Size	Vent Pipe Diameter	Minimum Eqv. Length	Maximum Eqv. Length
30-75	3"	3'	30'
100-125	4"	3'	30'

- A5. A minimum of 12" straight pipe is recommended from the flue outlet before turns in the vent pipe.
- A6. Horizontal sections of vent pipe are to be installed with an upward or downward slope from the appliance of 1/4 inch per foot and suspended securely from overhead structures at points not greater than 3' apart.
- A7. Fasten individual lengths of vent together with at least 3 corrosion-resistant sheet metal screws.
- A8. Keep single wall vent pipe at least 6" from combustible materials. For double wall vent pipe, follow the vent pipe manufacturer's clearances to combustibles. The minimum distance from combustible materials is based on the combustible material surface not exceeding 160°F. Clearance from the vent pipe (or the top of the unit) may be required to be greater than 6" if heat damage other than fire could result (such as material distortion or discoloration).
- A9. Avoid venting through unheated space when possible. When venting does pass through an unheated space or if the unit is installed in an environment that promotes condensation, insulate runs greater than 5' to minimize condensation. Inspect for leakage prior to insulating and use insulation that is noncombustible with a rating of not less than 400°F. Install a tee fitting at the low point of the vent system and provide a drip leg with a clean out cap as shown in Figure 8.1.
- A10. When the vent passes through a combustible INTERIOR wall or floor, a metal thimble 4" greater than the vent

Figure 6.1 - Venting Through Combustible Roof or Wall



① See Instruction A10 for attaching single wall pipe to double wall pipe

INSTALLATION - VENTING

diameter necessary. If there is 6" or more of vent pipe in the open space between the appliance and where the vent pipe passes through the wall or floor, the thimble need only be 2" greater than the diameter of the vent pipe. If a thimble is not used, all combustible material must be cut away to provide 6" of clearance. Where authorities have jurisdiction, type B vent may be used for the last section of vent pipe to maintain clearance to combustibles while passing through wall or floor (see Figure 6.1). Any material used to close the opening must be noncombustible.

A11. The following are general instructions for double wall (type B) terminal pipe installation:

How to attach a single wall vent terminal to double wall (type B) vent pipe:

1. Look for the "flow" arrow on the vent pipe.
2. Slide the vent terminal inside the exhaust end of the double wall vent pipe.
3. Drill 3 holes through the pipe and the vent terminal. Using 3/4" long sheet metal screws, attach the cap to the pipe. Do not over tighten.

How to connect a single wall vent system to double wall (type B) vent pipe:

1. Slide the single wall pipe inside the inner wall of the double wall pipe.
2. Drill 3 holes through both walls of the single and double wall vent pipes. Using 3/4" sheet metal screws, attach the two pieces of pipe. Do not over tighten.
3. The gap between the single and double wall pipe must be sealed, but it is not necessary to fill the full volume of the annular area. To seal, run a large bead of 400°F silastic around the gap.

A12. Vent termination clearances must be maintained, refer to Table 7.1.

A13. Do NOT use dampers or other devices in the vent or combustion air pipes.

A14. Precautions must be taken to prevent degradation of building materials by flue products.

A15. Single wall vent pipe must not pass through any unoccupied attic, inside wall, concealed space, or floor.

A16. Uninsulated single wall vent pipe must not be used outdoors for venting appliances in regions where the 99% winter design temperature is below 32°F.

A18. In addition to following these general instructions, specific instructions for Vertical Category I or Horizontal Category III vent systems must also be followed. Table 7.3 outlines the differences:

Table 7.3 - ANSI Unit Heater Venting Requirements

Category	Description	Venting Requirements
I	Negative vent pressure Non-condensing	Follow standard venting requirements.
II	Negative vent pressure Condensing	Condensate must be drained.
III	Positive vent pressure Non-condensing	Vent must be gas tight.
IV	Positive vent pressure Condensing	Vent must be liquid and gastight. Condensate must be drained.

Note: Vent connectors serving Category I appliances shall not be connected into any portion of mechanical draft systems operating under positive pressure

Vertical Category I Vent System Determination

- Vertical vent systems terminate vertically (up).
- The horizontal portion of the vent run cannot exceed 75% of the vertical rise (Example: If the vent height is 10', the horizontal portion of the vent system cannot exceed 7.5').
- The vent terminates a minimum of 5' above the vent connector on the unit.
- If the vent system to be installed meets ALL these criteria (an example is shown in Figure 9.1), proceed to "Section B – Vertical Vent System Installation". For all other cases, proceed to the next section for Horizontal Category III Vent System Determination:

Horizontal Category III Vent System Determination

- Horizontal vent systems terminate horizontally (sideways)
- A vent system that terminates vertically but has a horizontal run that exceeds 75% of the vertical rise is considered horizontal.
- Horizontal vent configurations are Category III. For residential installations, this requires the use of an agency approved (UL1738) Category III vent system. Additional requirements, including those for commercial and industrial installations are covered in "Section C – Horizontal, Category III Vent System Installation".

Table 7.1 - Vent Termination Clearances

Vent Shall Terminate:	Structure	Reference Standard
3 feet above	Forced air inlet within 10' (US)	NFPA 54
6 feet in all directions	Forced air inlet (Canada)	CSA B149.1
3 feet in all directions	Combustion Air inlet of another appliance	CSA B149.1
4 feet below, 4 feet horizontal, or 1 foot above	Door window, gravity air inlet, or any building opening (US)	NFPA 54
3 feet in all directions	Door window, gravity air inlet, or any building opening (Canada)	CSA B149.1
3 feet horizontal ①	Electric meter, gas meter, gas regulator, and relief equipment	CSA B149.1
2 feet in all directions	Adjacent building, adjoining building, or parapet wall	Modine
7 feet in all directions	Adjacent public walkways	NFPA 54/CSA B149.1
1 foot above	Grade (ground level)	NFPA 54/CSA B149.1
1 foot below or 1 foot beyond	Eave with 24" overhang or less	Modine
3 feet below or 1 foot beyond	Eave with greater than 24" overhang	Modine

① Do not terminate the vent directly above a gas meter or regulator. Recommendations based on CSA B149.1 and NFPA 54. Venting must conform with applicable current revision of local and national installation codes.

A17. The vent terminal must be:

Table 7.2 - Vent Terminals

Model Size	Modine PN
30-75	5H0722850005
100-125	5H0722850001

INSTALLATION - VENTING

Section B – Vertical Vent System Installation

- B1. This section applies to vertically vented Category I vent systems and is in addition to “Section A – General Instructions – All Units”.
- B2. Vertical vent systems terminate vertically, and must be sized in accordance with the National Fuel Gas Code, ANSI Z223.1 (NFPA 54) - latest edition.
- B3. The horizontal portion of the vent run cannot exceed 75% of the vertical rise (Example: If the vent height is 10', the horizontal portion of the vent system cannot exceed 7.5').
- B4. It is recommended to install a tee with drip leg and clean out cap as shown in Figure 8.1.
- B5. The vent terminates a minimum of 5' above the vent connector on the unit.
- B6. All vertically vented heaters that are Category I must be connected to a chimney or vent complying with a recognized standard, or a lined masonry (or concrete) chimney with a material acceptable to the authority having jurisdiction. Venting into an unlined masonry chimney is not permitted. Refer to the National Fuel Gas Code for common venting and pages 11-12 of this manual.
- B7. Use a listed vent terminal to reduce down drafts and moisture in the vent.
- B8. Double wall vent pipe is recommended, although single wall can be used if the requirements of the National Fuel Gas Code are followed.
- B9. Vertical vents must terminate a minimum horizontal and vertical distance from roof lines and adjacent walls or obstructions. These minimum distances are outlined as follows (based on National Fuel Gas Code requirements for vents with diameters less than 12"):
- For **double wall** vent pipe and **8' or greater** horizontal distance to any vertical wall or similar obstruction, the vent must terminate above the roof in accordance with Figure 8.1 and Table 8.1.
 - For **double wall** vent pipe and **less than 8'** horizontal distance to any vertical wall or similar obstruction, the vent must terminate at least 2' above the highest point where it passes through a roof of a building and at least 2' higher than any portion of a building within a horizontal distance of 10' (see Figure 8.1).

Figure 8.1 - Vertical Vent Termination for Double Wall Vent Pipe and Greater Than or Less Than 8' Horizontally From a Vertical Wall or Obstruction

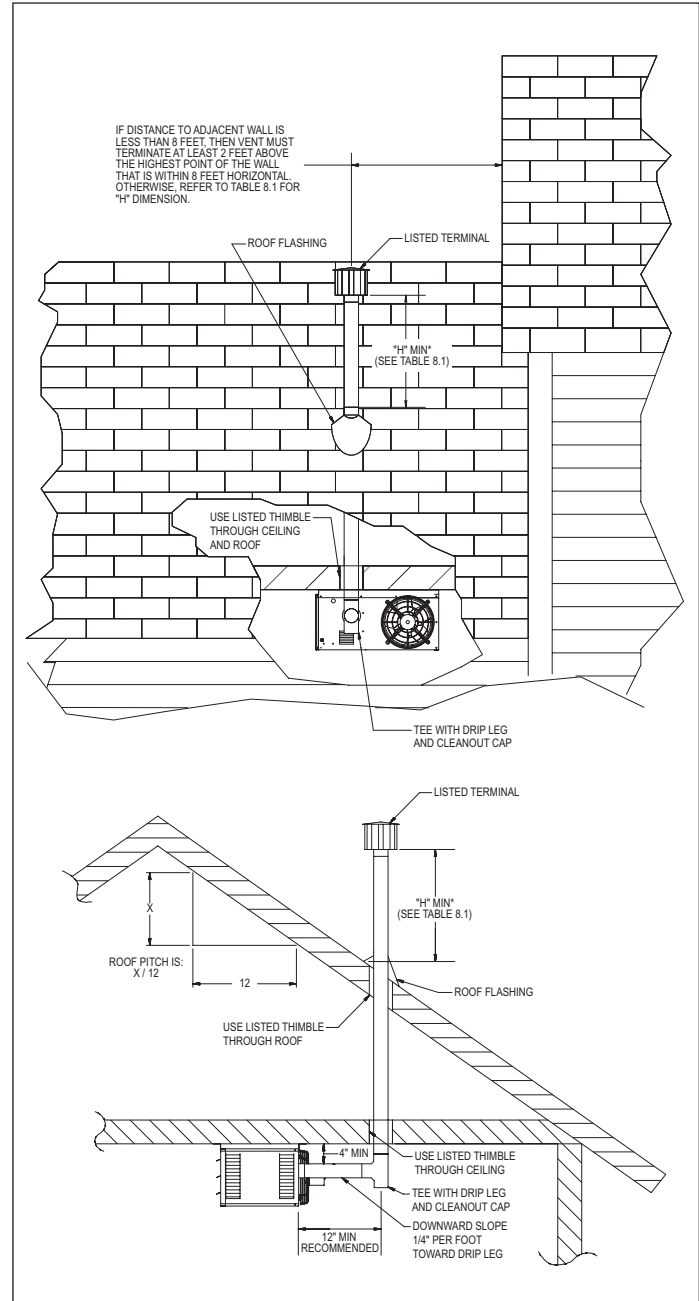


Table 8.1 - Minimum Height from Roof to Lowest Discharge Opening

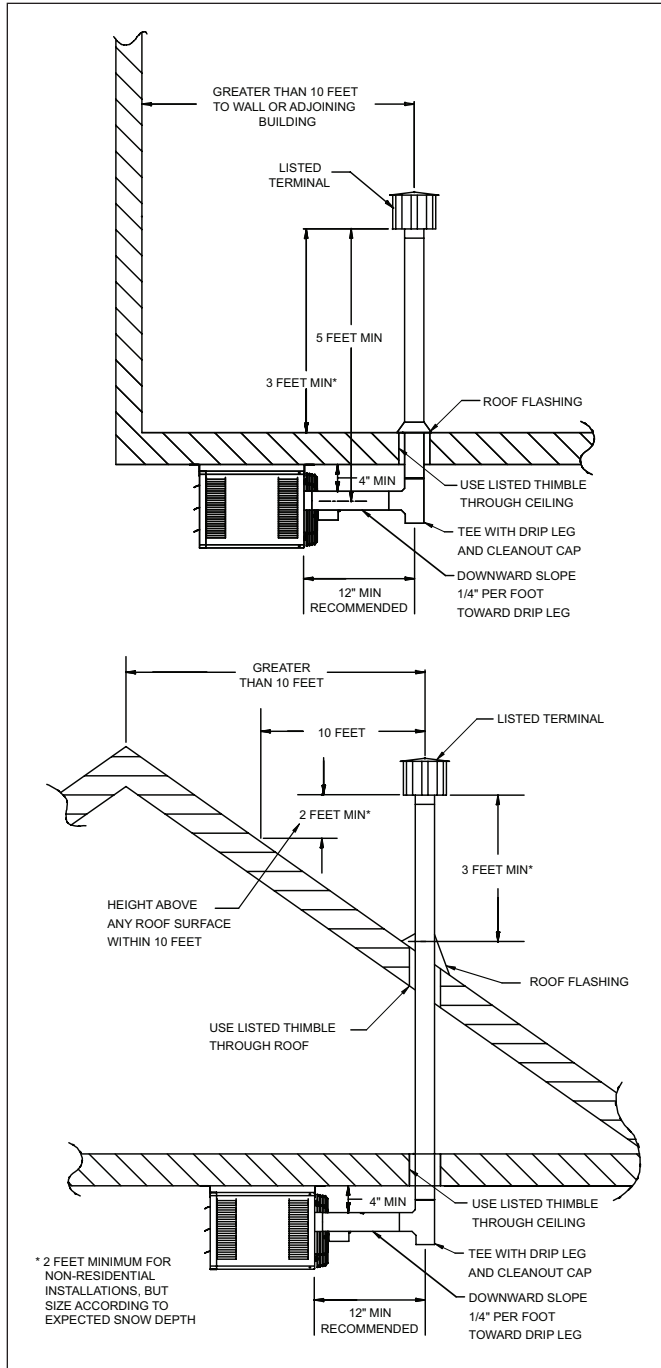
Rise X (in)	Roof Pitch	Min Height H (ft) ①
0-6	Flat to 6/12	1.00
6-7	6/12 to 7/12	1.25
7-8	7/12 to 8/12	1.50
8-9	8/12 to 9/12	2.00
9-10	9/12 to 10/12	2.50
10-11	10/12 to 11/12	3.25
11-12	11/12 to 12/12	4.00
12-14	12/12 to 14/12	5.00
14-16	14/12 to 16/12	6.00
16-18	16/12 to 18/12	7.00
18-20	18/12 to 20/12	7.50
20-21	20/12 to 21/12	8.00

① Size according to expected snow depth.

INSTALLATION - VENTING

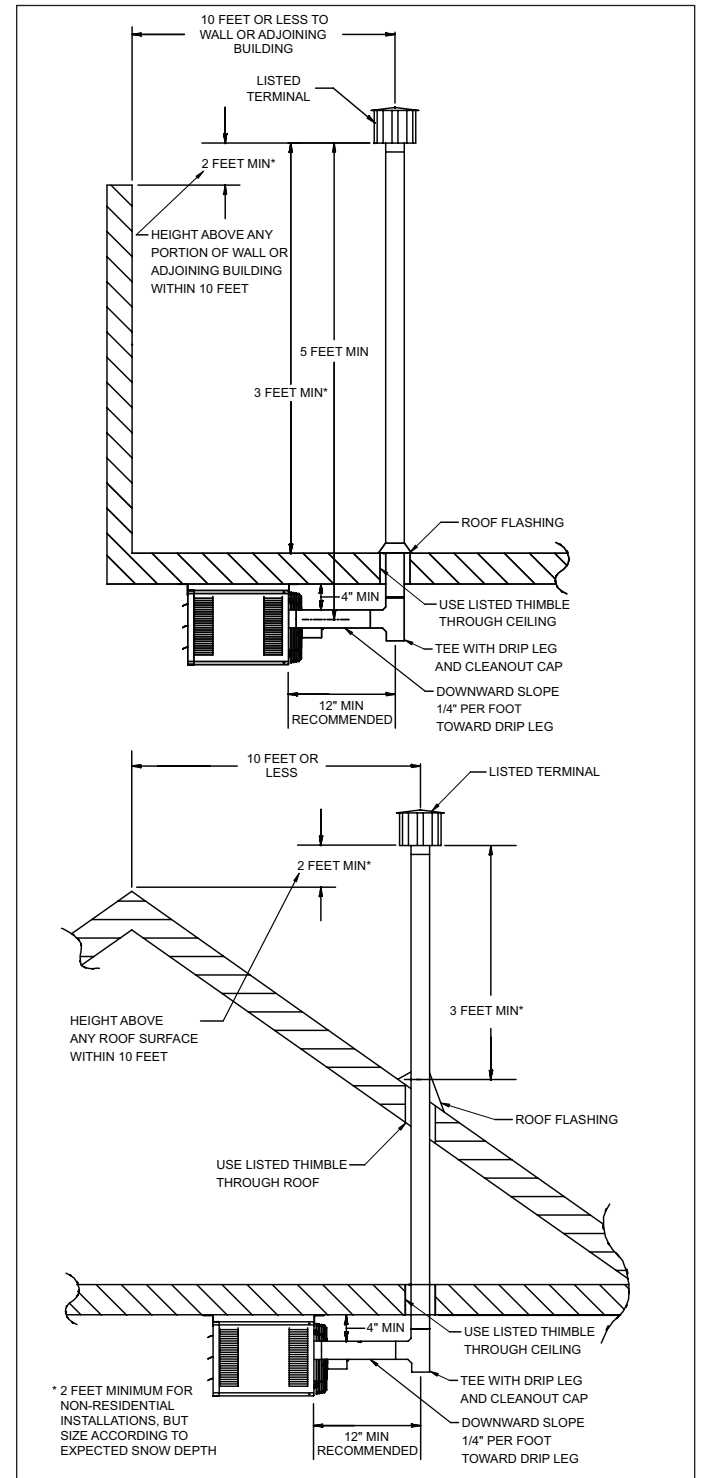
- For **single wall** vent pipe and **10' or greater** horizontal distance to any portion of a building, the vent must terminate at least 3' (2' for non-residential installations) above the highest point where it passes through a roof of a building and at least 2' higher than any portion of a building within a horizontal distance of 10' (see Figure 9.1).

Figure 9.1 - Vertical Vent Termination for Single Wall Vent Pipe and Greater Than 10' Horizontally From Adjacent Wall or Building



- For **single wall** vent pipe and **less than 10'** horizontal distance to any portion of a building, the vent must terminate 2' higher than any portion of that building (see Figure 9.2).

Figure 9.2 - Vertical Vent Termination for Single Wall Vent Pipe and 10' or Less Horizontally From Adjacent Building or Building



B10. Once venting is complete, proceed to the section titled "Installation – Gas Connections".

INSTALLATION - VENTING

Section C – Horizontal, Category III Vent System Installation

C1. This section applies to horizontally vented Category III vent systems and is in addition to “Section A – General Instructions – All Units”. Category III vent systems listed by a nationally recognized agency and matching the diameters specified may be used. Different brands of vent pipe materials may not be intermixed. Under no circumstances should two sections of double wall vent pipe be joined together within one horizontal vent system due to the inability to verify complete seal of inner pipes.

C2. All heaters that are horizontally vented perform as a Category III appliance. Category III venting has special venting requirements as follows.

- All **residential**, horizontally vented Category III heaters must be vented with an **agency certified (UL1738) Category III venting system**. Agency certified Category III venting systems are available from your local vent pipe distributor. Follow the agency certified Category III vent manufacturer’s instructions for installation.
- For **commercial and industrial** horizontally vented heaters you may use either agency certified Category III venting systems as noted above, or single wall galvanized or stainless steel vent pipe. For single wall vent systems, one continuous section of double wall vent pipe may be used within the vent system to pass through the wall to the listed terminal. Refer to instruction A10 in “Section A – General Instructions – All Units” for attaching double wall pipe to single wall pipe. If un-gasketed single wall vent pipe is used, all seams and joints must be sealed with metallic tape or silastic suitable for temperatures up to 400°F (3M aluminum foil tapes 433 or 363 are acceptable). Wrap tape two full turns around the vent pipe.

C3. All horizontal Category III vents must be terminated with a listed vent cap. The cap must terminate a minimum distance from the external wall, as summarized in Table 10.1.

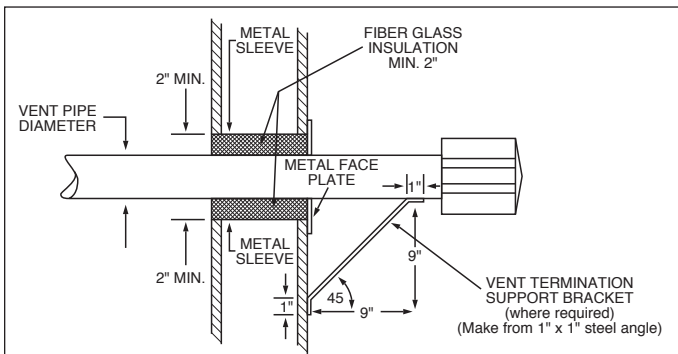
Table 10.1 - Minimum Length Between External Wall and Vent

Model Size	Application	Min. Length A ①
30-75	Residential & Commercial	11"
100, 125	Residential	12"
100, 125	Commercial	24"

① Refer to Figure 10.2 and 10.3.

C4. The vent must be supported as shown in Figure 10.1.

Figure 10.1 - Exhaust Vent Construction Through Combustible Walls and Support Bracket



C5. When condensation may be a problem, the vent system shall not terminate over public walkways or over an area where condensate or vapor could create a nuisance or hazard or could be detrimental to the operation of regulators, relief openings, or other equipment.

C6. The venting system must be exclusive to a single unit, and no other unit is allowed to be vented into it.

Figure 10.2 - Horizontal Category III Venting with Upward Pitch

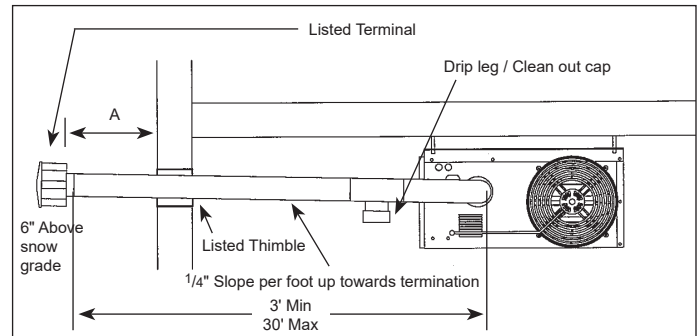
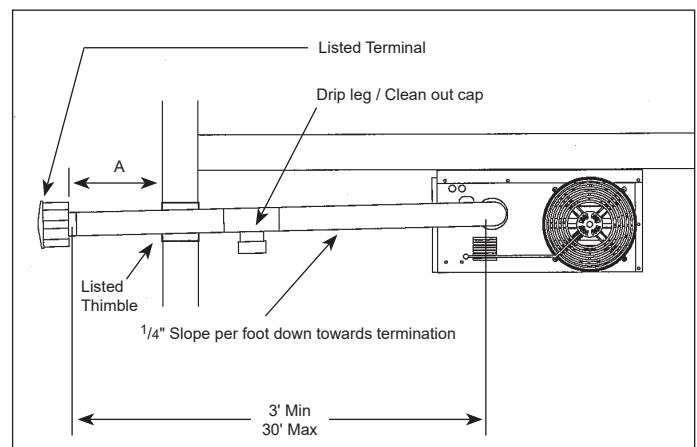


Figure 10.3 - Horizontal Category III Venting with Downward Pitch (with drip leg)



C7. When vented horizontally, maintain a 1/4" per foot rise away from the heater and place a drip leg with clean out near the unit as shown in Figure 10.2. Where local authorities have jurisdiction, a 1/4" per foot downward slope is acceptable with a drip leg and clean out near the exit of the vent as shown in Figure 10.3, or allow the condensate to drip out the end.

C8. For a vent termination located under an eave, the distance of the overhang must not exceed 24". The clearance to combustibles above the exterior vent must be maintained at a minimum of 12". Consult the National Fuel Gas Code for additional requirements for eaves that have ventilation openings.

C9. Once venting is complete, proceed to the section titled “Installation – Gas Connections”.

INSTALLATION - VENTING

Additional Requirements for Common Venting:

1. The common vent system and all attached appliances must be Category I.
2. The vent connector should be routed in the most direct route from the units to the common vent.
3. Where 2 or more vent connectors enter a common gas vent or chimney flue, the smaller connector shall enter at the highest level consistent with the available head room or clearance to combustible material.
4. Restrictions within the common vent such as elbows should be minimized. Each elbow installed within the common portion of the venting system reduces maximum common vent capacity by 10% (refer to Tables 11.2 and 11.3 for capacity).
5. The vent connector capacities included in these tables allow for the use of two 90° elbows (or turns). For each additional elbow, the vent connector capacity shall be reduced by 10%. Refer to NFPA54/ IFEC tables for capacity ratings.
6. The common vent cross sectional area must be equal to or greater than the largest vent connector cross-sectional area.
7. If all appliances are located on one level of the building, the vent height shall be measured from the highest draft hood or vent connector to be installed within the common vent system (refer to Figures 11.1 and 11.2).
8. All units must be vented in strict accordance of the common venting Tables 11.1 through 11.3.
9. All masonry chimneys must comply with all applicable local and national codes.
10. When combining multiple vent connectors into a manifold prior to the vertical portion of the common vent, the size of the common vent manifold and the common vent shall be determined by applying a 10% reduction (.90 x maximum vent capacity from Table 11.2 or 11.3) to the common vent capacity part of the common vent tables. The length of the common vent manifold (Lm) may not exceed 18 inches per inch of manifold diameter.
11. Refer to the National Fuel Gas Code for instructions on multi-level common venting and exterior masonry chimneys as well as additional installation of the listed applications.

Figure 11.1 - Common Venting into Double Wall B Vent

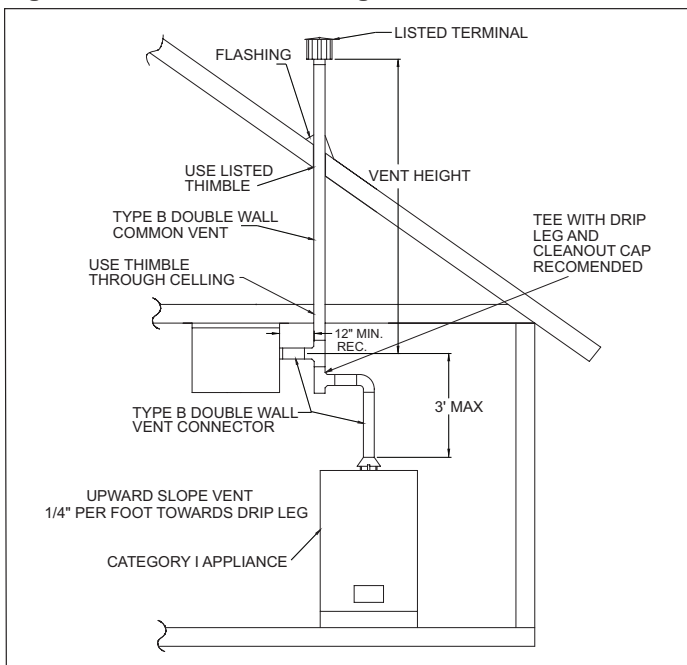


Table 11.1 - Maximum Vent Connector Horizontal Run (ft) - Type B Vent Connector

Connector Dia.	Model	Max Horiz. Run
3"	30,45,60,75	4.5
4"	100, 125	6

Based on ANSI Z223.1 (NFPA 54)-2009. For reference only.

Table 11.2 - Maximum Total Appliance Input Capacities (MBh) - Type B Vent Connector and Type B Common Vent

Vent Height (ft)	Diameter of Common Vent							
	4 in.		5 in.		6 in.		7 in.	
	Fan+ Fan	Fan+ Nat	Fan+ Fan	Fan+ Nat	Fan+ Fan	Fan+ Nat	Fan+ Fan	Fan+ Nat
6	92	81	140	116	204	161	309	248
8	101	90	155	129	224	178	339	275
10	110	97	169	141	243	194	367	299
15	125	112	195	164	283	228	427	352
20	136	123	215	183	314	255	475	394
30	152	138	244	210	361	297	547	459

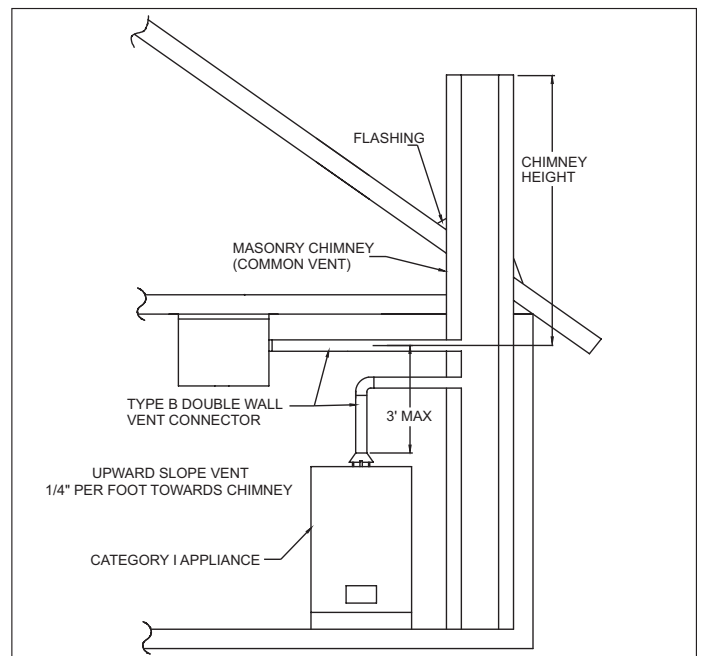
Based on ANSI Z223.1 (NFPA 54)-2009. For reference only.

Table 11.3 - Maximum Total Appliance Input Capacities (MBh) - Type B Vent Connector with Common Vent into Masonry Chimney

Vent Height (ft.)	Area of Common Vent							
	12 in ²		19 in ²		28 in ²		38 in ²	
	Fan+ Fan	Fan+ Nat	Fan+ Fan	Fan+ Nat	Fan+ Fan	Fan+ Nat	Fan+ Fan	Fan+ Nat
6	NA	74	NA	119	NA	178	NA	257
8	NA	80	NA	130	NA	193	NA	279
10	NA	84	NA	138	NA	207	NA	299
15	NA	NA	NA	152	NA	233	NA	334
20	NA	NA	NA	NA	NA	250	NA	368
30	NA	NA	NA	NA	NA	270	NA	404

Based on ANSI Z223.1 (NFPA 54)-2009. For reference only.

Figure 11.2 - (Common) Venting into Masonry Chimney



INSTALLATION - GAS CONNECTIONS

⚠ WARNING

1. All field gas piping must be pressure/leak tested prior to operation. Never use an open flame. Use a soap solution or equivalent for testing.
2. Gas pressure to appliance controls must never exceed 14" W.C. (1/2 psi).
3. To reduce the opportunity for condensation, the minimum sea level input to the appliance, as indicated on the serial plate, must not be less than 5% below the rated input, or 5% below the minimum rated input of dual rated units.

⚠ CAUTION

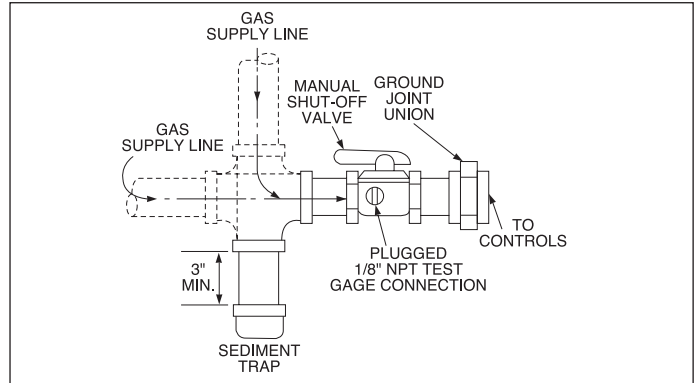
1. Purging of air from gas lines should be performed as described in the National Fuel Gas Code, ANSI Z223.1 (NFPA 54) - latest edition or in Canada CSA-B149 codes.
2. When leak testing the gas supply piping system, the appliance and its combination gas control must be isolated during any pressure testing in excess of 14" W.C. (1/2 psi).
3. The unit should be isolated from the gas supply piping system by closing its field installed manual shut-off valve. This manual shut-off valve should be located within 6' of the heater.
4. Turn off all gas before installing appliance.

IMPORTANT

To prevent premature heat exchanger failure, the input to the appliance, as indicated on the serial plate, must not exceed the rated input by more than 5%.

1. Installation of piping must conform with local building codes, or in the absence of local codes, with the National Fuel Gas Code, ANSI Z223.1 (NFPA 54) - latest edition. In Canada, installation must be in accordance with CSA-B149.1.
2. Piping to units should conform with local and national requirements for type and volume of gas handled and pressure drop allowed in the line. Refer to Table 12.1 to determine the cubic feet per hour (CFH) for the type of gas and size of unit to be installed. Using this CFH value and the length of pipe necessary, determine the pipe diameter from Table 12.2. Where several units are served by the same main, the total capacity, CFH, and length of main must be considered. Avoid pipe sizes smaller than 1/2". Table 12.2 allows for a 0.3" W.C. pressure drop in the supply pressure from the building main to the unit. The inlet pressure to the unit must be 6-7" W.C. for natural gas and 11-14" W.C. for propane gas. When sizing the inlet gas pipe diameter, make sure that the unit supply pressure can be met after the 0.3" W.C. has been subtracted. If the 0.3" W.C. pressure drop is too high, refer to the Gas Engineer's Handbook for other gas pipe capacities.
3. Install a ground joint union with brass seat and a manual shut-off valve adjacent to the unit for emergency shut-off and easy servicing of controls, including a 1/8" NPT plugged tapping accessible for test gauge connection (see Figure 12.1).
4. Use 2 wrenches when connecting field piping to units.
5. Provide a sediment trap before each unit in the line where low spots cannot be avoided (see Figure 12.1).
6. When pressure/leak testing, pressures above 14" W.C. (1/2 psi), close the field installed shut-off valve, disconnect the appliance and its combination gas control from the gas supply line, and plug the supply line before testing. When testing pressures 14" W.C. (1/2 psi) or below, close the manual shut-off valve on the appliance before testing.

Figure 12.1 - Recommended Sediment Trap/Manual Shut-off Valve Installation - Side or Bottom Gas Connection ①



① Manual shut-off valve is in the "OFF" position when handle is perpendicular to pipe.

Table 12.1 - Sea Level Manifold Pressure & Gas Consumption

Model Size	BTU/Cu. Ft. Specific Gravity	Natural	Propane	No. of Orifices
		1050 0.60	2500 1.53	
Manifold Pressure In. W.C.		3.5	10.0	
30	CFH	28.6	12.0	2
	Gal/Hr. Propane		.33	
	Sec/cu. ft. Orifice Drill Size	126 49	300 56	
45	CFH	42.9	18.0	3
	Gal/Hr. Propane		.50	
	Sec/cu. ft. Orifice Drill Size	84 49	200 56	
60	CFH	57.1	24.0	4
	Gal/Hr. Propane		.66	
	Sec/cu. ft. Orifice Drill Size	63 49	150 56	
75	CFH	71.4	30.0	5
	Gal/Hr. Propane		.83	
	Sec/cu. ft. Orifice Drill Size	50 49	180 56	
100	CFH	95.2	40	5
	Gal/Hr. Propane		1.09	
	Sec/cu. ft. Orifice Drill Size	38 45	90 55	
125	CFH	119	50	5
	Gal/Hr. Propane		1.37	
	Sec/cu. ft. Orifice Drill Size	30 42	72 53	

Table 12.2 - Gas Pipe Capacities - Natural Gas ①②

Pipe Length (ft)	Natural Gas					
	1/2"	3/4"	1"	1-1/4"	1-1/2"	2"
10	132	278	520	1050	1600	3050
20	92	190	350	730	1100	2100
30	73	152	285	590	890	1650
40	63	130	245	500	760	1450
50	56	115	215	440	670	1270
60	50	105	195	400	610	1150
70	46	96	180	370	560	1050
80	43	90	170	350	530	930
100	38	79	150	305	460	870
125	34	72	130	275	410	780
150	31	64	120	250	380	710

① Capacities in cubic feet per hour through Schedule 40 pipe with maximum 0.3"W.C. pressure drop with up to 14"W.C. gas pressure. Specific gravity is 0.60 for natural gas and 1.50 for propane gas.

② For pipe capacity with propane gas, divide natural gas capacity by 1.6.
Example: What is the propane gas pipe capacity for 60 feet of 1-1/4" pipe?
The natural gas capacity is 400 CFH. Divide by 1.6 to get 250 CFH for propane gas.

INSTALLATION - HIGH ALTITUDE ACCESSORY KIT

HIGH ALTITUDE ACCESSORY KIT

Modine's gas-fired equipment standard input ratings are certified by ETL. For elevations above 2,000', ANSI Z223.1 requires ratings be reduced 4 percent for each 1000'. above sea level. For units in Canada, CSA requires that ratings be reduced 10 percent at elevations above 2,000'. The high altitude adjustment instructions and pressure switch kits listed in this manual are for use with units that will be installed over 2,000' These methods and kits comply with both ANSI Z223.1 and CSA requirements.

If a unit is to be installed at higher elevations AND converted from natural gas to propane gas operation, a propane conversion kit must be used in conjunction with the pressure adjustment methods and pressure switch kits listed herein. For the selection and installation instructions for propane conversion kits, please see the latest revision of Modine Manual 75-515.

Selection of the Proper Pressure and Kit

To determine the proper manifold pressure at altitude and if required, the proper combustion air pressure switch kit, the full model number of the heater, the fuel to be used, and the altitude the unit will be installed at must be known. Refer to the unit serial plate or carton label to obtain the necessary information about the unit.

After obtaining this information, refer to the gas pressure and selection charts shown in Tables 13.1 through 14.1. The pressure charts are differentiated by elevation, fuel type, and country the product is being installed in. The selection charts are differentiated by product type, altitude and fuel type. **If converting from natural gas to propane gas and operation at high altitude, both a propane conversion kit and a pressure switch kit must be used (if applicable).** Selection charts include the proper kit suffix, when required.

Table 13.1 - Natural Gas Heating Values at Altitude ①②④

Altitude (ft)	Gas Heating Values at Altitude (BTU/ft ³)	
	USA	Canada
0-2,000	1,050	1,050
2,001-3,000	929	945
3,001-4,000	892	
4,001-4,500	874	
4,501-5,000	856	856
5,001-6,000	822	822
6,001-7,000	789	789
7,001-8,000	757	757
8,001-9,000	727	727
9,001-10,000	698	698
10,001-11,000	670	670
11,001-12,000	643	643
12,001-13,000	618	618
13,001-14,000	593	593

- ① Values shown are for 3.5" W.C. manifold pressure, for other BTU content values (available from local utility) use Equation 14.1 to calculate manifold pressure.
- ② Values shown are for 10.0" W.C. manifold pressure, for other BTU content values (available from local utility) use Equation 14.1 to calculate manifold pressure.
- ③ When installed at altitudes above 2,000', a pressure switch may need to be changed. Refer to Table 14.1 to determine if a switch change is required.
- ④ Gas heating values are derated 4% per 1,000' of elevation in the USA and 10% between 2,000' and 4,500' elevation in Canada in accordance with ANSI Z223.1 and CSA-B149, respectively.

Manifold Pressure Adjustment

The inlet pressure to the unit must be confirmed to be within acceptable limits (6-7" W.C. for natural gas and 11-14" W.C. for propane gas) before opening the shutoff valve or the combination gas valve may be damaged.

Heaters for use with **natural gas** have gas valves that need to be field set at 3.5" W.C. manifold pressure at 7.0" W.C. inlet pressure.

Units for use with **propane gas** need to be field set for 10.0" W.C. manifold pressure at 14.0" W.C. inlet pressure.

Installation above 2,000' elevation requires adjustment of the manifold pressure as described.

Derated BTU Content Gas and Manifold Pressure Calculation

Some utility companies may derate the BTU content (heating value) of the gas provided at altitude to a value other than 1,050 BTU/ft³ for natural gas or 2,500 BTU/ft³ for propane gas to allow certain heating appliances to be used with no manifold pressure adjustments. For this reason it is necessary that the supplying utility be contacted for detailed information about the gas type and BTU content (heating value) before operating any heater. Tables 13.1 and 13.2 show the standard derated heating values (4% per 1,000' of elevation in the USA and 10% between 2,001' and 4,500' elevation in Canada) of natural and propane gases at various altitudes. If the utility is supplying gas with heating values as shown in Tables 13.1 and 13.2, the manifold pressure should be set to 3.5" W.C for natural gas and 10.0" W.C. for propane gas.

NOTE: Only the high fire gas pressure need be adjusted, low fire gas pressure should remain the same.

Table 13.2 - Propane Gas Heating Values at Altitude ②③④

Altitude (ft)	Gas Heating Values at Altitude (BTU/ft ³)	
	USA	Canada
0-2,000	2,500	2,500
2,001-3,000	2,212	2,250
3,001-4,000	2,123	
4,001-4,500	2,080	
4,501-5,000	2,038	2,038
5,001-6,000	1,957	1,957
6,001-7,000	1,879	1,879
7,001-8,000	1,803	1,803
8,001-9,000	1,731	1,731
9,001-10,000	1,662	1,662
10,001-11,000	1,596	1,596
11,001-12,000	1,532	1,532
12,001-13,000	1,471	1,471
13,001-14,000	1,412	1,412

INSTALLATION - HIGH ALTITUDE ACCESSORY KIT

If the heating value of the gas being supplied is different than the values shown in Tables 13.1 and 13.2, use the following equation to determine the appropriate manifold pressure for the altitude and gas heating value being supplied.

Equation 14.1 - Manifold Pressure for Derated Gas

$$MP_{ACT} = \left(\frac{BTU_{TBL}}{BTU_{ACT}} \right)^2 \times MP_{SL}$$

WHERE:

MP_{ACT} = **Manifold Pressure (in. W.C.) at Altitude** – Manifold pressure setting for the heater being installed

BTU_{TBL} = **BTU/ft³ Content of Gas** – Obtained from Tables 13.1 or 13.2 (whichever is applicable)

BTU_{ACT} = **BTU/ft³ Content of Gas** – Obtained from the local utility company

MP_{SL} = **Manifold Pressure (in. W.C.), at Sea Level** – Use 3.5" W.C. for natural gas and 10.0" W.C. for propane gas

NOTE: Only the primary manifold pressure should be adjusted on units equipped with two-stage or modulating gas controls. No adjustments to the low fire manifold pressure are necessary on these units.

Table 14.1 - High Altitude Kits for HD/HDB ①

US and Canada Altitude (ft)	Model Size					
	30	45	60	75	100	125
	Item Code	Item Code	Item Code	Item Code	Item Code	Item Code
0-2,000	not required	not required	not required	not required	not required	not required
2,001-4,500	67248	67248	67248	67248	67248	67248
4,501-5,000	67248	67248	67248	67248	67248	67248
5001-5500	67248	67248	55950	55946	67248	67248
5501-6000	67248	67248	55950	55946	67248	68408
6001-6500	67248	67248	55950	55946	67248	68408
6501-7000	67248	67248	55950	55946	68408	68408
7001-7500	67248	67248	55950	55946	68408	68408
7501-8000	67248	67248	55946	55946	68408	68408
8001-8500	67248	67248	55946	55945	68408	68408
8501-9000	67248	67248	55946	55945	68408	68408
9001-9500	67248	55945	55946	55945	68408	68408
9501-10000	55945	55945	55946	55945	68408	68408
10001-11000	55945	55945	55946	55945	68409	68409
11001-12000	55945	55945	55946	55945	68409	68409
12001-13000	N/A	55945	55945	N/A	68411	68411
13001-14000	N/A	55945	55945	N/A	68411	68411

① For Label Only (67248) kits, Modine part number 5H0807146005 is required to be filled out and attached to the unit by the installer. Please contact the local Modine representative at 1.800.828.4328 (HEAT).

INSTALLATION - ELECTRICAL CONNECTIONS

ELECTRICAL CONNECTIONS

WARNING

1. Disconnect power supply before making wiring connections to prevent electrical shock and equipment damage.
2. All appliances must be wired strictly in accordance with wiring diagram furnished with the appliance. Any wiring different from the wiring diagram could result in a hazard to persons and property.
3. Any original factory wiring that requires replacement must be replaced with wiring material having a temperature rating of at least 105°C.
4. Ensure that the supply voltage to the appliance, as indicated on the serial plate, is not 5% greater than rated voltage.

CAUTION

Ensure that the supply voltage to the appliance, as indicated on the serial plate, is not 5% less than the rated voltage.

1. Installation of wiring must conform with local building codes, or in the absence of local codes, with the National Electric Code ANSI/NFPA 70 - Latest Edition. Unit must be electrically grounded in conformance to this code. In Canada, wiring must comply with CSA C22.1, Part 1, Electrical Code.
2. Two copies of the unit wiring diagram are provided with each unit. One is located in the side access control compartment and the other is supplied in the literature packet. Refer to this diagram for all wiring connections.
3. Make sure all multi-voltage components (motors, transformers, etc.) are wired in accordance with the power supply voltage.
4. The power supply to the unit must be protected with a fused or circuit breaker switch.
5. The power supply must be within 5 percent of the voltage rating and each phase must be balanced within 2 percent of each other. If not, advise the utility company.
6. External electrical service connections that must be installed include:
 - a. Supply power connection (115, 208, 230, 460, or 575 volts).
 - b. Connection of thermostats, or any other accessory control devices that may be supplied (24 volts).

NOTE: All units with supply voltage 208V and greater must use a field installed step-down transformer, available as a separate accessory.

7. Refer to Figures 18.1 and 18.2 for the side access control compartment location.
8. All supply power electrical connections are made in the side access control compartment of the unit. The low voltage (thermostat and accessory control devices) can be wired to the terminals in the side access control compartment. Refer to the wiring diagram for the terminal location of all low voltage wiring.

INSTALLATION - ELECTRICAL CONNECTIONS

ELECTRICAL CONNECTIONS

Location of thermostat should be determined by heating requirements and be mounted on an inside wall about 5' above floor level where it will not be affected by heat from the unit or other sources, or drafts from frequently opened doors. See instructions packed with thermostat.

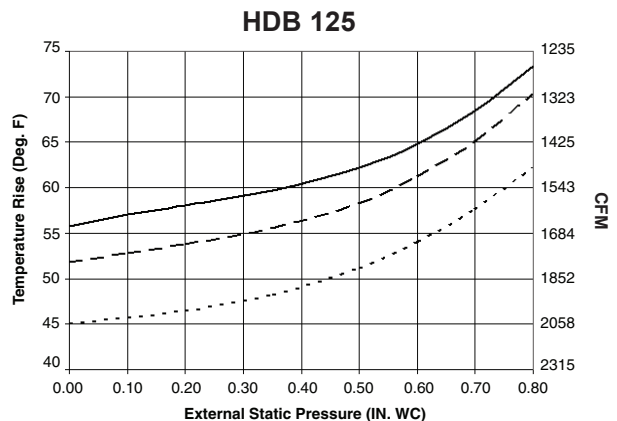
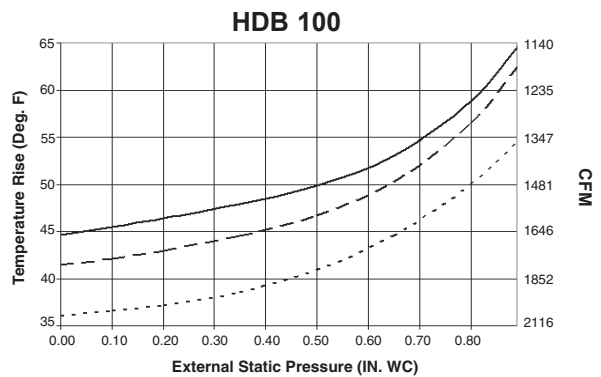
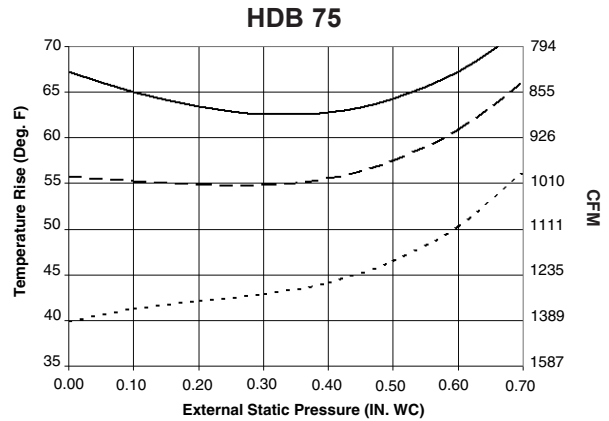
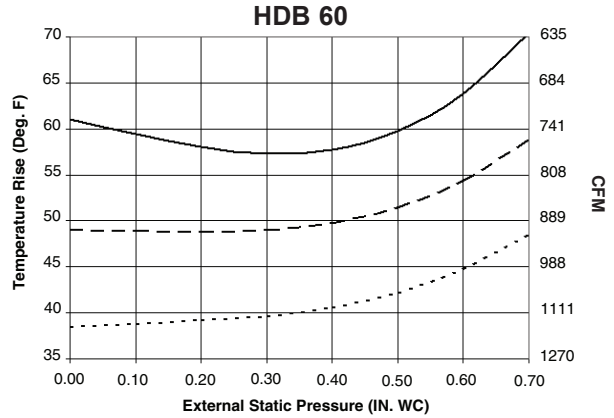
Wiring Adjustments for Blower Motors

The blowers used on Modine HDB units are direct drive and equipped with three speed motors. Air temperature rise of the unit is determined by the speed setting and the amount of static pressure in the system. Units are normally shipped with motors set at high speed. Motor speed is changed by connecting the motor lead for the desired fan speed to the "EAC" or "BLO" terminal of the control board. Unused motor leads for other speeds are placed on the "PARK" terminals of the board (see the wiring diagram on page 21).

When applying a blower equipped unit to a duct system or other load, consult the performance curves on this page to determine the air temperature rise for a given motor speed range and static pressure. Verify that the static pressure on the outlet of the unit does not exceed the maximum specified for the unit. If static pressure is too high it must be reduced either by modifications to the system or using the medium or low motor speed. If the unit shuts down on high limit during normal operation, a higher motor speed should be used.

Blower Curve Models (HDB 60-125 Only)

Speeds



INSTALLATION - OPERATION

OPERATION

Prior to Operation

IMPORTANT

1. To prevent premature heat exchanger failure, observe heat exchanger tubes. If the bottom of the tubes become red while blower and furnace are in operation, check to be sure the blower has been set to the proper RPM for the application. Refer to page 16 for wiring adjustments for blower motors.
2. Start-up and adjustment procedures must be performed by a qualified service agency.

Although this unit has been assembled and fire-tested at the factory, the following pre-operational procedures should be performed to assure proper on-site operation.

1. Turn off power to the unit at the disconnect switch. Check that fuses or circuit breakers are in place and sized correctly. Turn all hand gas valves to the "OFF" position.
2. Remove the side control access panel.
3. Check that the supply voltage matches the unit supply voltage listed on the Model Identification plate. Verify that all wiring is secure and properly protected. Trace circuits to insure that the unit has been wired according to the wiring diagram. If installed at altitudes above 2,000' and the high altitude kit includes a combustion air proving switch, replace the switch in the unit with the switch provided in the kit. Take care to ensure that the tubing and electrical connections are securely fastened.
4. Check to insure that the venting system is installed correctly and free from obstructions. Before you start use the following steps to verify that the venting system is adequately sized:
 - a. Seal any unused openings in the venting system.
 - b. Inspect the venting system for proper size and horizontal pitch, as required in the National Fuel Gas Code, ANSI Z223.1 (NFPA 54) or CSA B149.1 Installation Code - latest edition and these instructions. Determine that there is no blockage or restriction, leakage, corrosion and other deficiencies, which could cause an unsafe condition.
 - c. Insofar as practical, close all building doors and windows and all doors between the space in which the appliance(s) connected to the venting system are located and other spaces of the building. Turn on clothes dryers and any exhaust fans such as range hoods and bathroom exhausts, so they shall operate at maximum speed. Do not operate a summer exhaust fan. Close fireplace dampers.
 - d. Follow the lighting instructions. Place the appliance being inspected in operation. Adjust thermostat so that the appliance will operate continuously.
 - e. After it has been determined that each appliance connected to the venting system properly vents when tested as outlined above, return doors, windows, exhaust fans, fireplace dampers and any other gas-burning appliance to their previous conditions of use.
 - f. If improper venting is observed during any of the above tests, the venting system must be corrected.
5. Check to see that there are no obstructions to the intake and discharge of the unit.
6. Check fan clearance. Fan should not contact casing when spun by hand.
7. Check to make sure that all filters are in place and that they are installed properly according to direction of air flow (if applicable).
8. Perform a visual inspection of the unit to make sure no damage has occurred during installation. Check to ensure all fasteners are in place and the burner openings are properly aligned with the heat exchanger tubes and that the gas orifices are centered in the burner inspirator tube opening.
9. Check that all horizontal deflector blades are open a minimum of 30° as measured from vertical.

10. Turn on power to the unit at the disconnect switch.
11. Check the thermostat, ignition control, gas valve, and supply fan blower motor for electrical operation. If these do not function, check that the wiring is per the diagram.
12. Check the blower wheel for proper direction of rotation when compared to the air flow direction arrow on the blower housing (if applicable). Blower wheel rotation, not air movement, must be checked as some air will be delivered through the unit with the blower wheel running backwards.
13. For blower units, check the blower speed (RPM). Refer to "Blower Adjustments" for modification.
14. Check the motor speed (RPM).
15. Check the motor voltage.
16. Check the motor amp draw to make sure it does not exceed the motor nameplate rating.
17. Recheck the gas supply pressure at the field installed manual shut-off valve. The minimum inlet pressure should be 6" W.C. on natural gas and 11" W.C. on propane gas. The maximum inlet pressure for either gas is 14" W.C. If inlet pressure exceeds 14" W.C., a gas pressure regulator must be added upstream of the combination gas valve.
18. Open the field installed manual gas shut-off valve.
19. Place the manual main gas valve on the combination gas valve in the "ON" position. Call for heat with the thermostat.
20. Check to make sure that the main gas valve opens. Check the manifold gas pressure (See "Main Burner Adjustment") while the supply fan blower is operating.
21. Check to insure that gas controls sequence properly (see "Control Operating Sequence"). If you are not familiar with the unit's controls (i.e. combination gas control), refer to the control manufacturer's literature supplied with the unit.
22. Once proper operation of the unit has been verified, remove any jumper wires that were required for testing.
24. Replace the side control access panel.
25. If installed at altitudes above 2,000', affix label included with high altitude kit and fill in all fields with a permanent marker.

Main Burner Adjustment

The gas pressure regulator (integral to the combination gas control) is adjusted at the factory for average gas conditions. It is important that gas be supplied to the unit heater in accordance with the input rating on the serial plate. Actual input should be checked and necessary adjustments made after the unit heater is installed. Over-firing, a result of too high an input, reduces the life of the appliance and increases maintenance. Under no circumstances should the input exceed that shown on the serial plate. Measuring the manifold pressure is done at the outlet pressure tap of the gas valve.

To Adjust the Manifold Pressure

1. Move the field installed manual shut-off valve to the "OFF" position.
2. Loosen the 3/32" hex head screw in the outlet pressure tap on the gas valve and, using a 5/16" ID hose, attach a water manometer of "U" tube type which is at least 12" high.
3. Move the field installed manual gas shut-off valve to the "ON" position.
4. Create a high-fire call for heat from the thermostat.
5. Refer to Table 12.1 to determine the correct high fire manifold pressure for the gas type of the unit. Pressures at 0-2,000' elevation are 3.5" W.C. for natural gas, 10" W.C. for propane gas, for elevations above 2,000' refer to the instructions on page 13. Adjust the main gas pressure regulator spring to achieve the proper manifold pressure (for location, see the combination gas control literature supplied with unit).
6. After adjustment, move the field installed manual shut-off valve to the "OFF" position and re-tighten the 3/32" hex screw.
7. After the screw is tightened, move the field installed manual shut-off valve to the "ON" position and recheck pipe plugs for gas leaks with soap solution.

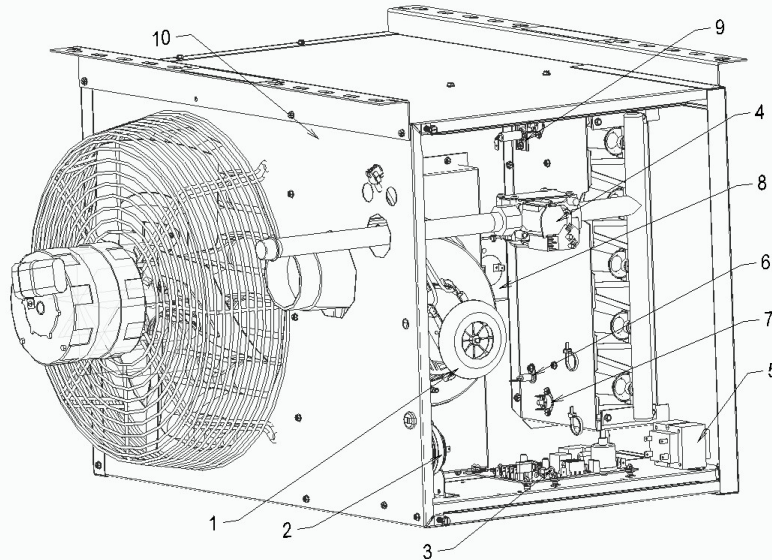
CONTROL OPERATING SEQUENCE / UNIT COMPONENTS

CONTROL OPERATING SEQUENCE

Upon a call for heat from the thermostat, power is supplied to the power exhauster motor. The unit will go through a purge period and then the direct spark igniter will be energized. At the same time, the main valve in the combination control valve will open to allow gas to flow to the burners. If the fan motor has not

all ready started it will start shortly. If a flame is not sensed for any reason the main valve will close and there will be a short purge period before ignition is tried again. If the flame is not sensed after 4 tries, there will be at least a 1 hour wait before ignition is tried again.

Figure 18.1 - Major Gas, Electrical Service, Safety and Other Components



- | | | |
|--|--------------------------------------|---|
| 1. Power Exhauster | 5. Control Transformer | 9. Direct Spark Igniter (hidden) |
| 2. Pressure Switch | 6. Flame Sensor (hidden) | 10. Manual Reset Control (hidden, propeller 100-125 only) |
| 3. Integrated Direct Spark Control Board | 7. Flame Rollout Switch | |
| 4. Combination Gas Control | 8. Auto Reset Limit Control (hidden) | |

Table 18.1 - Control Options

Control Description	Control Code No.	Service Voltage	Thermostat Voltage	Type of Gas	Model Size
Single-Stage, Direct Spark Ignition, 100% Shut-Off with Continuous Retry - Utilizes a single-stage combination gas control with ignition control. Gas is lit with a direct spark igniter on call for heat.	11	115V	24V	Natural	30-125
	21	115V	24V	Propane	30-125
Two-Stage, Direct Spark Ignition, 100% Shut-Off with Continuous Retry - Utilizes a two-stage combination gas control with built-in ignition control. Firing rate is 100% and 50% of full rated input. Gas is lit with a direct spark igniter on call for heat.	12	115V	24V	Natural	75-125
	22	115V	24V	Propane	75-125

Table 18.2 - Propeller Model HD Performance

	Model HD Sizes					
	30	45	60	75	100	125
Btu/Hr Input	30,000	45,000	60,000	75,000	100,000	125,000
Btu/Hr Output	24,900	37350	49800	62,250	82,000	102,500
Entering Airflow (CFM) @ 70°F	505	720	990	1160	1490	1980
Outlet Velocity (FPM)	523	725	653	769	565	747
Air Temp. Rise (°F)	44	46	45	48	50	47
Max. Mounting Height (Ft.)	10	10	12	14	12	16
Heat Throw (Ft.) (@ Max Mtg Ht.)	25	27	36	38	42	56
Motor Type	SP	SP	PSC	PSC	PSC	PSC
Motor HP	1/15	1/15	1/6	1/6	1/6	1/8
Motor RPM	1550	1550	1100	1100	1050	1625

Table 18.3 - Blower Model HDB Performance

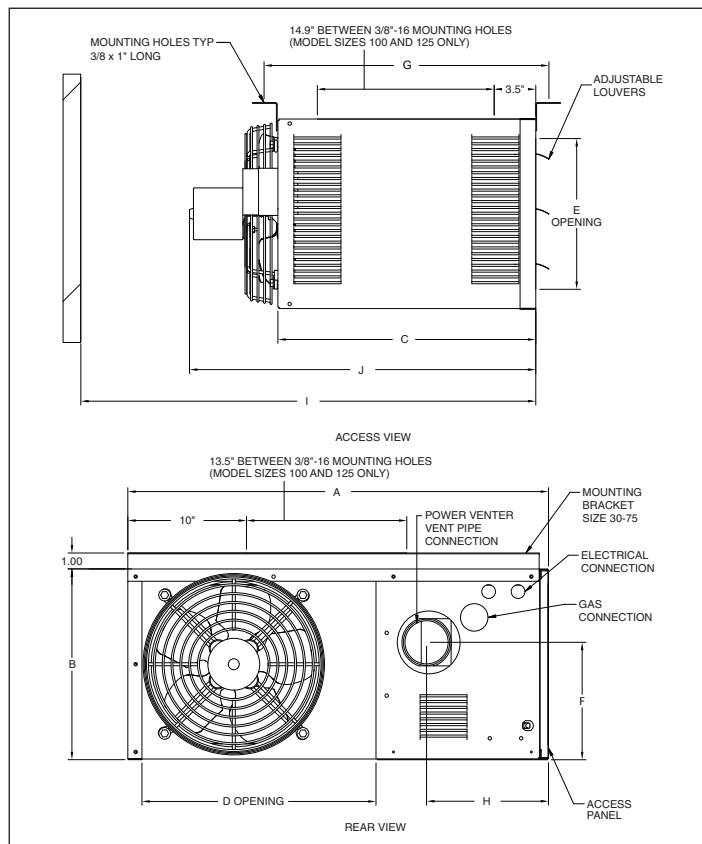
	Model HDB Sizes			
	60	75	100	125
Btu/Hr Input ①	60,000	75,000	100,000	125,000
Btu/Hr Output ①	49800	61,500	82,000	102,500
Entering Airflow Range (CFM)	635-1111	794-1389	1140-2116	1235-2058
Outlet Velocity (FPM)	437-726	546-908	443-781	488-773
Air Temp. Rise (°F)	40-70	40-70	35-65	45-75
Max. Mounting Height (Ft.) ②	7-13	7-16	8-19	8-17
Heat Throw (Ft.) (@ Max Mtg Ht.) ②	20-45	24-57	27-68	27-59
Motor Type	PSC	PSC	PSC	PSC
Motor HP	1/4	1/3	1/2	1/2
Motor RPM	Max 1100	Max 1100	Max 1100	Max 1100

① Ratings shown are for elevations up to 2,000 feet. For elevations above 2,000 feet, ratings should be reduced at the rate of 4% for each 1,000 feet above sea level. (In Canada see rating plate.) Reduction of ratings requires use of a high altitude kit.
 ② Data taken at 55°F air temperature rise. At 65°F ambient and unit fired at full-rated input. Mounting height as measured from bottom of unit, and without deflector hoods.

DIMENSIONAL DATA - MODEL HD/HDB

Propeller Units - Model HD

Figure 19.1 - Dimensional Drawings - Model HD



Blower Units - Model HDB

Figure 19.2 - Dimensional Drawings - Model HDB

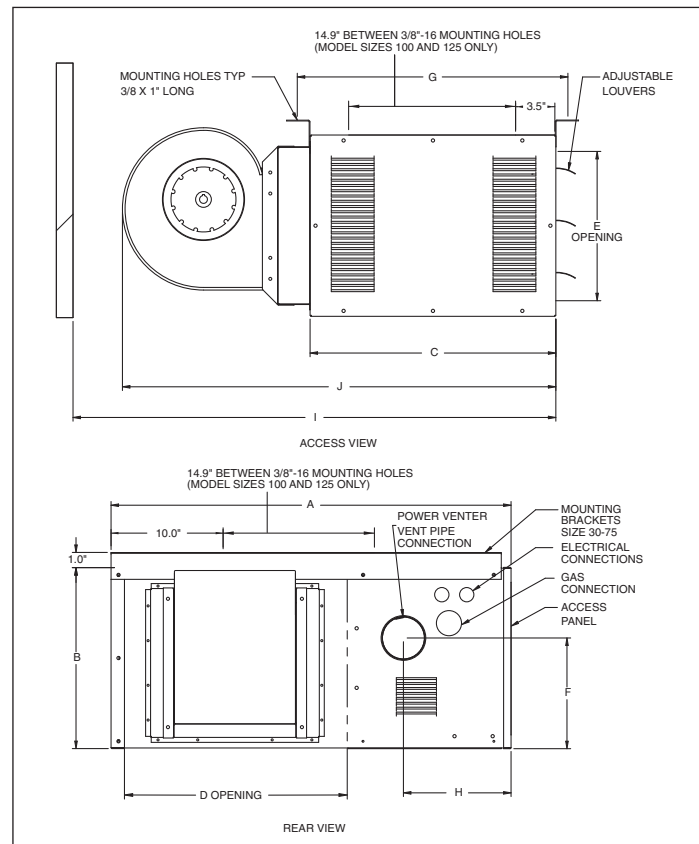


Table 19.1 - Dimensions (inches) - HD

Models	HD30	HD45	HD60	HD75	HD100/125
A	26.8	26.8	26.8	26.8	35.5
B	12.2	12.2	18.0	18.0	20.5
C	16.5	16.5	16.5	16.5	22.0
D	14.9	14.9	14.9	14.9	22.5
E	10.1	10.1	15.9	15.9	13.4
F	7.5	7.5	10.7	10.7	14.0
G	18.5	18.5	18.5	18.5	-
H	7.6	7.6	7.8	7.8	8.4
Gas Connection	1/2	1/2	1/2	1/2	1/2
I	34.5	34.5	34.5	34.5	43.0
J	22	22	25	25	31.0
Fan Diameter	10	10	14	14	18.0
Approx. Shipping Weight (lbs.)	67	72	92	97	143
Vent Connector Size (in)	3	3	3	3	4

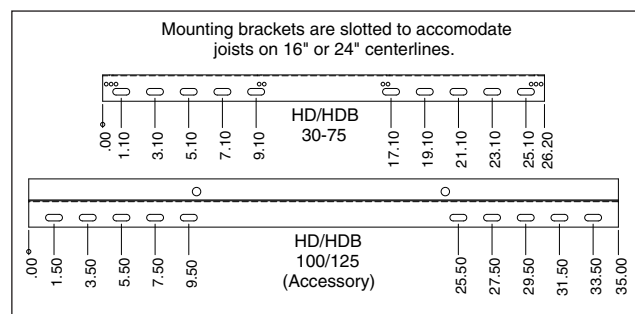
Table 19.2 - Dimensions (inches) - HDB

Models	HDB60	HDB75	HDB100/125
A	26.8	26.8	35.5
B	18.0	18.0	20.5
C	16.5	16.5	22.0
D	14.9	14.9	22.5
E	15.9	15.9	18.4
F	10.7	10.7	14.0
G	18.5	18.5	-
H	7.8	7.8	8.4
Gas Connection	1/2	1/2	1/2
I	34.5	34.5	44.5
J	25.0	25.0	41.5
Blower	9 - 7	9 - 7	10 - 10
Approx. Shipping Weight (lbs.)	92	97	151
Vent Connector Size (in)	3	3	4

Table 19.3 - Clearance to Combustibles, Model HD/HDB

Unit Side	Clearance to Combustible Material		Recommended Service Clearance
	HD	HDB	
Top and Bottom	1"	6"	18"
Access Side	1"	6"	18"
Non-Access Side	1"	6"	18"
Rear	18"	18"	18"
Vent Connector	4"	4"	18"

Figure 19.3 - Mounting



SERVICE / MAINTENANCE / TROUBLESHOOTING

WARNING

When servicing or repairing this equipment, use only factory-approved service replacement parts. A complete replacement parts list may be obtained by contacting the factory. Refer to the rating plate on the appliance for complete appliance model number, serial number, and company address. Any substitution of parts or controls not approved by the factory will be at the owner's risk.

CAUTION

1. Service or repair of this equipment must be performed by a qualified service agency.
2. Do not attempt to reuse any mechanical or electrical controllers which have been wet. Replace defective controller.

IMPORTANT

To check most of the Possible Remedies in the troubleshooting guide listed in Table 20.1, refer to the applicable sections of the manual.

General Maintenance

The unit and venting system must be checked once a year by a qualified service technician.

All installation and service of these units must be performed by a qualified installation and service agency.

Before any service, BE SURE TO TURN OFF GAS AT THE MANUAL SHUT-OFF VALVE AHEAD OF THE COMBINATION GAS CONTROL AND TURN OFF ALL ELECTRIC POWER TO THE HEATER.

1. Service air moving components annually.
 - a. Check fan for fit on motor shaft and for damage to blades.
2. Keep unit free from dust, dirt, grease, and foreign matter, paying particular attention to:
 - a. Combustion air inlets.
 - b. Burners and burner orifices. Turn off gas ahead of the combination gas control and shut off electric power to the heater. Remove the access panel, open the union on the gas line, and disconnect the igniter and sensor wires. Remove the screws that attach the burner tray to the header plate and remove the burner tray and manifold assembly from the heater. Carefully clean the burners with a wire brush or other suitable means. Replace any damaged or deteriorating burners or orifices. Install the burner assembly back on to the header making certain that all screws, pipes and electrical connections are tight.

CAUTION: Be careful when handling the igniter and flame sensor.

3. Inspect the flame sensor and igniter for deterioration and/or cracks.
4. Verify that the burners are touching each other at the carryover points. This will ensure flame carryover from burner to burner.
 - a. Clean exterior of heat exchanger tubes.
 - b. Fan blades.
5. Check wiring for possible loose connections.
6. Controls – The gas valves and piping should be checked annually for general cleanliness and tightness. The gas controls should be checked to insure that the unit is operating properly. See control instruction sheets furnished separately with the unit heater.
7. Power exhaust assembly/motor – The power exhaust motor bearings have been lubricated for long life and do not require additional lubrication. In dirty environments, it may be desirable to clean the motors and blower housing and blow out the cooling air passages of the motor with compressed air.
8. Perform periodic cleaning of inlet and vent terminal screens.

Table 20.1 - Troubleshooting

TROUBLE	POSSIBLE CAUSE	POSSIBLE REMEDY
Unit does nothing	<ol style="list-style-type: none"> 1. Power supply is off 2. No 24V power to thermostat 3. Thermostat malfunction 4. LED flashes 5. Blown fuse on control board 6. Defective control 	<ol style="list-style-type: none"> 1. Turn on main power 2 a. Check control transformer <ol style="list-style-type: none"> b. If failed transformer - check thermostat wire gage and length 3 a. Verify wire connections to R&W terminals only <ol style="list-style-type: none"> b. Check / replace thermostat 4. Check LED flash code 5. Replace fuse 6. Replace control
LED light off or flashing	<ol style="list-style-type: none"> 1. Blown fuse on control board 2. Multiple causes 	<ol style="list-style-type: none"> 1. Replace fuse 2. Control board LED flash codes vary with control type. A decal is installed in the unit giving a brief description of the applicable codes for your heater. For more detail, see the control board data sheet included with the unit.
Unit starts but does not ignite	<ol style="list-style-type: none"> 1. Main gas is off 2. Air in gas line 3. Main or manifold gas pressure 4. Check gas valve switch 	<ol style="list-style-type: none"> 1. Open manual gas valve 2. Purge gas line 3. Set gas pressures per manual instructions 4. Set gas valve switch to "ON" position
Unit goes through cycle but the burners go out in less than 10 seconds	<ol style="list-style-type: none"> 1. Reversed main power polarity 2. Unit not grounded 3. Flame not sensed 	<ol style="list-style-type: none"> 1. Black wire - HOT, White wire - NEUTRAL, Green wire - GROUND 2. Ground unit and verify quality of ground connection 3. Check flame sense probe and connection
Air circulating fan inoperable	<ol style="list-style-type: none"> 1. Loose connections 2. Defective control board 3. Defective fan motor 	<ol style="list-style-type: none"> 1. Check all connections 2. Check control board data sheet and function 3. Check fan motor

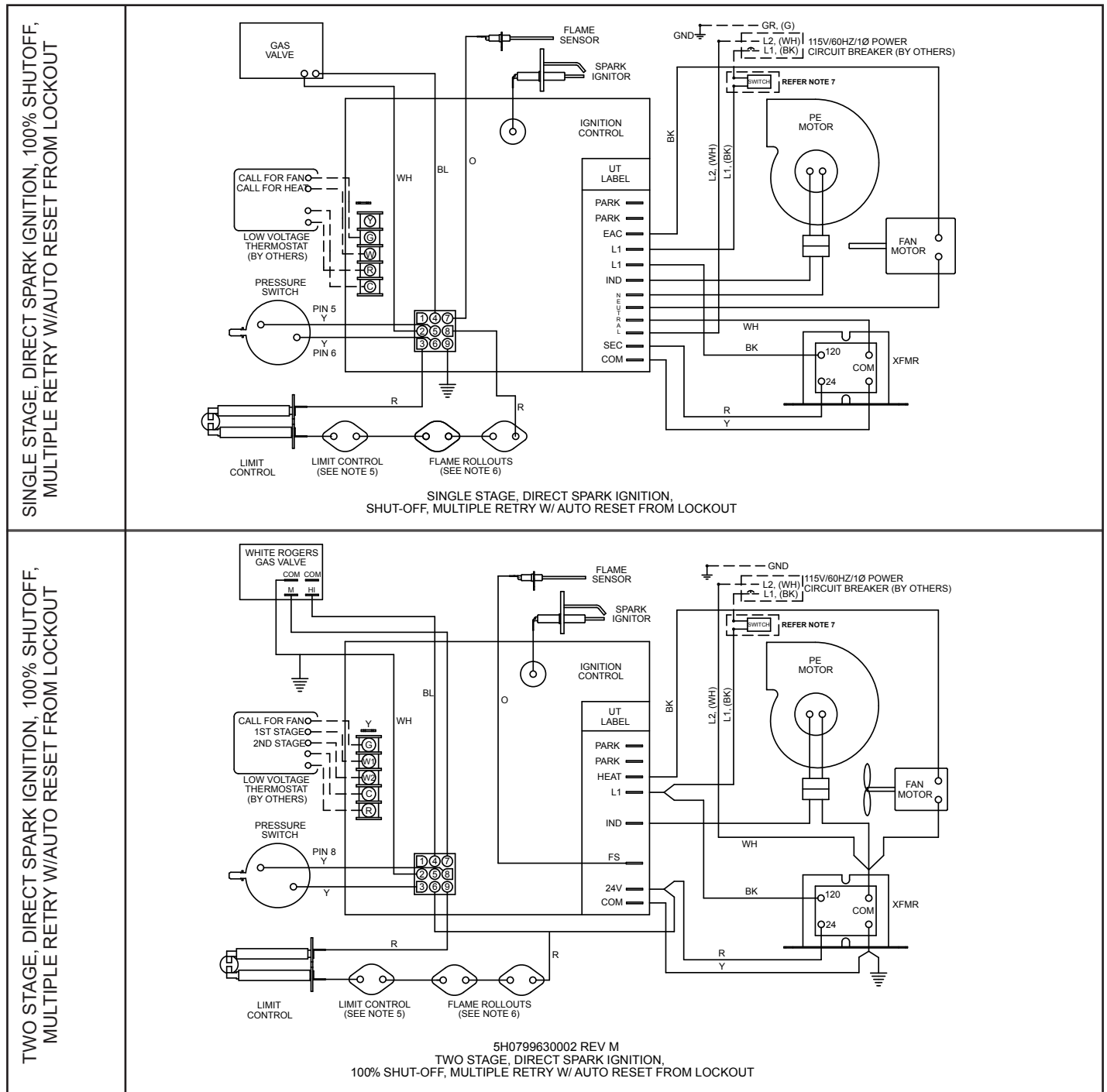
UNIT WIRING

Wiring Diagram Selection

Since internal or factory wiring may vary depending on the controls manufacturer, the wiring diagrams must be appropriately selected with the proper gas valve and ignition

type. The following wiring diagram represents a unit equipped with a single or two stage gas valve and direct spark ignition.

Figure 21.1 - Unit Heater Wiring Diagram (Single and Two Stage, Direct Spark Ignition)



NOTES TO INSTALLER:

1. ALL WIRING MUST COMPLY WITH NATIONAL ELECTRIC CODE AND ALL LOCAL CODES.
2. ALL COMPONENTS MUST AGREE WITH THEIR RESPECTIVE POWER SOURCE.
3. VERIFY THE POWER SOURCE AND THE UNIT POLARITY.
4. USE TYPE 105°C REPLACEMENT WIRE 300V OR GREATER.
5. USED ON PROPELLER MODELS 100 AND LARGER.
6. TWO SWITCHES: 30-75, ONE SWITCH: 100-125 NOT USED ON 150-400 UNITS.

CAUTION:

FAILURE TO WIRE THIS UNIT ACCORDING TO THIS WIRING DIAGRAM MAY RESULT IN INJURY TO THE INSTALLER OR USER. FOR DEVIATIONS CONTACT THE FACTORY.

MOTOR LEAD COLOR FOR DIRECT DRIVE BLOWER MOTORS

WH - NEUTRAL BL - MED
BK - HI RED - LO

ATTACH WIRES NOT USED TO "PARK" TERMINALS
UNITS ARE FACTORY WIRED FOR HIGH SPEED OPERATION.

WIRING LEGEND	
FACTORY WIRING	LINE
INTERNAL COMPONENT WIRING	24V
FIELD WIRING	
WIRE NUT	

◇ INDICATES TERMINAL BOARD CONNECTION

MODEL & SERIAL NUMBER / REPLACEMENT PARTS

Figure 22.1 - Model Number Designations (Remove access cover to locate)

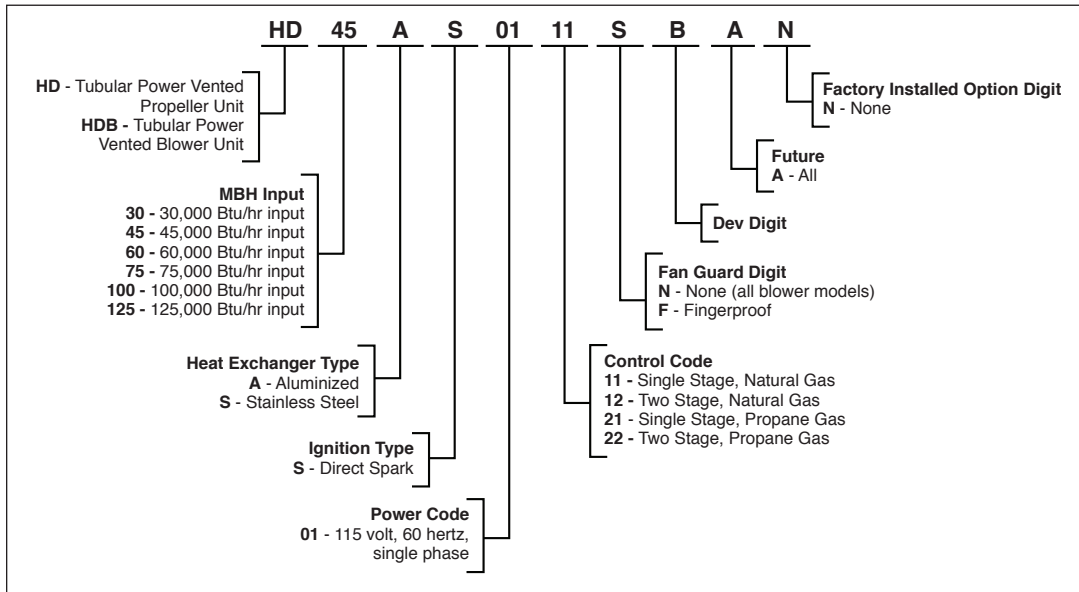
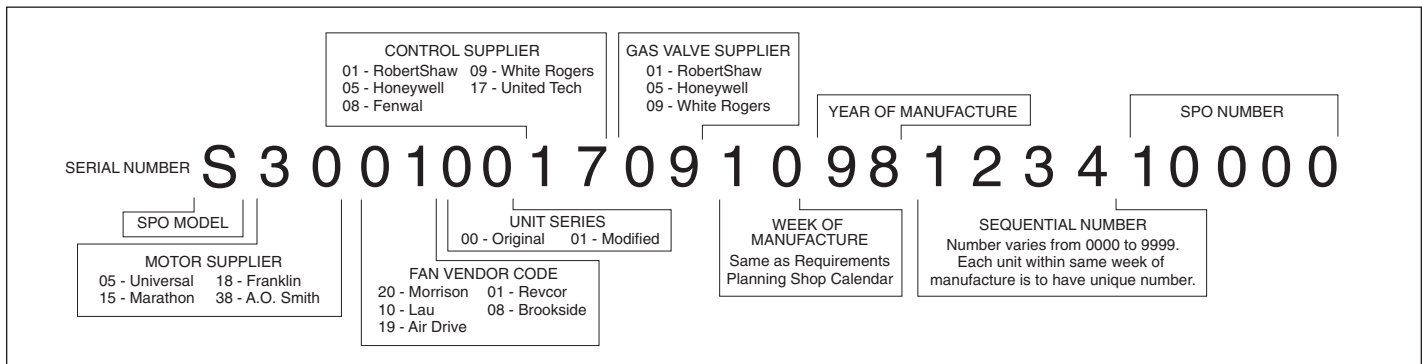


Figure 22.2 - Serial Number Designations (Remove access cover to locate)



Replacement Parts

When requesting parts please contact your local representative. Please have full model and serial number available. If you require assistance in locating your representative, please call the number located on the back page.

WARRANTY

This Warranty (the "Warranty") shall apply to Products (as defined below) sold by Modine Manufacturing Company, a Wisconsin corporation ("Seller") to you ("Buyer").

Seller hereby warrants that during the Applicable Warranty Period (as defined below) its Products shall be free from defects in material and factory workmanship under normal use and service, subject to the EXCLUSIONS described below and according to the terms outlined in this Warranty.

If Seller receives written notice of a breach of this Warranty prior to the end of the Applicable Warranty Period (which such notice shall include the model and serial numbers of the Product, as well as the date and a reasonably detailed description of the Product's alleged failure), Buyer shall with Seller's prior written approval, return the applicable Product or component thereof to Seller with shipping charges prepaid; if upon examination by Seller such Product or component thereof is disclosed to have been defective, then Seller will, without charge to Buyer, at Seller's option, either repair the Product, replace defective parts in the Product, or offer an entire replacement unit of the Product; provided that the warranty period for a Product that has been repaired or provided with replacement parts shall not extend beyond the original Applicable Warranty Period, nor shall any replacement parts provided for a Product be under any warranty beyond the original Applicable Warranty Period for the Product; similarly, if Seller provides an entire replacement unit of the Product, the warranty period for the replacement unit is limited to the remainder of the original Applicable Warranty Period. Seller shall have no responsibility for installation, service, field labor, shipping, handling, or other costs or charges, except as expressly provided in this Warranty. Buyer shall have no remedy hereunder for any defective part returned without proper written authorization from Seller, as described above.

For purposes of this Warranty and subject to the exclusions described below, the term "Products" shall mean parts or equipment manufactured by Seller, sold to Buyer pursuant to a purchase contract between Buyer and Seller (most often initiated by a purchase order issued by Buyer and accepted by Seller), and expressly described in such contract. The term "Products" shall not include third-party parts or equipment furnished by Seller, except that, to the extent assignable, Seller will assign to Buyer the benefits (together with all limitations and exclusions) of the third-party manufacturer's warranty for such parts or equipment. This Warranty extends only to the original purchase contract between Buyer and Seller and is nontransferable, except that this Warranty may be assigned to an Authorized End User (as defined below). All replaced parts or equipment shall become Seller's property. For purposes of this Warranty, the term "Applicable Warranty Period" shall mean the warranty period set forth in the table below for each type or class of Product described on the table; provided that, when the Product is to be used as a component part of equipment manufactured by Buyer, the Applicable Warranty Period shall be limited to one (1) year after the date of shipment from Seller, notwithstanding anything in the table below to the contrary. For purposes of this Warranty, the term "Authorized End User" shall mean any third-party that purchases the Product directly or indirectly from Buyer for the Authorized End User's own use upon the first installation of the Product and not for resale.

BUYER HEREBY ACKNOWLEDGES THAT ITS REMEDIES FOR BREACH OF THIS WARRANTY, EXCLUSIVE OF ALL OTHER REMEDIES PROVIDED BY LAW, ARE LIMITED AS DESCRIBED ABOVE.

EXCLUSIONS AND LIMITATIONS: This Warranty is subject to the following exclusions and limitations:

The term "Products" shall not include and this Warranty shall not apply to any of the following items: refrigerant gas, belts, filters, fuses and other items consumed or worn out by normal wear and tear.

In addition, this Warranty shall not apply to:

- (1) Products or components thereof that are damaged or adversely affected by conditions beyond Seller's control, including but not limited to polluted or contaminated or foreign matter contained in the air or water utilized for heat exchanger (condenser) cooling or if the failure of the part is caused by improper air or water supply, or improper or incorrect sizing of power supply;
- (2) Any Products or components thereof which have been repaired or altered outside the factory of Seller in any way, or otherwise subject to unauthorized repairs or alterations, so as, in the judgment of Seller, to affect the Product's durability or performance;
- (3) Materials or labor of any kind not furnished by Seller, or any charges for any such labor or materials, whether such labor, materials or charges thereon are due to replacement of parts, adjustments, repairs, or any other work done by any party other than Seller;
- (4) Labor or other costs incurred for diagnosing, repairing, removing, installing, shipping, servicing, or handling of either defective or replacement parts;
- (5) Any Products removed from their original location for reinstallation in another location;
- (6) Any Products or components thereof which have been operated, maintained, or serviced contrary to Seller's written installation, operation, and/or servicing instructions or owner's manual;
- (7) Damages resulting from operation with an inadequate or interrupted supply of air or water;
- (8) Any Products or components thereof which have been subjected to misuse, negligence, faulty installation, improper servicing, accident, excessive thermal shock, excessive humidity, physical damage, impact, abrasion, improper operation, or other operating conditions in excess of or contrary to those for which such equipment was designed;
- (9) With respect to gas-fired or oil-fired units, any Products or components thereof if the input to the Product exceeds the rated input (as indicated on the Product's serial plate) by more than five percent (5%);
- (10) Any Products or components thereof which, in the judgment of Seller, have been installed in a corrosive atmosphere, marine, or coastal application, subjected to corrosive fluids or gases, or damaged or adversely affected by the effects of the physical or chemical properties of water or steam or other liquids or gases used in the Products or any component thereof;
- (11) Damage or failure to start resulting from improper voltage conditions, blown fuses, open circuit breakers, or other

inadequacy or interruption of electrical service or fuel supply; or
 (12) Any Products or components thereof from which the serial number has been altered, defaced or removed.

BUYER AGREES THAT THE WARRANTIES AND REMEDIES DESCRIBED HEREIN ARE THE ONLY WARRANTIES AND REMEDIES PROVIDED BY SELLER WITH RESPECT TO THE PRODUCTS AND TO THE MAXIMUM EXTENT PERMITTED UNDER APPLICABLE LAW SHALL BE IN LIEU OF AND EXCLUSIVE OF ALL OTHER WARRANTIES AND REMEDIES WHATSOEVER, EITHER EXPRESS OR IMPLIED, WHETHER ARISING FROM LAW, COURSE OF DEALING, USAGE OF TRADE, OR OTHERWISE, **INCLUDING BUT NOT LIMITED TO WARRANTIES OF MERCHANTABILITY, FITNESS FOR A PARTICULAR PURPOSE, AND NON-INFRINGEMENT, EACH OF WHICH SELLER HEREBY EXPRESSLY DISCLAIMS.** SELLER NEITHER ASSUMES (NOR HAS AUTHORIZED ANY PERSON TO ASSUME) ANY OTHER WARRANTY OR LIABILITY IN CONNECTION WITH ANY PRODUCTS. REPRESENTATIONS AND CONDITIONS, EXPRESS OR IMPLIED BY STATUTE, TRADE USAGE, OR OTHERWISE, ARE EXCLUDED AND WILL NOT APPLY TO THE PRODUCTS UNDER THIS WARRANTY, EXCEPT FOR WARRANTIES WHICH BY LAW CANNOT BE EXCLUDED

OR LIMITED. Without limiting the foregoing, Seller makes no and specifically disclaims all representations and/or warranties that the Products will detect the presence of, or eliminate, prevent, treat, or mitigate the spread, transmission, or outbreak of any pathogen, disease, virus, or other contagion, including but not limited to COVID 19.

BUYER AGREES THAT IN NO EVENT WILL SELLER BE LIABLE FOR COSTS OF PROCESSING, LOST REVENUES OR PROFITS, INJURY TO GOODWILL, OR ANY OTHER SPECIAL, CONSEQUENTIAL, OR INCIDENTAL DAMAGES OF ANY KIND RESULTING FROM THE PURCHASE OF THE PRODUCTS, OR FROM BUYER'S USE OF ANY PRODUCT, WHETHER ARISING FROM BREACH OF WARRANTY, NONCONFORMITY TO ORDERED SPECIFICATIONS, DELAY IN DELIVERY, OR ANY OTHER LOSS SUSTAINED BY THE BUYER.

OPTIONAL SUPPLEMENTAL WARRANTY

Buyer may purchase from Seller a supplemental warranty with respect to Products which shall extend the Applicable Warranty Period as set forth in the express terms and conditions described in the supplemental warranty agreement. Such supplemental warranty terms may include an additional four (4) years on certain compressors, an additional five (5) years "all parts" warranty, an additional four (4) or nine (9) years on certain heat exchangers, and/or such additional supplemental warranty terms as Seller chooses to make available to its customers from time to time.

COMPONENT	APPLICABLE MODELS		APPLICABLE WARRANTY PERIOD (WHICHEVER OCCURS FIRST)	
			Time from Date of First Beneficial Use by Buyer or Authorized End User	Time from Date of Shipment from Seller
Heat Exchangers and/or Coils	Gas Fired Unit Heaters with Tubular Style Heat Exchangers (e.g. HD, HDS, PTX, BTX, etc)	Aluminized or Stainless Steel	10 YEARS	126 MONTHS
	Gas Fired Unit Heaters with Clam-Shell Style Heat Exchangers (e.g. PDP, BDP, etc.)	Aluminized Steel (not in high-humidity applications)	10 YEARS (must be Stainless Steel in high-humidity applications)	126 MONTHS
		Aluminized Steel (in high-humidity applications)	1 YEAR	18 MONTHS
		Stainless Steel	10 YEARS	126 MONTHS
	Low Intensity Infrared Units		5 YEARS	66 MONTHS
	Indoor and Outdoor Duct Furnaces and System Units, Steam/Hot Water Units, Oil-Fired Units, Electric Units, Cassettes, Vertical Unit Ventilators, Geothermal Units		1 YEAR	18 MONTHS
Burners and Elements	Low Intensity Infrared Units		2 YEARS	30 MONTHS
	High Intensity Infrared and Electric Infrared Units		1 YEAR	18 MONTHS
Compressors	Condensing Units for Cassettes		5 YEARS	66 MONTHS
	Vertical Unit Ventilators, Geothermal Units		1 YEAR	18 MONTHS
Sheet Metal Parts	All Products		1 YEAR	18 MONTHS
Components, excluding Heat Exchangers, Coils, Condensers, Burners, Sheet Metal	All Products		2 YEARS	30 MONTHS

As Modine Manufacturing Company has a continuous product improvement program, it reserves the right to change design and specifications without notice.



© Modine Manufacturing Company 2024

Modine Manufacturing Company
 1500 DeKoven Avenue
 Racine, WI 53403
 Phone: 1.800.828.4328 (HEAT)
 www.modinehvac.com



Puisque Modine Manufacturing Company a un programme d'amélioration permanente de ses produits, elle se réserve le droit de modifier la conception et les caractéristiques techniques sans préavis.

PÉRIODE DE GARANTIE APPLICABLE (SELON LA PREMIÈRE ÉVENTUALITÉ)		MODÈLES APPLICABLES		COMPOSANT
Période à compter de la première utilisation par l'Acheteur ou l'Utilisateur final autorisé		Période à compter de la date d'expédition par le Vendeur		
126 MOIS	10 ANS	Acier inoxydable ou Acier aluminisé pas humidité élevée)	Appareils de chauffage au gaz avec échangeurs de chaleur de style tubulaire (par ex., HD, HDS, PTX, BTX, etc.)	Échangeurs thermiques ou serpents
126 MOIS	10 ANS (doit être en acier inoxydable dans les applications à humidité élevée)	Acier aluminisé (dans les applications à humidité élevée)	Appareils de chauffage au gaz avec échangeurs de chaleur de style grappin (par ex., PDP, BDP, etc.)	
18 MOIS	1 AN	Acier inoxydable	Modèles infrarouges à faible intensité	
66 MOIS	5 ANS	Acier inoxydable	Modèles infrarouges à haute intensité et infrarouges électriques	
126 MOIS	10 ANS	Acier inoxydable	Modèles infrarouges à faible intensité	
18 MOIS	1 AN	Acier inoxydable	Modèles infrarouges à faible intensité	
126 MOIS	10 ANS	Acier inoxydable	Modèles infrarouges à faible intensité	
18 MOIS	1 AN	Acier inoxydable	Modèles infrarouges à faible intensité	
18 MOIS	1 AN	Acier inoxydable	Modèles infrarouges à faible intensité	
30 MOIS	2 ANS	Tous les produits	Tous les produits	
18 MOIS	1 AN	Condenseurs pour cassettes	Condenseurs pour cassettes	Compresseurs
18 MOIS	1 AN	Ventilateurs verticaux, appareil géothermiques	Ventilateurs verticaux, appareil géothermiques	
18 MOIS	1 AN	Pièces en tôle	Pièces en tôle	Échangeurs thermiques, les serpents, les condenseurs, les brûleurs, la tôle
30 MOIS	2 ANS	Tous les produits	Tous les produits	

(12) aux Produits ou composants de ces derniers dont le numéro de série a été modifié, dégradé ou retiré.

L'ACHETEUR CONVIENT QUE LES GARANTIES ET LES RECOURS DÉCRITS AUX PRÉSENTS SONT LES SEULES GARANTIES ET LES SEULS RECOURS FOURNIS PAR LE VENDEUR EN CE QUI CONCERNE LES PRODUITS, ET DANS LA PLUS GRANDE MESURE PERMISE PAR LA LOI EN VIGUEUR, ILS REMPLACENT ET EXCLUENT TOUTES LES AUTRES GARANTIES ET TOUTS LES AUTRES RECOURS QUI SOIENT EXPLICITES OU IMPLICITES, DÉCOULANT DE LA LOI, D'UNE TRANSACTION, DE L'USAGE DU COMMERCE OU AUTREMENT, Y COMPRIS, SANS S'Y LIMITER, LES GARANTIES DE VALEUR MARCHANDE, D'ADAPTATION À UN USAGE PARTICULIER ET DE NON-CONTREFAÇON, AUXQUELS LE VENDEUR RENONCE EXPRESSÉMENT PAR LES PRÉSENTS. LE VENDEUR N'ASSUME PAS (ET N'A PAS AUTORISÉ QUICUNQUE À ASSUMER) TOUTE AUTRE GARANTIE OU RESPONSABILITÉ RELATIVEMENT AUX PRODUITS. LES REPRÉSENTATIONS ET LES CONDITIONS, EXPRESSES OU IMPLICITES PAR STATUT, USAGE DU COMMERCE OU AUTREMENT, SONT EXCLUES ET NE S'APPLIQUENT PAS AUX PRODUITS EN VERTU DE LA PRÉSENTE GARANTIE, À L'EXCEPTION DES GARANTIES QUI NE PEUVENT PAS ÊTRE EXCLUES OU LIMITÉES SELON LA LOI.

Sans limiter ce qui précède, le Vendeur n'effectue aucune déclaration et renonce spécifiquement à toute garantie que les Produits détecteront la présence, élimineront, traiteront ou atténueront la propagation, la transmission ou l'éruption de pathogènes, maladies, virus ou autres contagions, y compris, sans s'y limiter, la COVID-19.

L'ACHETEUR CONVIENT QUE LE VENDEUR SERA EN AUCUN CAS RESPONSABLE DES COÛTS DE TRAITEMENT, DES PERTES DE REVENUS OU DE PROFITS, DES PERTES D'ACHALANDAGE OU D'AUTRES DOMMAGES SPÉCIAUX, INDIRECTS OU CONSÉCUTIFS DE TOUTE SORTIE DÉCOULANT DE L'ACHAT DES PRODUITS OU DE L'UTILISATION DE TOUT PRODUIT PAR L'ACHETEUR, QU'ILS SOIENT LE RÉSULTAT DU NON-RESPECT DE LA GARANTIE, D'UNE NON-CONFORMITÉ AUX SPÉCIFICATIONS DE COMMANDE, DE RETARDS DE LIVRAISON OU DE TOUTE AUTRE PÉRIODE DE PERTES SUBIE PAR L'ACHETEUR. GARANTIE SUPPLÉMENTAIRE EN OPTION

L'Acheteur peut se procurer auprès du Vendeur une garantie supplémentaire relative aux Produits qui prolongera la Période de garantie applicable qui est établie dans les conditions expressement décrites dans l'accord de garantie supplémentaire. Les conditions d'une telle garantie supplémentaire peuvent comprendre une période supplémentaire de quatre (4) ans sur certains compresseurs, une garantie supplémentaire de cinq (5) ans sur toutes les pièces « ; une période supplémentaire de quatre (4) ou neuf (9) ans sur certains échangeurs de chaleur ou d'autres conditions de garantie supplémentaire que le Vendeur peut accepter d'offrir à ses clients de temps à autre.

GARANTIE COMMERCIALE

La présente garantie (« Garantie ») s'applique aux Produits (tels qu'ils sont définis ci-dessous) vendus par Modine Manufacturing Company, une entreprise du Wisconsin (le « Vendeur ») à vous Company, une entreprise du Wisconsin (le « Vendeur »).

(l'« Acheteur »).

Durant la Période de garantie applicable (telle que définie ci-dessous), le Vendeur garantit par les présentes que ses Produits seront exempts de défauts de matériaux et de fabrication en usine dans des conditions normales d'utilisation et d'entretien, assujettie aux EXCLUSIONS décrites ci-dessous et conformément aux conditions établies dans la présente Garantie.

Si le Vendeur reçoit un avis écrit d'une violation à la présente Garantie avant la fin de la Période de garantie applicable (et un tel avis doit comprendre les numéros de modèle et de série du Produit, ainsi que la date et une description raisonnablement détaillée de la soi-disant défaillance), l'Acheteur, après avoir obtenu l'approbation écrite du Vendeur, retournera le Produit au Vendeur et le composant du produit en question en prépayant les frais d'envoi; si, après examen du Produit ou du composant de ce dernier par le Vendeur, il est déterminé que l'article est défectueux, le Vendeur, à sa discrétion et sans aucuns frais pour l'Acheteur, réparera le Produit, remplacera les pièces défectueuses du Produit ou offrira une unité de rechange complète du Produit; à condition que la période de garantie d'un Produit qui a été réparé ou sur lequel des pièces de rechange ont été installées ne dépasse pas la Période de garantie applicable d'origine, de même que des pièces de rechange fournies pour un Produit ne seront pas couvertes par la garantie au-delà de la Période de garantie applicable du Produit; de façon similaire, si le Vendeur fournit une unité de rechange complète pour le Produit, la période de garantie de l'unité de rechange se limite au reste de la Période de garantie applicable d'origine. Le Vendeur ne sera pas responsable de l'installation, de l'entretien, de la main-d'œuvre sur le terrain, des frais d'expédition et de maintenance ou des autres frais et coûts, à l'exception de ce qui est spécifiquement prévu dans la présente Garantie. L'Acheteur n'aura pas de recours en vertu des présentes si une pièce défectueuse est retournée dans l'autorisation écrite préalable du Vendeur, tel que décrit ci-dessous.

Pour les besoins de la présente Garantie et assujetti aux exclusions décrites ci-dessous, le terme « Produits » signifie des pièces ou de l'équipement fabriqués par le Vendeur, vendus à l'Acheteur en vertu d'un contrat d'achat conclu entre l'Acheteur et le Vendeur (initié le plus souvent par un bon de commande émis par l'Acheteur) ne s'applique qu'au contrat d'achat d'origine entre l'Acheteur et le Vendeur et elle ne peut pas être transférée, sauf qu'elle peut être cédée à un Utilisateur final autorisé (tel que défini ci-dessous). Toutes les pièces et tous les équipements remplacés deviennent la propriété de l'Acheteur. Pour les besoins de la présente Garantie, la période de garantie applicable « signifie la période de garantie établie dans le tableau ci-dessous pour chaque type ou chaque catégorie de Produit décrits dans le tableau; à condition que, lorsqu'un Produit sera utilisé comme composant d'un équipement fabriqué par l'Acheteur, la Période de garantie applicable se limitera à un (1) an après la date d'expédition par le Vendeur, nonobstant toute disposition contractaire dans le tableau ci-dessous. Pour les besoins de la présente Garantie, le terme « Utilisateur final autorisé » signifie un tiers qui achète le Produit directement ou indirectement de l'Acheteur pour l'usage de l'Utilisateur final autorisé dès la première installation du Produit et non pour la revente.

L'ACHETEUR RECONNAÎT PAR LES PRÉSENTES QUE SES RECOURS POUR TOUTE VIOLATION À LA GARANTIE, À L'EXCLUSION DE TOUTS LES AUTRES RECOURS OFFERTS PAR LA LOI, SE LIMITENT À CE QUI EST DÉCRIT CI-DESSUS.

EXCLUSIONS ET LIMITES : La présente Garantie est assujettie aux exclusions et limites suivantes :

Le terme « Produits » ne comprend pas et la présente Garantie ne s'applique pas à l'un ou l'autre des articles suivants : les gaz frigorigènes, courroies, filtres, fusibles et autres articles consommés ou usés dans le cadre d'une usure normale.

De plus, la présente Garantie ne s'applique pas :

- (1) aux produits ou composants de ces derniers qui sont endommagés ou défavorablement affectés par des conditions hors du contrôle du Vendeur, y compris, sans s'y limiter, des matières polluées, contaminées ou étrangères se trouvant dans l'air ou l'eau utilisés pour le refroidissement de l'échangeur thermique (condenseur) ou si la défaillance de la pièce est causée par une alimentation inadéquate en air ou en eau ou par la puissance inappropriée de l'alimentation électrique;
- (2) aux produits ou composants de ces derniers qui ont été réparés ou modifiés de quelque façon à l'extérieur de l'usine du Vendeur, ou qui ont été autrement soumis à des réparations ou modifications non autorisées de manière à, selon l'avis du Vendeur, affecter la durabilité ou la performance du Produit;
- (3) aux matériaux ou à la main-d'œuvre de toute sorte non fournis par le Vendeur, ou aux frais liés à une telle main-d'œuvre ou de tels matériaux, que la main-d'œuvre, les matériaux ou les frais s'y rapportant résultent d'un remplacement de pièces, d'ajustements, de réparations ou de tout autre travail effectué par une partie autre que le Vendeur;
- (4) à la main-d'œuvre ou aux autres frais encourus pour le diagnostic, la réparation, le retrait, l'installation, l'expédition, l'entretien ou la manipulation de pièces défectueuses ou de rechange;
- (5) aux produits retirés de leur emplacement original pour réinstallation à un autre endroit;
- (6) aux produits ou composants de ces derniers qui ont été utilisés, entretenus ou réparés contrairement aux directives écrites d'installation, de fonctionnement ou d'entretien ou au manuel d'utilisation du Vendeur;
- (7) aux dommages découlant de l'utilisation au moyen d'une alimentation en eau ou en air inadéquate ou interrompue;
- (8) aux Produits ou composants de ces derniers qui ont été soumis à une mauvaise utilisation, de la négligence, une installation défectueuse, un entretien inadéquat, un accident, un choc thermique excessif, une humidité excessive, des dommages physiques, un impact, de l'abrasion, un mauvais fonctionnement ou toute autre condition de fonctionnement qui dépasse ou qui est contraire à celles pour lesquelles l'équipement a été conçu;
- (9) en ce qui concerne les unités au gaz ou au mazout, tous les Produits ou les composants de ces derniers si l'alimentation vers le Produit dépasse la puissance nominale (indiquée sur la plaque signalétique du Produit) de plus de cinq pour cent (5%);
- (10) aux Produits ou composants de ces derniers qui, selon l'avis du Vendeur, ont été installés dans une atmosphère corrosive, une application marine ou côtière, soumis à des liquides ou gaz corrosifs ou endommagés ou affectés négativement par les effets des propriétés physiques ou chimiques de l'eau ou de la vapeur ou des autres liquides ou gaz utilisés dans les Produits ou les composants de ces derniers;
- (11) aux dommages ou à l'échec du démarrage découlant d'une mauvaise tension, de fusibles grillés, de disjoncteurs ouverts ou de toute autre insuffisance ou interruption du service électrique ou de l'alimentation en carburant; ou

NUMÉRO DE SÉRIE ET DE MODÈLE ET PIÈCES DE RECHANGE

Figure 22.1 - Composition du numéro de modèle (ouvrez le panneau d'accès)

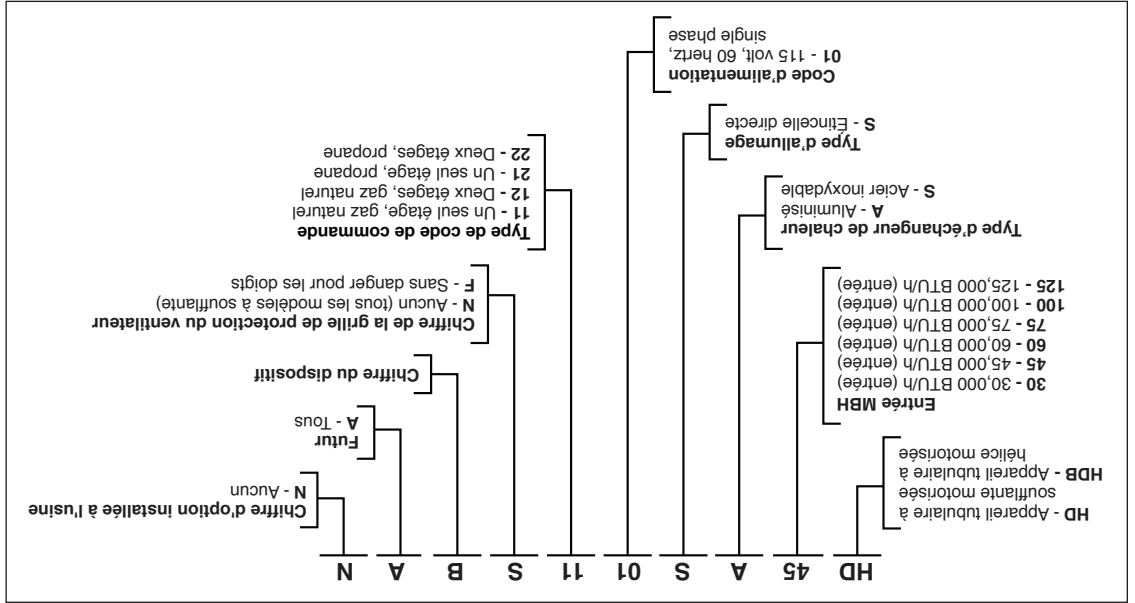
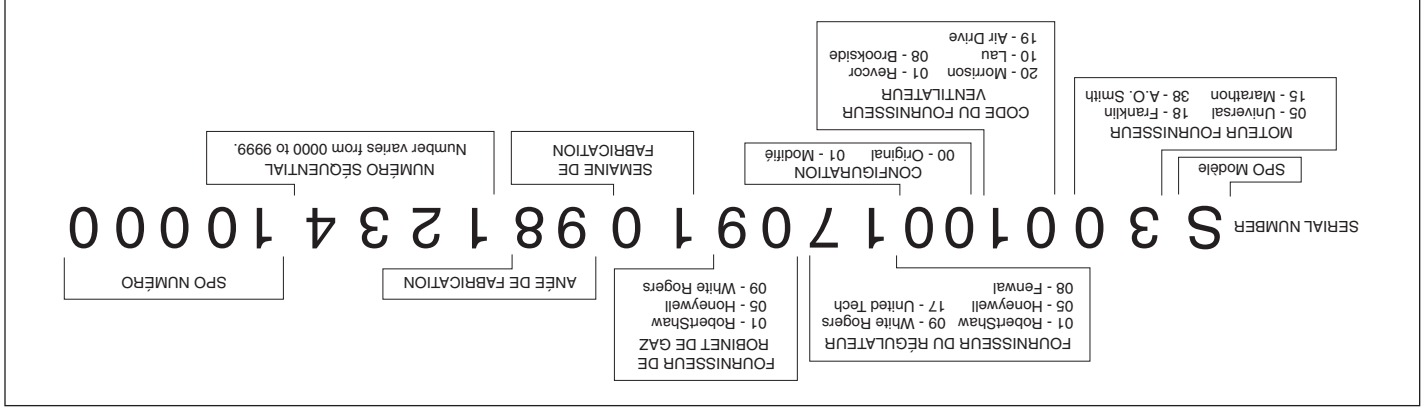


Figure 22.2 - Composition du numéro de série (retirez le panneau d'accès)



Pièces de rechange
Pour commander des pièces, adressez-vous à votre représentant local. Vous aurez besoin du numéro de modèle complet et du numéro de série. Si vous avez besoin d'aide pour localiser votre représentant, appelez au numéro qui figure sur la dernière page du manuel.

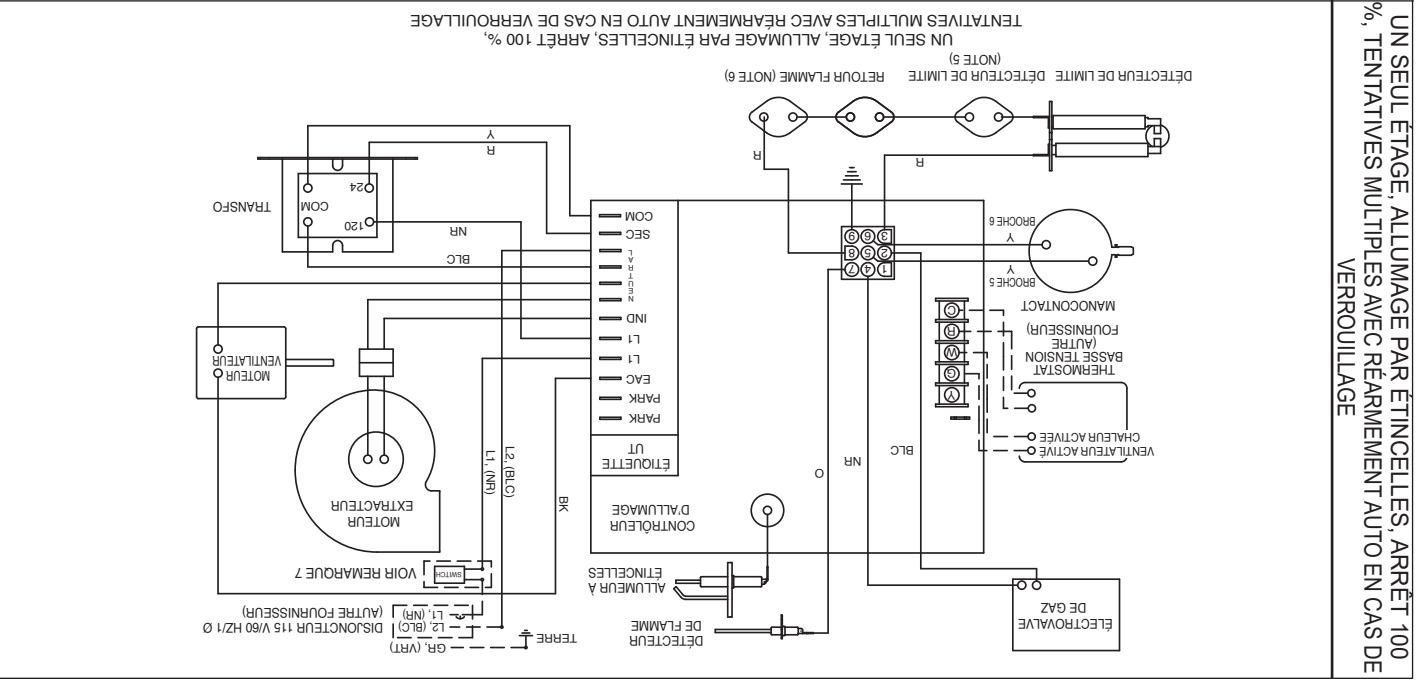
CÂBLAGE DE L'APPAREIL

Choix du schéma de câblage

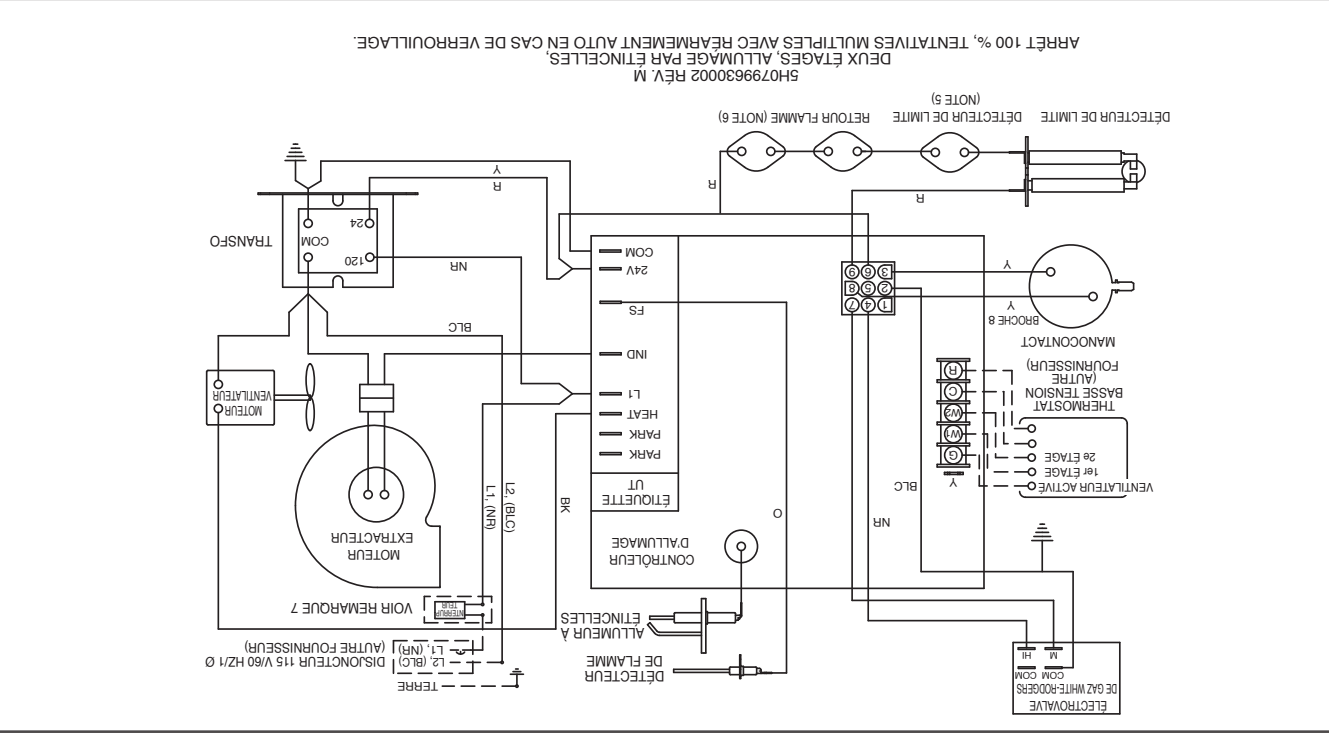
Le câblage interne ne posé en usine et le câblage dépend du modèle de contrôleur installé et il est important de choisir les schémas qui correspondent aux types de régulateur de gaz et d'allumeur de l'appareil.

Le schéma suivant est celui d'un appareil équipé d'un régulateur à un ou à deux étages, avec allumage direct à étincelles.

Figure 21.1 - Schéma de câblage de l'appareil (un ou deux étages, allumage direct à étincelles)



UN SEUL ÉTAGE; ALLUMAGE PAR ÉTINCELLES, ARRÊT 100% TENTATIVES MULTIPLES AVEC RÉARMEMENT AUTO EN CAS DE VERROUILLAGE



DEUX ÉTAGES; ALLUMAGE PAR ÉTINCELLES, ARRÊT 100% TENTATIVES MULTIPLES AVEC RÉARMEMENT AUTO EN CAS DE VERROUILLAGE

ATTENTION : UN CÂBLAGE NON CONFORME À CE SCHEMA PEUT CAUSER DES BLESSURES À L'INSTALLATEUR OU À L'UTILISATEUR. CONSULTER LE FABRICANT AVANT TOUTE MODIFICATION.

1. TOUTS LES CÂBLAGES DOIVENT ÊTRE CONFORMES AU NATIONAL ELECTRIC CODE ET AUX CODES LOCAUX.

2. TOUTS LES COMPOSANTS DOIVENT ÊTRE CONÇUS POUR LES CARACTÉRISTIQUES DU COURANT LOCAL.

3. VÉRIFIEZ LA TENSION DE LA SOURCE D'ALIMENTATION ET LA POLARITÉ DE L'APPAREIL.

4. POUR TOUT REMPLACEMENT, UTILISEZ DU FIL TYPE 105-C-300 V OU PLUS.

5. UTILISÉZ SUR LES MODÈLES À HÉLICE 100 ET PLUS GROS.

6. DEUX INTERRUPTEURS : 30-75 UN INTERRUPTEUR : 100-125 INTUITÉ SUR LES APPARELS 150-400.

7. SECTIONNEUR EN OPTION.

LES FILS NON UTILISÉS DOIVENT ÊTRE ATTACHÉS AUX BORNES PARK NR - NEUTRE BLC - LO (GAS) BU - MED (MOYEN) NR - HI (FORT)

COULEUR DE CONDUCTEURS POUR MOTEURS DE SOUFFLANT À TRANSMISSION DIRECTE SEULEMENT. BLC - NEUTRE NR - HI (FORT) NR - MED (MOYEN) NR - LO (GAS)

LES FILS NON UTILISÉS DOIVENT ÊTRE ATTACHÉS AUX BORNES PARK APPARELS CÂBLÉS POUR UN FONCTIONNEMENT À GRANDE VITESSE.

LÉGENDE DU SCHEMA DE CÂBLAGE

SECTIONNEUR 24V

CÂBLAGE D'USINE

CÂBLAGE DES COMPOSANTS INTERNES

CÂBLAGE À L'INSTALLATION

BORNE À VIS

CONNEXIONS AU BORNIER

AVERTISSEMENT

Pour l'entretien et les réparations de cet appareil, n'utiliser que des pièces d'origine certifiées. Pour la liste complète des pièces de rechange, adressez-vous au fabricant. Le numéro de modèle complet, le numéro de série et l'adresse du fabricant figurent sur la plaque signalétique fixée à l'appareil. Toute substitution de pièce ou de commande non approuvée par le fabricant sera aux risques du propriétaire.

ATTENTION

1. L'entretien et les réparations de l'appareil doivent être confiés à un centre de SAV qualifié.
2. Ne tentez pas de réutiliser un contrôleur mécanique ou électronique qui a été mouillé. Remplacez tout contrôleur défectueux.

IMPORTANT

Pour essayer la plupart des Solutions possibles suggérées dans le tableau de dépannage 20.1, reportez-vous aux sections correspondantes du manuel.

Maintenance générale

L'appareil et le système d'évacuation des gaz doivent être vérifiés une fois par an par un technicien d'entretien qualifié. **Toutes les opérations d'installation et d'entretien doivent être confiées à une entreprise qualifiée.**

Avant toute intervention D'ENTRETIEN, ASSUREZ-VOUS DE FERMER LE ROBINET D'ARRÊT MANUEL, SITUÉ EN AMONT DU RÉGULATEUR DE GAZ COMBINÉ, ET COUPEZ L'ALIMENTATION ÉLECTRIQUE DE L'APPAREIL.

Tableau 20.1 - Dépannage

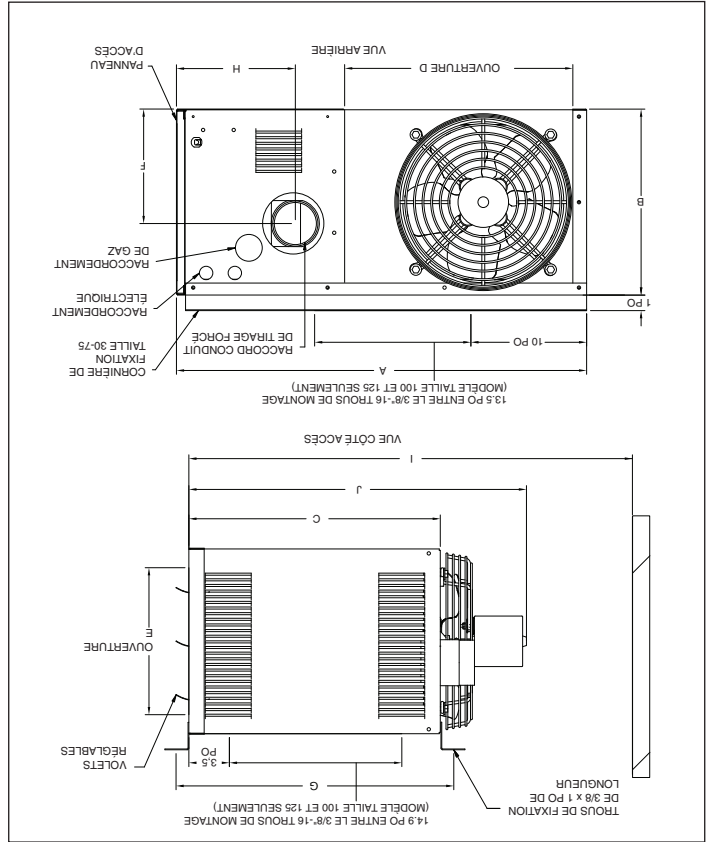
PROBLÈME	CAUSE POSSIBLE	SOLUTION POSSIBLE
L'appareil ne fait rien.	1. Pas d'alimentation électrique 2. Pas de courant 24 V au thermostat 3. Thermostat défectueux.	1. Mettez sous tension. 2 a. Vérifiez le transformateur de commande b. Si le transformateur ne fonctionne pas – vérifiez le calibre et la longueur des fils du thermostat. 3 a. Vérifiez les connexions des bornes R et W seulement b. Vérifiez/Remplacez le thermostat. 4. Vérifiez le code de clignotement DEL 5. Remplacez le fusible. 6. Remplacez l'ensemble de commande
Del éteinte ou clignotante	1. Fusible grillé sur la carte contrôleur 2. Causes multiples	1. Remplacez le fusible 2. Code de clignotement DEL du tableau de commande varie avec le type de commande. Un décalque est installé sur l'appareil avec la description des codes applicables pour l'appareil de chauffage. Pour plus de détails, consultez la fiche technique de la carte contrôleur, qui est fournie avec cet appareil.
L'appareil démarre mais le gaz ne s'allume pas.	1. Arrivée de gaz fermée 2. Le tuyau de gaz est rempli d'air. 3. Pression de la conduite principale ou du collecteur de gaz 4. Ouvrez le robinet d'arrêt de gaz.	1. Ouvrez le robinet de gaz manuel 2. Purgez le tuyau de gaz. 3. Réglez les pressions de gaz selon les instructions du manuel. 4. Vérifiez le robinet d'arrêt manuel.
Le cycle d'allumage se déroule normalement, mais les brûleurs s'éteignent en moins de 10 secondes. Le ventilateur de circulation d'air ne fonctionne pas	1. Branchement du secteur électrique inversé 2. L'appareil n'est pas à la terre. 3. Flamme non détectée	1. Fil noir = PHASE, fil blanc = NEUTRE, fil vert = TERRE 2. Rectifiez la mise à la terre et mesurez sa résistance. 3. Vérifiez la sonde et les connexions du détecteur.
d'air ne fonctionne pas	1. Connexions mal serrées 2. Tableau de commande défectueux 3. Moteur du ventilateur défectueux	1. Vérifiez toutes les connexions. 2. Vérifiez la feuille technique du tableau de commande et le fonctionnement. 3. Vérifiez le moteur du ventilateur.

- Entretien annuel des composants de transport de l'air.
a. Vérifiez que l'hélice du ventilateur est bien fixée sur l'arbre du moteur et que ses pales ne sont pas endommagées.
2. L'appareil doit être nettoyé de toute accumulation de poussière, saleté, graisse et matières étrangères, avec une attention particulière portée aux éléments suivants :
a. Entrées d'air de combustion.
b. Brûleurs et leurs orifices calibrés. Fermez le gaz en amont du régulateur combiné et coupez l'alimentation électrique de l'appareil. Retirez le panneau d'accès, ouvrez le raccord union de la conduite de gaz et déconnectez les fils de l'allumeur et du détecteur. Enlevez les vis qui retiennent le plateau des brûleurs sur la plaque de tête et sortez le plateau des brûleurs et l'ensemble collecteur. Nettoyez soigneusement les brûleurs avec une brosse métallique ou un moyen similaire.
Remplacez tout brûleur ou orifice calibré endommagé ou présentant des signes de détérioration. Réinstallez l'ensemble de brûleurs sur la plaque de tête en vous assurant de bien serrer les vis, les raccords et les connexions électriques.
ATTENTION : Manipulez l'allumeur et le détecteur de flamme avec précaution.
3. Inspectez le détecteur de flamme et l'allumeur en recherchant les détériorations et les fissures.
4. Vérifiez que les brûleurs se touchent aux points de transmission. Ces points assurent la transmission de la flamme d'un brûleur à l'autre.
a. Nettoyez l'extérieur des tubes de l'échangeur.
b. Pales du ventilateur.
5. Assurez-vous qu'il n'y a pas de connexions desserrées.
6. Commandes – Les robinets et les tuyauteries de gaz doivent être vérifiées chaque année afin de s'assurer qu'ils sont propres et étanches. Les commandes de gaz doivent être vérifiées afin de s'assurer que l'appareil fonctionne bien. Lisez les instructions d'entretien séparées, fournies avec l'appareil.
7. Moteur d'extraction – Les roulements du moteur d'extraction sont lubrifiés à vie et ne nécessitent aucun graissage supplémentaire. Dans les environnements sales, il faudra peut-être nettoyer l'intérieur des moteurs et les carters de soufflerie en dirigeant un jet d'air comprimé dans les passages de refroidissement du moteur. Les filtres à toile métallique d'entrée et de sortie doivent être périodiquement nettoyés.

DIMENSIONS – MODÈLE HD/HDB

Modèle à hélice – Modèle HD

Figure 19.1 - Plans cotés – Modèle HD



Modèles à souffiante – Modèle HDB

Figure 19.2 - Plans cotés – Modèle HDB

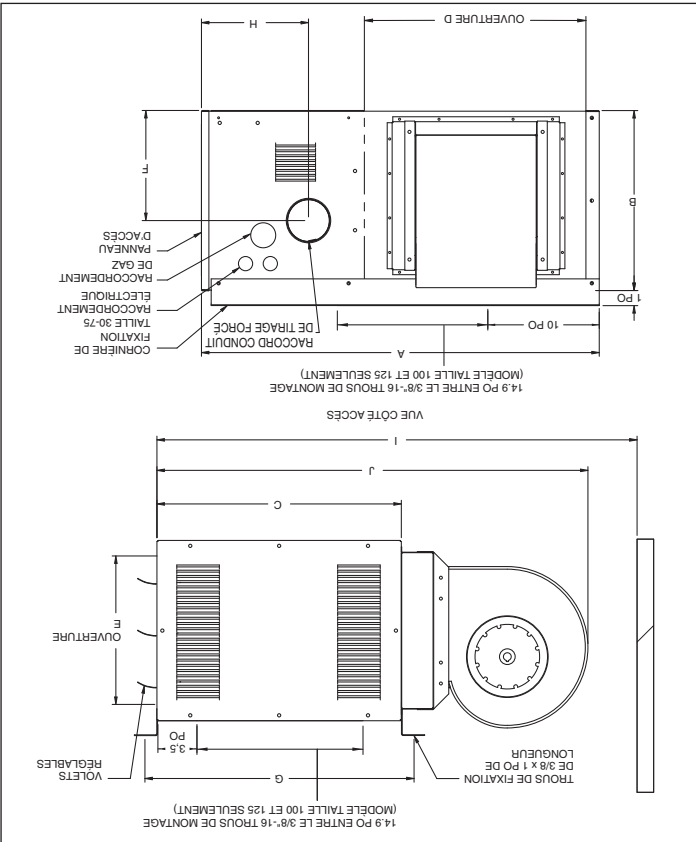


Tableau 19.1 - Dimensions (pouces) – HD

Modèles	A	B	C	D	E	F	G	H	Raccord de gaz	I	J	Diamètre du ventilateur	Poids approx. d'expédition (lb)	Diamètre du connecteur du tuyau de ventilation (po)
HD30	26,8	26,8	26,8	26,8	26,8	26,8	26,8	26,8	1/2	34,5	22	10	67	3
HD45	26,8	26,8	26,8	26,8	26,8	26,8	26,8	26,8	1/2	34,5	22	10	72	3
HD60	26,8	26,8	26,8	26,8	26,8	26,8	26,8	26,8	1/2	34,5	22	10	92	3
HD75	26,8	26,8	26,8	26,8	26,8	26,8	26,8	26,8	1/2	34,5	25	14	143	3
HD100/125	26,8	26,8	26,8	26,8	26,8	26,8	26,8	26,8	1/2	34,5	25	14	180	4

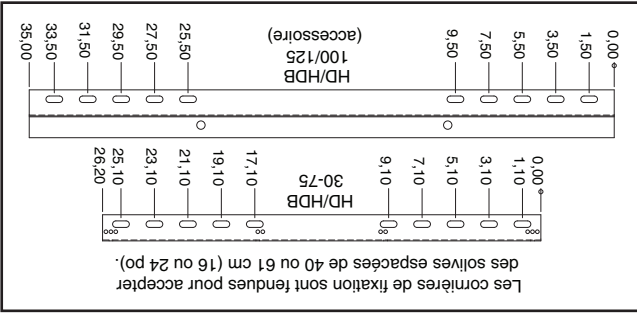
Tableau 19.2 - Dimensions (pouces) – HDB

Modèles	A	B	C	D	E	F	G	H	Raccord de gaz	I	J	Souffiante	Poids approx. d'expédition (lb)	Diamètre du connecteur du tuyau de ventilation (po)
HDB 60	26,8	26,8	26,8	26,8	26,8	26,8	26,8	26,8	1/2	34,5	25,0	9-7	92	3
HDB 75	26,8	26,8	26,8	26,8	26,8	26,8	26,8	26,8	1/2	34,5	25,0	9-7	97	3
HDB100/125	26,8	26,8	26,8	26,8	26,8	26,8	26,8	26,8	1/2	34,5	25,0	9-7	151	4

Tableau 19.3 - Distance des matériaux combustibles, modèle HD/HDB

Côté appareil	Distance minimum des matières combustibles		Dégagement recommandé pour la maintenance
	HD	HDB	
Haut et bas	1 po	6 po	18 po
Côté porte d'accès	1 po	6 po	18 po
Côté opposé à la porte	1 po	6 po	18 po
Arrière	18 po	18 po	18 po
Raccord évacuation	4 po	4 po	18 po

Figure 19.3 - Montage



SÉQUENCE FONCTIONNELLE DE SYSTÈME DE COMMANDE

SÉQUENCE FONCTIONNELLE DE SYSTÈME DE COMMANDE

Lorsque le thermostat détecte une demande de chaleur, le moteur de la soufflante d'extraction démarre. L'appareil effectue un cycle de purge avant que l'allumeur direct par étincelle soit mis sous tension. En même temps, la soupape principale du régulateur combine s'ouvre pour laisser le gaz passer vers les brûleurs. Si le moteur du ventilateur ne tourne pas encore, il démarre peu après. Si une flamme n'est pas détectée (pour une raison quelconque), la soupape principale se referme et l'appareil effectue un bref cycle de purge avant une nouvelle tentative d'allumage. Si une flamme n'est pas détectée après quatre tentatives, il s'écoulera au moins une heure avant une nouvelle tentative d'allumage.

Figure 18.1 - Principaux composants des circuits de gaz, électriques, de sécurité et autres

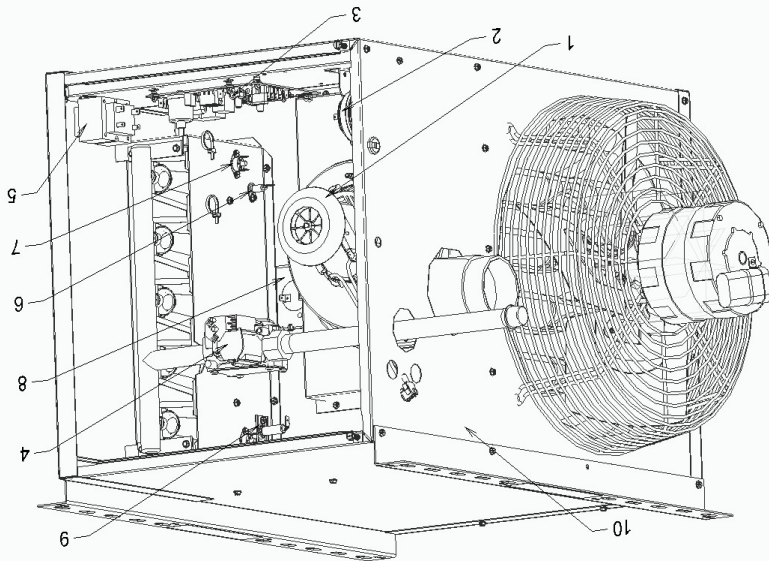


Tableau 18.1 - Options de contrôle

Description du contrôleur		Code de contrôleur	Tension service	Tension thermostat	Type de gaz	Modèle (capacité)
Allumeur direct à étincelles, un seul étage, arrêt 100 % allumage continu	- Utilise un régulateur de gaz combiné à un seul étage avec contrôleur d'allumage.	11	115 V	24 V	Naturel	30-125
		21	115 V	24 V	Propane	30-125
Allumeur direct à étincelles, deux étages, arrêt 100 % allumage continu	- Utilise un régulateur de gaz à deux étages avec contrôleur d'allumage intégré. Le taux d'allumage est de 100 % et de 50 % du plein régime nominal. Le gaz est enflammé par un allumeur direct à étincelles lorsqu'il y a demande de chaleur.	12	115 V	24 V	Naturel	75-125
		22	115 V	24 V	Propane	75-125

Tableau 18.2 - Performance du modèle HD à hélice

Modèle HD Tailles					
Puissance calorifique Btu/h	Chaleur produite Btu/h	Débit d'air - entrée (CFM) @ 70°F	Vitesse de l'air - sortie	Élévation temp. air (°F)	Hauteur de montage (pi max)
125,000	102,500	1980	747	47	16
100,000	82,000	1490	565	50	12
75,000	62,250	1160	769	48	14
60,000	49,800	990	653	45	12
45,000	37,350	720	725	46	10
30,000	24,900	505	523	44	10
15,000	12,450	270	275	42	10
11,000	8,700	190	195	40	10
10,500	8,250	180	185	38	10
1625	1250	160	165	36	10

Tableau 18.3 - Performance du modèle HDB à soufflante

Modèle HDB Tailles					
Puissance calorifique Btu/h	Chaleur produite Btu/h	Air entrant (CFM)	Vitesse de l'air - sortie	Élévation temp. air (°F)	Hauteur de montage (pi max)
125,000	102,500	1980	747	47	16
100,000	82,000	1490	565	50	12
75,000	62,250	1160	769	48	14
60,000	49,800	990	653	45	12
45,000	37,350	720	725	46	10
30,000	24,900	505	523	44	10
15,000	12,450	270	275	42	10
11,000	8,700	190	195	40	10
10,500	8,250	180	185	38	10
1625	1250	160	165	36	10

① Les valeurs nominales indiquées correspondent à une altitude de 609 m maximum. Au-delà, elles doivent être réduites de 4 % tous les 300 m au-dessus du niveau de la mer. (Au Canada, consultez la plaque signalétique.) La réduction des valeurs nominales exige l'utilisation d'un ensemble pour haute altitude.

② Données relevées à une hausse de température de l'air de 12 °C. À une température ambiante de 18 °C, avec l'appareil à entrée nominale maximum. Hauteur de montage mesurée du bas de l'appareil et sans hottes de déflexion.

IMPORTANT

1. Pour éviter une défaillance prématurée de l'échangeur de chaleur, observez les tubes de l'échangeur. Si le bas des tubes devient rouge avec la soufflante et les brûleurs en marche, vérifiez que la vitesse de la soufflante est correcte pour l'application. Voir page 16, « Adaptation du câblage des moteurs de soufflante ».
2. Les procédures de démarrage et de réglage doivent être confiées à un centre de SAV qualifié.

Bien que l'appareil ait été assemblé et testé à chaud en usine, il est recommandé d'effectuer les vérifications préopératoires suivantes pour vous assurer que tout fonctionne normalement après l'installation.

1. Mettez l'appareil sous tension au niveau du sectionneur. Vérifiez que les disjoncteurs ou les fusibles sont en place et d'un calibre approprié. Fermez tous les robinets d'arrêt de gaz.

2. Ouvrez le panneau d'accès aux commandes sur le côté de l'appareil. Vérifiez que la tension du secteur correspond à la tension nominale de l'appareil inscrite sur la plaque signalétique. Assurez-vous que tous les câblages sont bien fixés et convenablement protégés. Suivez chaque circuit pour vous assurer qu'il est conforme au schéma de câblage. Si l'appareil est installé à plus de 2000 pieds et que l'ensemble pour haute altitude inclut un interrupteur de contrôle d'air de combustion, remplacez l'interrupteur de l'appareil par celui fourni dans l'ensemble. Assurez-vous que le tube et les branchements électriques sont solidement fixés. Vérifiez que le système d'évacuation des gaz est correctement installé et n'est pas obstrué. Avant de commencer, suivez les étapes suivantes afin de vous assurer que le système d'évacuation est correctement dimensionné :

- a. Obtenez toutes les ouvertures inutilisées du système d'évacuation.
- b. Inspectez le système d'évacuation pour vérifier que les diamètres et la pente des tuyaux sont conformes aux normes ANSI Z223.1 (NFPA 54) ou au Code d'installation CSA B149.1, dernière édition, et aux présentes instructions. Déterminez s'il n'y a pas d'obstructions, de restriction, de fuite, de corrosion ou d'autres défauts pouvant créer un risque.

- c. Dans la mesure du possible, fermez toutes les portes et fenêtres du bâtiment, ainsi que les portes de communication entre les espaces dans lesquels se trouvent le ou les appareils reliés au système d'évacuation, et les autres zones du bâtiment. Mettez en marche au régime maximum les sècheuses de linge et tous les ventilateurs, comme les hottes aspirantes, les ventilateurs de salle de bains, etc. Ne faites pas fonctionner la ventilation d'éte. Fermez les registres des foyers.
- d. Suivez les instructions d'allumage. Faites fonctionner l'appareil à inspecter. Réglez le thermostat de manière que l'appareil chauffe en continu.

- e. Après avoir déterminé que chaque appareil relié au système d'évacuation fonctionne correctement dans les conditions décrites ci-dessus, remettez les portes et les fenêtres, les ventilateurs, les registres de cheminée et tout autre appareil au gaz dans leurs états antérieurs.
- f. Si les essais révèlent un mauvais fonctionnement du système d'évacuation, il faut prendre les mesures correctives nécessaires. Vérifiez qu'il n'y a pas d'obstacles devant la prise d'air et la sortie d'air chaud.
6. Vérifiez que le ventilateur est libre. L'hélice doit tourner librement à la main.
7. Vérifiez que tous les filtres sont en place et correctement installés en respectant la direction de l'air (s'il y a lieu).

8. Effectuez une inspection visuelle de l'appareil et assurez-vous qu'il n'a pas été endommagé au cours de l'installation. Assurez-vous que toutes les attaches sont en place et que les orifices du brûleur sont correctement alignés sur les tubes de l'échangeur de chaleur et que les orifices à gaz sont centrés sur l'ouverture du tube inspirateur du brûleur.
9. Assurez-vous que les lames des persiennes sont ouvertes d'au moins 30° mesurées par rapport à la verticale.
10. Mettez l'appareil sous tension au niveau du sectionneur.

11. Vérifiez le thermostat, l'allumeur, le robinet de gaz, puis mettez la soufflante sous tension. Si le fonctionnement n'est pas normal, vérifiez si le câblage est conforme au schéma.

12. Vérifiez que le moteur de la soufflante tourne dans le bon sens en comparant avec la flèche marquée sur le corps (s'il y a lieu). Vérifiez bien le sens de rotation, pas seulement le mouvement de l'air car, même à l'envers, l'hélice déplace de l'air.
13. Pour les appareils à circulation forcée, vérifiez la vitesse de la soufflante (tr/min). Voir les instructions de réglage de la soufflante pour toute modification.
14. Vérifiez le régime moteur (tr/min).
15. Vérifiez la tension du moteur.
16. Mesurez le courant d'appel du moteur et comparez-le à l'intensité nominale de la plaque signalétique.

17. Révérifiez la pression d'arrivée de gaz au niveau du robinet d'arrêt manuel installé sur site. La pression d'entrée de l'appareil doit être de 1,5 kPa (6 po d'eau) pour le gaz naturel ou de 2,75 kPa (11 po C.E.) pour le propane. La pression maximum d'arrivée pour l'un ou l'autre gaz est de 14 po C.E. Si la pression d'arrivée dépasse cette valeur, il faudra ajouter un détendeur en amont du robinet de gaz mixte.
18. Ouvrez le robinet d'arrêt de gaz manuel installé sur site.
19. Tournez le robinet manuel du régulateur combiné à la position « ON ».
20. Réglez le thermostat pour créer un appel thermique.
21. Assurez-vous que la vanne générale de gaz s'ouvre. Vérifiez la pression au collecteur de gaz (voir « Réglage du brûleur principal ») avec la soufflante en marche.
22. Assurez-vous que les commandes de gaz s'activent dans l'ordre (voir « Séquence de fonctionnement des commandes »). Si vous n'êtes pas familier avec ces commandes (régulateur de gaz combiné), lisez la documentation du fabricant du système de régulation, qui est livrée avec l'appareil.
22. Quand vous êtes assuré que l'appareil fonctionne normalement, retirez tous les fils volants utilisés pour les essais.
24. Remettez en place le panneau d'accès aux commandes sur le côté de l'appareil.
25. Si l'appareil est installé à plus de 2000 pieds, collez l'étiquette incluse dans l'ensemble pour haute altitude et remplissez tous les champs au feutre indélébile.

Réglage du brûleur principal

Le régulateur de pression du gaz (à l'intérieur du régulateur combiné) a été réglé en usine pour des caractéristiques moyennes de gaz. Il est essentiel que l'alimentation du brûleur soit conforme aux conditions indiquées sur la plaque signalétique. Ces conditions doivent être vérifiées et les réglages nécessaires, effectués après l'installation de l'appareil. Une puissance calorifique excessive se traduira par une surchauffe permanente réduisant la durée de vie de l'appareil et entraînant des besoins d'entretien accrus. Les valeurs indiquées sur la plaque signalétique doivent impérativement être respectées.

La pression du collecteur de gaz doit être mesurée au raccord installé à côté du robinet d'arrêt.

Pour régler la pression du collecteur de gaz

1. Fermez le robinet d'arrêt de gaz posé lors de l'installation.
2. Desserrez la vis de tête hexagonale de 3/32" dans le robinet de pression de sortie sur la vanne de gaz et, à l'aide d'un tuyau ID de 5/16", fixez un manomètre de l'eau de type « U » qui est d'au moins 12" de haut.
3. Tournez le robinet d'arrêt de gaz manuel installé sur site sur position Marche.
4. Créez un appel thermique pour feu élevé à partir du thermostat.
5. Consultez le tableau 12.1 pour déterminer la pression nominale au collecteur principal pour le type d'appareil. Les pressions entre 0 et 2000 pieds d'altitude sont de 3,5 po C.E. pour le gaz naturel, 10 po C.E. pour le propane; à plus de 2000 pi, reportez-vous aux instructions à la page 13. Réglez le ressort du régulateur principal pour qu'il délivre le gaz à la pression correcte (pour savoir comme régler, consultez le manuel du régulateur fourni avec l'appareil).
6. Après réglage, déplacez la vanne d'arrêt manuelle installée sur le terrain à la position « OFF » et serrez à nouveau la vis hexagonale 3/32" « ». Une fois la vis serrée, déplacez la vanne d'arrêt manuelle installée sur le terrain à la position « ON » et revérifiez les bouchons de tuyaux pour les fuites de gaz avec une solution de savon.

RACCORDEMENTS ÉLECTRIQUES

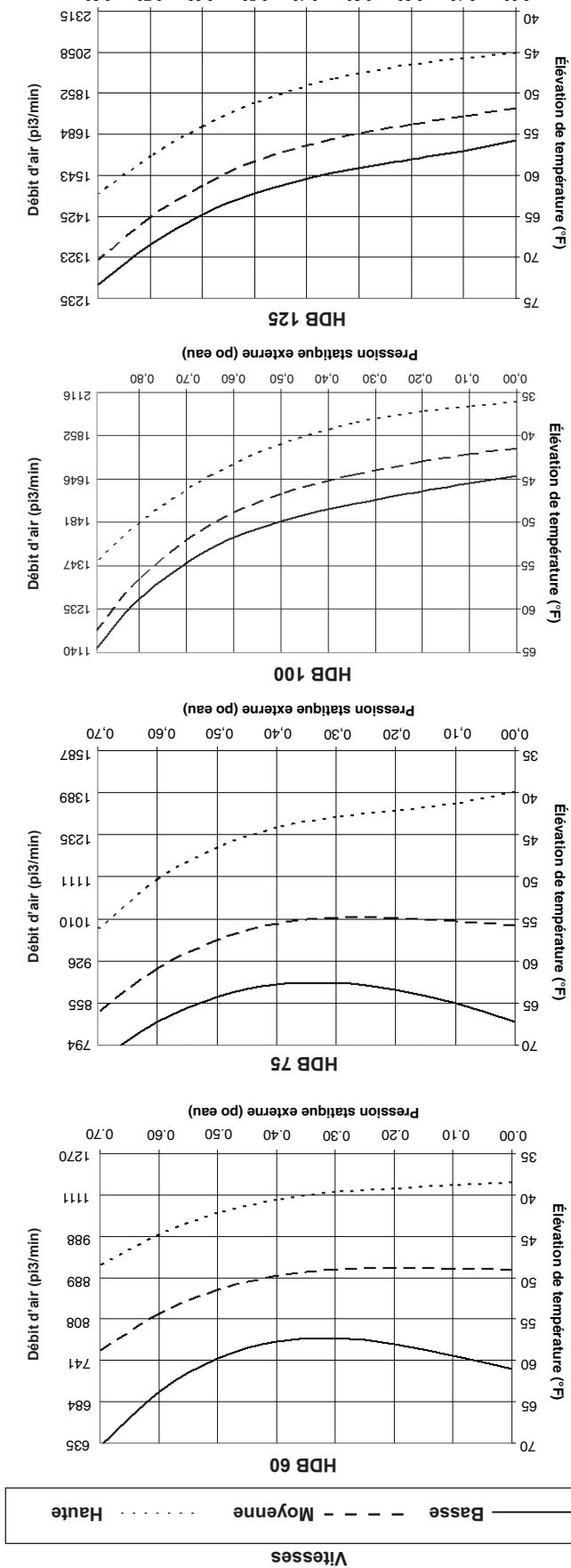
Le thermostat de commande sera installé en fonction des besoins de chauffage, sur une cloison intérieure à environ 1,5 m (5 pi) au-dessus du plancher et de façon à ne pas être exposé à la chaleur de l'appareil de chauffage ou d'une autre source, ni aux courants d'air des portes fréquemment ouvertes. Consultez les instructions fournies avec le thermostat.

Adaptation du câblage des moteurs de soufflantes

Les soufflantes incorporées dans les appareils Modine HDB sont à entraînement direct et munies de moteurs à trois vitesses. L'élevation de la température de l'air de l'appareil est déterminée par la vitesse de la soufflante et la pression statique dans le système. Les appareils sont normalement expédiés avec le moteur de la soufflante réglé pour la plus grande vitesse. Pour sélectionner la vitesse de la soufflante, le fil du moteur doit être connecté à la borne voulue « EAS » ou « BLO » sur le panneau de commande. Les fils inutilisés du moteur pour les autres vitesses sont attachés aux bornes « PARK » du tableau. Voir le schéma de câblage à la page 21.

Si l'appareil à soufflante est raccordé à un système de gaines ou à une autre charge, consultez les courbes de performance sur cette page pour déterminer l'élevation de température en fonction de la vitesse du moteur et de la pression statique. Vérifiez que la pression statique de la sortie de l'appareil ne dépasse pas la pression maximale spécifiée pour l'appareil. Si la pression statique est trop élevée, elle doit être abaissée soit en modifiant le système, soit en utilisant une vitesse plus faible du moteur. Si l'appareil s'arrête en fonctionnement normal à cause d'un dépassement du seuil de température maximale, choisissez une vitesse plus élevée du moteur.

Modèles de courbes de soufflantes (HDB 60-125 seulement)



⚠️ AVERTISSEMENT

1. Débranchez l'alimentation avant d'effectuer des branchements pour éviter tout risque d'électrocution et d'endommagement de l'appareil.
2. Tous les branchements et câblages doivent être faits en stricte conformité avec le schéma fourni avec l'appareil. Tout câblage différent de celui du schéma peut créer des risques de dommages matériels ou de blessures.
3. Tout câblage usine d'origine exigeant un remplacement doit être remplacé par un câble d'indice thermique nominal de 105 °C.
4. Assurez-vous que la tension d'alimentation n'est pas supérieure de plus de 5 % à la tension nominale inscrite sur la plaque de l'appareil.

⚠️ ATTENTION

Vérifiez que la tension d'alimentation n'est pas inférieure de plus de 5 % à la tension nominale inscrite sur la plaque de l'appareil.

1. L'installation du câblage doit être conforme aux codes locaux du bâtiment ou, en l'absence de codes locaux, au Code électrique national ANS/NFPA 70, dernière édition. Conformément à ce code, l'appareil doit être mis à la terre. Au Canada, le câblage doit être conforme à CSA C22.1, Partie 1, Code électrique.
 2. Deux exemplaires du diagramme de câblage de l'appareil sont fournis avec chaque appareil. L'un se situe dans le compartiment de commande accessible par le côté et l'autre est fourni dans le paquet de documentation. Reportez-vous à ce diagramme pour tous les branchements de câbles.
 3. Assurez-vous que tous les composants multi-tension (noteurs, transformateurs, etc.) sont câblés conformément à la tension secteur.
 4. L'alimentation de l'appareil doit être protégée par un interrupteur à fusible ou coupe-circuit.
 5. L'alimentation doit se trouver à $\pm 5\%$ de la tension nominale et les phases doivent être équilibrées à $\pm 2\%$ les unes des autres. Sinon, prévenez le fournisseur d'électricité.
 6. Les branchements électriques externes à installer incluent :
 - a. Branchement de l'alimentation secteur (115, 208, 230, 460 ou 575 volts).
 - b. Branchement des thermostats ou de tout autre appareil de commande d'accessoire pouvant être fourni (24 volts).
- REMARQUE :** Tous les appareils affichant une tension nominale de 208 V et plus doivent utiliser un transformateur abaisseur installé sur site, offert comme accessoire séparé. Pour des informations supplémentaires sur le transformateur requis, reportez-vous aux tableaux 15.1.
7. Pour l'emplacement du compartiment de commande accessible par le côté, reportez-vous à la figures 18.1 et 18.2.
 8. Tous les branchements électriques secteur sont établis dans le compartiment de commande accessible par le côté. La basse tension (dispositifs de commande des thermostats et des accessoires) peut être câblée aux bornes des bornes de tous les câbles à basse tension, reportez-vous au diagramme de câblage.

INSTALLATION – ENSEMBLE D'ACCESSOIRES POUR HAUTE ALTITUDE

Table 14.1 - Ensembles haute altitude pour HD/HDB ①

Etats-Unis et Canada		Taille de modèle			
Altitude (pi)	Code d'articale	Code d'articale	Code d'articale	Code d'articale	Non requis
	30	45	60	75	
0 à 2000	Non requis	Non requis	Non requis	Non requis	Non requis
2001 à 4500	67248	67248	67248	67248	67248
4501 à 5000	67248	67248	67248	67248	67248
5001 à 5500	67248	67248	67248	67248	67248
5501 à 6000	67248	67248	67248	67248	67248
6001 à 6500	67248	67248	67248	67248	67248
6501 à 7000	67248	67248	67248	67248	67248
7501 à 8000	67248	67248	67248	67248	67248
8001 à 8500	67248	67248	67248	67248	67248
8501 à 9000	67248	67248	67248	67248	67248
9001 à 9500	67248	67248	67248	67248	67248
9501 à 10,000	55945	55945	55945	55945	68408
10001 à 11000	55945	55945	55945	55945	68409
11001 à 12000	55945	55945	55945	55945	68409
12001 à 13000	S/O	55945	S/O	S/O	68411
13001 à 14000	S/O	55945	S/O	S/O	68411

① Pour les ensembles Etiquette seulement, le numéro de référence Modine 5H0807146005 doit être inscrit et attaché à l'appareil par l'installateur.

Si la valeur de chauffage du gaz fourni est différente des valeurs des tableaux 13.1 et 13.2, utilisez l'équation suivante pour déterminer la pression appropriée au collecteur pour l'altitude et la valeur de chauffage du gaz fourni.

Equation 14.1 - Pression au collecteur pour valeur nominale de gaz réduite

$$MP_{ACT} = \left(\frac{BTU_{TBL}}{BTU_{ACT}} \right)^2 \times MP_{SL}$$

où :

MP_{ACT} = Pression au collecteur (po C.E.) en altitude –
Réglage de pression de gaz pour l'appareil de chauffage installé

BTU_{TBL} = Teneur du gaz en BTU/pi³ –
Tiré du tableau 11.1 ou 11.2 (selon le cas)

BTU_{ACT} = Teneur du gaz en BTU/pi³ –
Obtenu auprès du fournisseur de gaz local

MP_{SL} = Pression au collecteur (po C.E.), au niveau de la mer –
Utilisez 3,5 po C.E. pour le gaz naturel et 10 po C.E. pour le propane

REMARQUE : Seule la pression au collecteur primaire doit être réglée sur les appareils équipés de commandes de gaz à deux étages ou modulation. Aucun réglage de pression au collecteur à feu bas n'est nécessaire sur ces appareils.

INSTALLATION – ENSEMBLE D'ACCESSOIRES POUR HAUTE ALTITUDE

ENSEMBLE D'ACCESSOIRES POUR HAUTE ALTITUDE

Les valeurs nominales d'entrée standard des appareils au gaz de Modine sont certifiées par ETL. À plus de 2000 pieds, la norme ANSI Z223.1 exige la réduction des valeurs nominales de 4 % tous les 1000 pieds au-dessus du niveau de la mer. Au Canada, l'ACNOR exige la réduction des valeurs nominales de 10 % à plus de 2000 pieds d'altitude. Les instructions de réglage en haute altitude et les ensembles de pressostat listés dans ce manuel concernent les appareils qui seront installés à plus de 2000 pieds. Ces méthodes et ensembles sont conformes aux exigences ANSI Z223.1 et ACNOR.

Si un appareil doit être installé à plus haute altitude ET converti d'un service gaz naturel à gaz propane, un ensemble de conversion au propane doit être utilisé avec les méthodes de réglage de pression et les ensembles de pressostat listés dans ce manuel. Pour les instructions de sélection et d'installation pour les ensembles de conversion au propane, consultez la toute dernière version du manuel Modine 75-515.

Sélection de la pression et de l'ensemble corrects

Pour déterminer la pression de collecteur correcte en altitude et si nécessaire, l'ensemble de pressostat d'air de combustion correct, le numéro de modèle complet de l'appareil de chauffage, le combustible à utiliser et l'altitude à laquelle l'appareil sera installé doivent être connus. Pour obtenir les renseignements nécessaires sur l'appareil, consultez la plaque du numéro de série.

Une fois en possession de ces informations, consultez les tableaux de pressions de gaz et de sélection aux tableaux 13.1 à 14.1. Les tableaux de pression sont divisés par altitude, type de combustible et pays d'installation du produit. Les tableaux de sélection sont divisés par type de produit, altitude et type de combustible. Dans le cas d'une conversion du gaz naturel au propane et d'une utilisation à haute altitude, un ensemble de conversion au propane et un ensemble de pressostat devra être utilisé (le cas échéant). Les tableaux de sélection incluent le suffixe d'ensemble adéquat, si nécessaire.

Tableau 13.1 - Valeurs de chauffage du gaz naturel selon l'altitude

Altitude (pi)	É.-U.	Canada
0 à 2000	1050	1050
2001 à 3000	929	
3001 à 4000	892	945
4001 à 4500	874	
4501 à 5000	856	856
5001 à 6000	822	822
6001 à 7000	789	789
7001 à 8000	757	757
8001 à 9000	727	727
9001 à 10000	698	698
10001 à 11000	670	670
11001 à 12000	643	643
12001 à 13000	618	618
13001 à 14000	593	593

Gaz à valeur de chauffage diminuée et calcul de pression au collecteur

Certains fournisseurs de gaz pourront réduire la teneur en BTU (valeur de chauffage) du gaz fournie en altitude à une autre valeur que 1050 BTU/pi³ pour le gaz naturel ou 2500 BTU/pi³ pour le propane pour permettre l'utilisation de certains appareils de chauffage sans régler la pression au collecteur. C'est pourquoi il est nécessaire de contacter le fournisseur de gaz pour en savoir plus sur le type de gaz et la teneur en BTU (valeur de chauffage) avant d'utiliser un appareil de chauffage. Les tableaux 13.1 et 13.2 indiquent les valeurs de chauffage diminuées standard (4 % pour 1000 pieds d'altitude aux États-Unis et 10 % entre 2001 et 4500 pieds d'altitude au Canada) des gaz naturel et propane à différentes altitudes. Si le fournisseur livre du gaz avec des valeurs de chauffage comme indiqué aux tableaux 13.1 et 13.2, la pression au collecteur doit être réglée à 3,5 po C.E. pour le gaz naturel et à 10 po C.E. pour le propane.

REMARQUE : Seule la pression de gaz à feu fort doit être ajustée, la pression de gaz à feu bas doit rester la même.

Tableau 13.2 - Valeurs de chauffage du gaz propane selon l'altitude

Altitude (pi)	É.-U.	Canada
0 à 2000	2500	2500
2001 à 3000	2212	
3001 à 4000	2123	2250
4001 à 4500	2080	
4501 à 5000	2038	2038
5001 à 6000	1957	1957
6001 à 7000	1879	1879
7001 à 8000	1803	1803
8001 à 9000	1731	1731
9001 à 10000	1662	1662
10001 à 11000	1596	1596
11001 à 12000	1532	1532
12001 à 13000	1471	1471
13001 à 14000	1412	1412

① Les valeurs indiquées correspondent à une pression au collecteur de 10 po C.E.; pour les autres valeurs de teneur en BTU (disponibles auprès de votre fournisseur local), utilisez l'équation 14.1 pour calculer la pression au collecteur.
 ② Les valeurs indiquées correspondent à une pression au collecteur de 10 po C.E.; pour les autres valeurs de teneur en BTU (disponibles auprès de votre fournisseur local), utilisez l'équation 14.1 pour calculer la pression au collecteur.
 ③ Si l'appareil est installé à plus de 2000 pieds, vous devrez peut-être remplacer un pressostat. Reportez-vous au tableau 14.1 pour voir si un changement de pressostat est nécessaire.
 ④ Les valeurs nominales de chauffage du gaz sont réduites de 4 % tous les 1000 pieds d'altitude aux États-Unis et de 10 % entre 2000 et 4500 pieds d'altitude au Canada, conformément aux normes ANSI Z223.1 et CSA B149, respectivement.

INSTALLATION – RACCORDEMENTS DE GAZ

AVERTISSEMENT

- Toutes les tuyauteries de gaz extérieures doivent être soumises à des essais de pression et d'étanchéité avant la mise en marche. Ne recherchez jamais les fuites avec une flamme nue. Utilisez plutôt de l'eau savonneuse ou un produit équivalent.
- La pression de gaz au régulateur de l'appareil ne doit jamais dépasser 14 po C.E. (1/2 psi).
- Pour réduire les risques de condensation, le pouvoir calorifique minimum du gaz (au niveau de la mer) ne doit pas être inférieur de plus de 5 % à la valeur nominale figurant sur la plaque signalétique de l'appareil ou de 5 % à la valeur la plus basse des appareils à double alimentation.

ATTENTION

- La purge de l'air des tuyauteries de gaz doit se faire selon la procédure ANSI Z223.1 (NFPA 54) – dernière édition ou aux codes CSA B149 pour le Canada.
- Pour l'essai d'étanchéité des tuyauteries d'alimentation en gaz, l'appareil et son régulateur de gaz combiné doivent être isolés pour tout essai fait à une pression dépassant 14 po C.E. (1/2 psi).
- L'appareil doit pouvoir être isolé de la conduite d'alimentation en gaz par la fermeture d'un robinet d'arrêt manuel posé à l'installation. Ce robinet d'arrêt doit être à une distance d'au moins 1,8 m (6 pi) de l'appareil de chauffage.
- Fermez l'arrivée générale de gaz avant d'installer l'appareil.

IMPORTANT

Pour éviter une défaillance prématurée de l'échangeur de chaleur, l'apport calorifique du gaz utilisé ne doit pas excéder de plus de 5 % la valeur nominale inscrite sur la plaque signalétique de l'appareil.

- L'installation doit se faire conformément aux codes locaux de la construction ou, à défaut de tels codes, conformément au National Fuel Gas Code, ANSI Z223.1 (NFPA 54) – dernière édition. Au Canada, l'installation doit se faire selon le code CSA B149.1.
- Les tuyauteries doivent être conformes aux exigences locales et nationales pour le type et le volume de gaz, ainsi que les pertes de charge admissibles dans les lignes. Consultez le tableau 12.1 pour déterminer les débits (CFH) pour le type de gaz et la capacité de l'appareil à installer. À partir de la valeur du débit et de la longueur de tuyau nécessaire, déterminez le diamètre de tuyau en consultant le tableau 12.2. Si plusieurs appareils de chauffage sont desservis par la même conduite principale, il faut tenir compte de la capacité totale, du débit total et de la longueur totale. N'utilisez pas de tuyau plus petit que 1/3 mm ou 1/2 po. Le tableau 12.2 est établi pour une perte de charge de 0,3 po C.E. entre la conduite principale du bâtiment et l'appareil respectes à l'entrée de l'appareil malgré la perte de charge de 0,7 mm (0,3 po) admise dans la tuyauterie. Si une perte de charge de 0,3 po C.E. est excessive, consultez le manuel Gas Engineer's Handbook pour déterminer la section des tuyaux de gaz.

- Installez un raccord union à joint rode avec un siège en laiton et un robinet d'arrêt manuel adjacent à l'appareil pour les arrêts manuels d'urgence et l'entretien des commandes, comportant un raccord 1/8 po NPT avec bouchon obturateur, pour pouvoir brancher un manomètre (voir la figure 12.1).
- Utilisez deux pour raccorder la tuyauterie du site aux appareils. Ajoutez un collecteur de sédiments en amont de chaque appareil et dans la tuyauterie s'il n'est pas possible d'éviter les points bas (voir la figure 12.1).
- Si des essais de pression et d'étanchéité doivent être faits à plus de 14 po C.E. (0,5 psi), fermez le robinet d'arrêt, débranchez l'appareil et son régulateur de gaz combiné de la tuyauterie d'alimentation et bouchez la tuyauterie. Lorsque vous testez des pressions de 14 po C.E. (1/2 psi) ou inférieures, fermez le robinet d'arrêt manuel sur l'appareil avant d'effectuer le test.

Figure 12.1 - Installation recommandée : piège à sédiments et robinet d'arrêt manuel – Pour un raccordement latéral ou par le bas

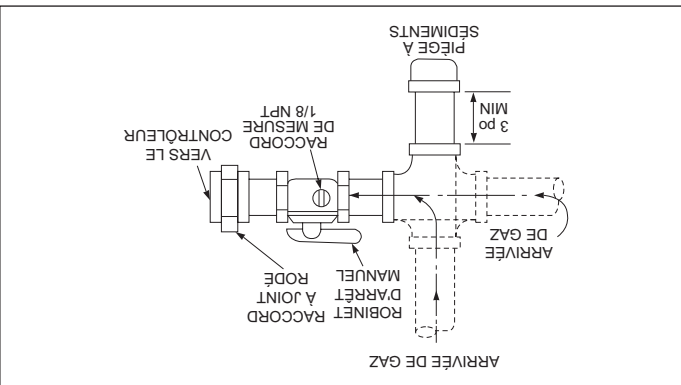


Tableau 12.1 - Pression au collecteur et consommation de gaz au niveau de la mer

Nbre d'offices	Taille		Pression au collecteur en C.E.
	BTU pi cubes	Densité relative	
2	1050	0,60	3,5
	2500	1,53	
4	Naturel		10
	Propane		

Modèle	p ² /h	Sec/pi cube	Diam. foret pour office	Pression au collecteur en C.E.	
				BTU pi cubes	Densité relative
30	28,6	126	49	1,26	3,00
45	84	200	49	57,1	24
60	63	150	49	63	150
75	95,2	38	45	95,2	40
100	38	90	45	38	90
125	119	50	42	119	50

Tableau 12.2 - Capacités de gaz – Gaz naturel

Longueur de tuyau (pi)	Gaz naturel					
	1/2 po	3/4 po	1 po	1-1/4 po	1-1/2 po	2 po
10	132	278	520	1050	1600	3050
20	92	190	350	730	1100	2100
30	73	152	285	590	890	1650
40	63	130	245	500	760	1450
50	56	115	215	440	670	1270
60	50	105	195	400	610	1150
70	46	96	180	370	560	1050
80	43	90	170	350	530	930
100	38	79	150	305	460	870
125	34	72	130	275	410	780
150	31	64	120	250	380	710

Capacités en pieds-cubes par heure dans des tuyaux de nomenclature 40 avec une chute de pression maximum de 0,3 po C.E. avec une pression gazeuse de 14 po C.E. La densité est de 0,60 pour le gaz naturel et de 1,50 pour le propane.

② Pour obtenir la capacité de tuyau contenant du propane, divisez la capacité pour le gaz naturel par 1,6. Exemple : quelle est la capacité d'un tuyau à propane de 60 pi x 1-1/4 po? Sa capacité pour le gaz naturel est de 400 p²/h. Divisez cette valeur par 1,6 pour obtenir 250 p²/h pour le propane.

INSTALLATION – EVACUATION

1. Le système d'évacuation commune et tous les appareils connectés doivent être de catégorie I.

2. Le conduit de raccordement doit emprunter le chemin le plus direct qui relie les appareils à l'évacuation commune.

3. Lorsque deux conduits de raccordement aboutissent à un système d'évacuation commune, le conduit le plus petit doit entrer le plus haut que le permet la hauteur du plafond ou le dégagement obligatoire par rapport aux matériaux combustibles.

4. Les restrictions à l'entrée de l'évacuation commune telles que les coudes doivent être minimisées. Chaque coude installé dans la partie commune du système d'évacuation réduit la capacité maximale d'évacuation commune de 10% (consultez les tableaux 11.2 et 11.3 pour la capacité).

5. Les capacités du conduit de raccordement incluses dans ces tableaux permettent l'utilisation de deux coudes de 90 degrés (ou angles). Pour tout coude additionnel, la capacité du conduit d'évacuation sera réduite de 10%. Consultez les tableaux NFPA54/IFEC pour connaître les capacités.

6. La superficie de la section transversale de l'évacuation commune doit être égale ou supérieure à la plus grande superficie de la section transversale du conduit d'évacuation.

7. Si tous les appareils sont au même niveau dans le bâtiment, la hauteur d'évacuation doit être mesurée à partir du coupe-tirage ou du conduit d'évacuation le plus élevé qui doit être installé dans le système d'évacuation commune (consultez les figures 11.1 et 11.2).

8. Les systèmes d'évacuation de tous les appareils doivent être conformes aux tableaux 11.1 à 11.3 pour l'évacuation commune.

9. Toutes les cheminées en maçonnerie doivent se conformer à l'ensemble des codes locaux et nationaux.

10. Si plusieurs conduits de raccordement sont raccordés à un même collecteur avant d'aboutir à la partie verticale de l'évacuation commune, les sections du collecteur commun et du conduit d'évacuation commune seront déterminées en appliquant une réduction de 10% (0,90 fois la capacité maximale du tableau 11.2 ou 11.3) à la partie de capacité d'évacuation commune des tableaux d'évacuation commune (consultez la figure 11.3). Le collecteur d'évacuation commun (Lm) ne doit pas dépasser une longueur de 46 cm (18 po) par pouce de diamètre.

11. Consultez le National Fuel Gas Code pour connaître les instructions relatives à une évacuation commune à niveaux multiples et les cheminées en maçonnerie extérieures ainsi que d'autres installations dans les applications citées.

Exigences additionnelles relativement à l'évacuation commune :

Figure 11.1 - Evacuation commune vers un conduit de type B à double paroi

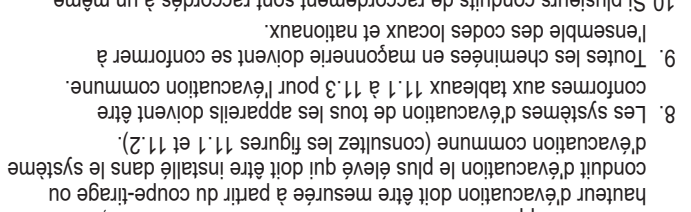


Figure 11.1 - Evacuation commune vers un conduit de type B à double paroi

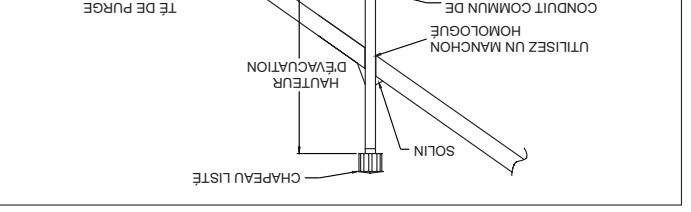


Figure 11.2 - Evacuation commune vers cheminée en maçonnerie

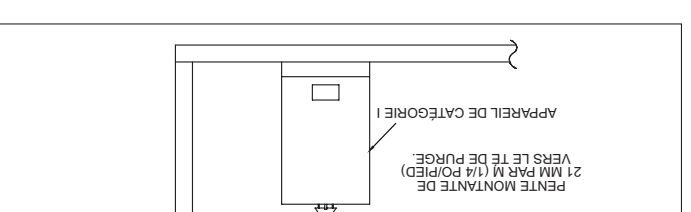


Tableau 11.1 - Longueur horizontale maximale de conduit de raccordement (pi) – type B

Diam. connecteur	Modèle	Long. horiz. max.
3 po	30,45,60,75	4,5'
4 po	100, 125	6

Tableau 11.2 - Capacités totales maximales de production (Mbh) - Conduit de raccordement de type B et évacuation commune de type B

Hauteur d'évacuation (pi)	Diamètre de l'évacuation commune				
	4 po	5 po	6 po	7 po	8 po
Forcé+	Forcé+	Forcé+	Forcé+	Forcé+	Forcé+
Nat	Nat	Nat	Nat	Nat	Nat
Forcé	Forcé	Forcé	Forcé	Forcé	Forcé
Forcé+	Forcé+	Forcé+	Forcé+	Forcé+	Forcé+
6	92	81	140	116	204
8	101	90	155	129	224
10	110	97	169	141	243
15	125	112	195	164	283
20	136	123	215	183	314
30	152	138	244	210	361
Zone de l'évacuation commune		38 po ²	28 po ²	19 po ²	12 po ²

Tableau 11.3 - Pouvoir calorifique total max. (Mbh) – conduit de raccordement de type B avec évacuation commune par cheminée en maçonnerie

Hauteur d'évacuation (pi)	Zone de l'évacuation commune				
	Forcé+ <th>Forcé+ <th>Forcé+ <th>Forcé+ <th>Forcé+ </th></th></th></th>	Forcé+ <th>Forcé+ <th>Forcé+ <th>Forcé+ </th></th></th>	Forcé+ <th>Forcé+ <th>Forcé+ </th></th>	Forcé+ <th>Forcé+ </th>	Forcé+
Forcé	Forcé	Forcé	Forcé	Forcé	Forcé
Nat	Nat	Nat	Nat	Nat	Nat
Forcé	Forcé	Forcé	Forcé	Forcé	Forcé
Forcé+	Forcé+	Forcé+	Forcé+	Forcé+	Forcé+
6	74	74	119	119	178
8	80	80	130	130	193
10	84	84	138	138	207
15	92	92	152	152	233
20	101	101	169	169	250
30	110	110	183	183	270
Zone de l'évacuation commune		38 po ²	28 po ²	19 po ²	12 po ²

Figure 11.1 - Evacuation commune vers un conduit de type B à double paroi

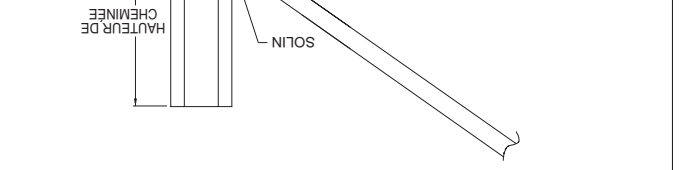
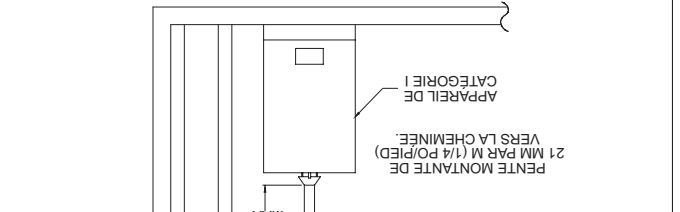


Figure 11.2 - Evacuation commune vers cheminée en maçonnerie



INSTALLATION – ÉVACUATION

Section C – Installation des systèmes d'évacuation horizontale de catégorie III.

- C1. Cette section s'applique aux systèmes d'évacuation horizontale de catégorie III et complète les prescriptions de la section A – Instructions générales – Tous modèles. Les systèmes de ventilation de catégorie III énumérés par une agence reconnue à l'échelle nationale et correspondant aux diamètres spécifiés peuvent être utilisés. Différentes marques de tuyau matériaux de ventilation peuvent ne pas être mélangées. Il est interdit d'accoupler deux longueurs de tuyau à double paroi dans une même installation d'évacuation horizontale à cause de l'impossibilité de vérifier l'étanchéité des raccords du tuyau intérieur.
- C2. Tous les appareils de chauffage qui sont évacués horizontalement font partie des appareils de catégorie III. La catégorie III impose les exigences particulières suivantes :
- Tous les appareils de chauffage résidentiels de catégorie III à évacuation horizontale doivent être munis d'un système d'évacuation homogène (UL-1738) de catégorie III par une agence officielle. Vous trouverez des systèmes d'évacuation officiellement homologués en catégorie III chez votre distributeur local de tuyaux d'évacuation. Suivez les instructions du fabricant du système d'évacuation certifié catégorie III pour l'installation.
 - Pour les appareils de chauffage commerciaux et industriels à évacuation horizontale, vous pouvez utiliser soit des conduits homologués en catégorie III, soit des conduits à simple paroi en acier inoxydable ou en acier galvanisé. Pour les systèmes d'évacuation à simple paroi, une section continue de tuyau d'évacuation à double paroi peut être utilisée dans le système d'évacuation pour la traversée du mur jusqu'au chapeau listé. Voir le point A10 de la section A – Instructions générales – Tous modèles pour les transitions entre double paroi et simple paroi. Sceller toutes les coutures et les joints des tuyaux à paroi simple non étanches avec du ruban métallique ou Silastic pour des températures allant jusqu'à 205 °C (400 °F). (Les bandes de feuille d'aluminium 3M 433 ou 363 sont acceptables). Le ruban doit être enroulé deux fois autour du tuyau.

- C3. Tous les systèmes d'évacuation horizontale de catégorie III doivent être terminés avec un chapeau de cheminée listé. Les distances minimales du chapeau au mur extérieur sont indiquées au tableau 10.1.
- C4. Tous les systèmes d'évacuation horizontale de catégorie III doivent être terminés avec un chapeau de cheminée listé. Les distances minimales du chapeau au mur extérieur sont indiquées au tableau 10.1.

Taille de modèle	Application	Longueur min. ①
30-75	Résidentielle et commerciale	11 po
100, 125	Résidentielle	12 po
100, 125	Commerciale	24 po

① Reportez-vous aux figures 10.2 et 10.3.

Tableau 10.1 - Longueur minimale entre le mur externe et l'évacuation

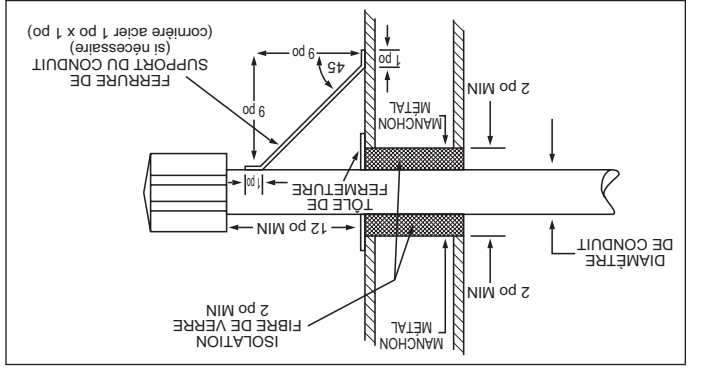


Figure 10.1 - Construction d'une traversée à travers une paroi combustible et support de cheminée

C4. Le tuyau doit être supporté comme illustré à la figure 10.1.

- C5. Si la condensation risque d'être un problème, le système d'évacuation ne doit pas déboucher au-dessus d'une voie publique ou d'une zone où le condensat ou la vapeur pourrait créer une nuisance ou un danger, ou pourrait affecter le fonctionnement de régulateurs ou d'évents, ou autres équipements.
- C6. Le système d'évacuation ne doit pas desservir plus d'un appareil de chauffage et ne doit pas servir à d'autres fins.
- C7. Pour une évacuation horizontale, il faut maintenir une pente montante de 21 mm par mètre (1/4 po par pied) vers l'aval et placer un té d'écoulement avec bouchon de nettoyage, comme illustré à la figure 10.2. Sous réserve de l'accord des autorités locales, une pente de 21 mm par mètre (1/4 po par pied) vers l'aval est acceptable avec un té d'écoulement avec bouchon de nettoyage près de la sortie, comme illustré à la figure 10.3, ou encore un écoulement direct du condensat au bout du tuyau.

Figure 10.2 - Evacuation horizontale de catégorie III avec pente montante

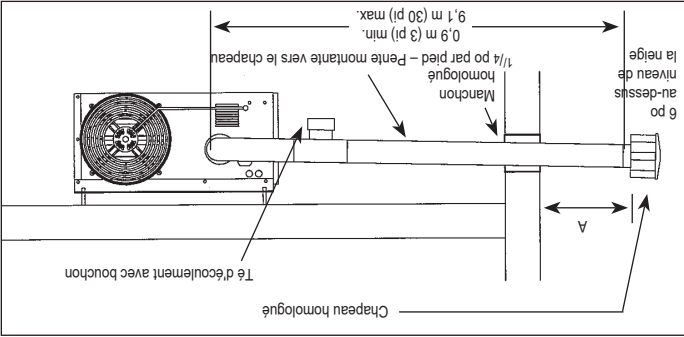
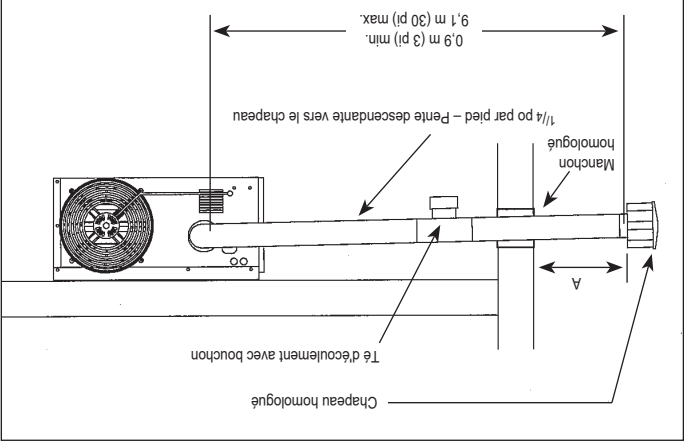


Figure 10.3 - Evacuation horizontale de catégorie III avec pente descendante (avec point de purge)

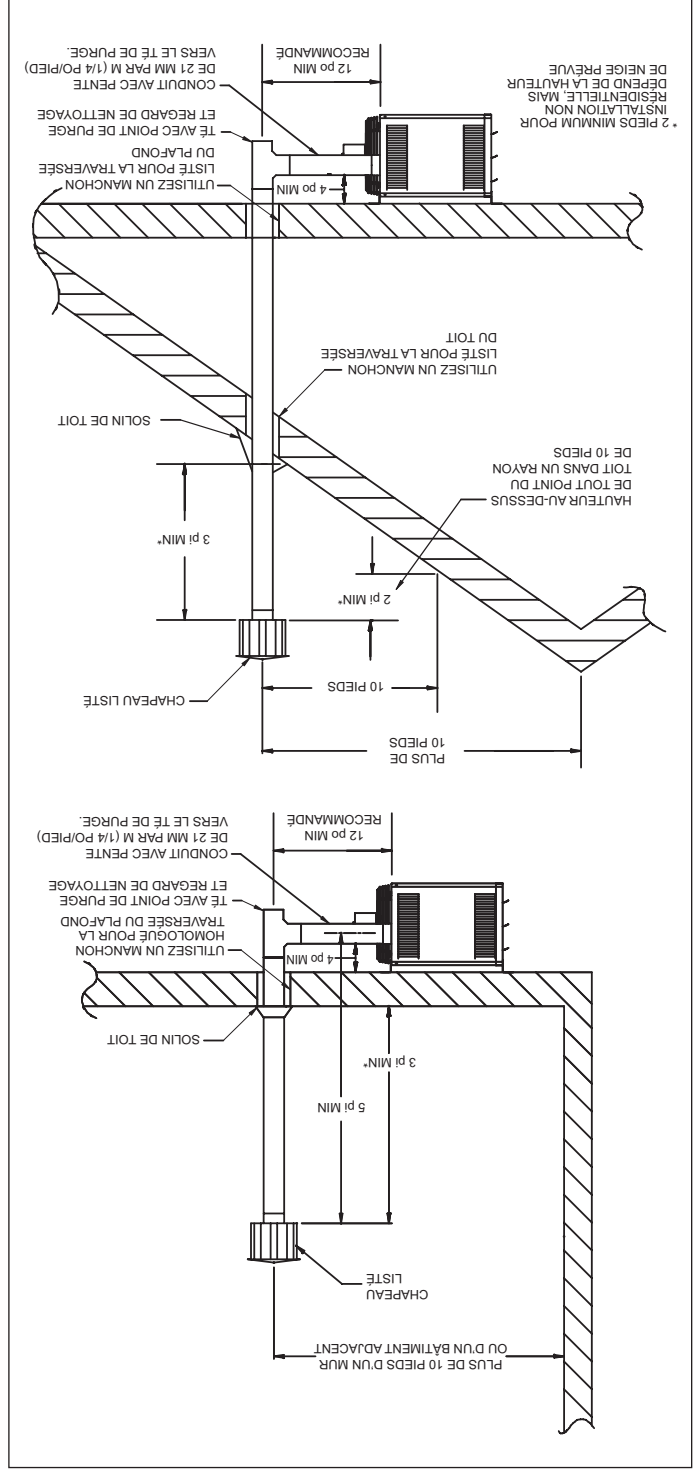


- C8. Lorsqu'un chapeau de cheminée est situé sous un avant-toit, la distance du porte-à-faux ne doit pas dépasser 61 cm (24 po). Les dégagements par rapport aux surfaces combustibles d'un conduit d'évacuation extérieur doivent être de 30 cm (12 po) au minimum. Consultez le National Fuel Gas Code pour les exigences additionnelles relatives aux avant-toits ayant des ouvertures de ventilation.
- C9. Une fois l'installation du système d'évacuation terminée, passez à la section intitulée « Installation – Raccordements de gaz ».

INSTALLATION – EVACUATION

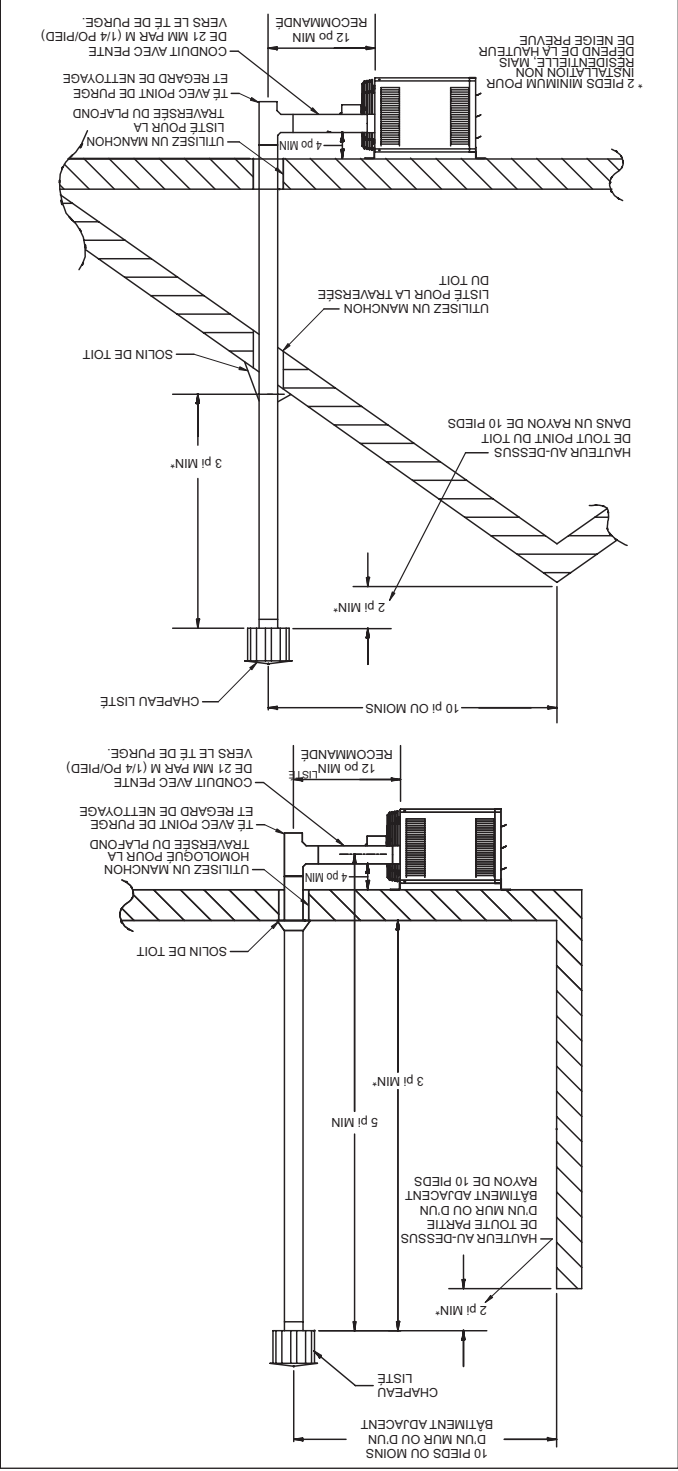
• Pour les conduits à simple paroi débouchant à une distance horizontale de 3 m (10 pi) ou plus d'une partie quelconque d'un bâtiment, le conduit doit se prolonger sur au moins 0,9 m (3 pi) – 0,60 m (3 pi) pour les installations non résidentielles – au-dessus du point le plus haut où le conduit sort du toit et à 0,60 m (2 pi) au-dessus de toute partie du bâtiment située dans un rayon horizontal de 3 m (10 pi) (voir la figure 9.1).

Figure 9.1 - Sortie verticale de conduit à simple paroi débouchant à plus de 3 m (10 pieds) horizontalement d'un mur ou d'un bâtiment adjacent



• Pour des conduits d'évacuation à simple paroi débouchant à moins de 3 m (10 pi) horizontalement de toute partie du bâtiment, le conduit doit se terminer à 0,6 m (2 pi) au-dessus de ladite partie (voir la figure 9.2).

Figure 9.2 - Sortie verticale de conduit à simple paroi débouchant à 3 m (10 pieds) ou moins horizontalement d'un mur ou d'un bâtiment adjacent



B10. Une fois l'installation du système d'évacuation terminée, passez à la section intitulée « Raccordements de gaz ».

B1. Cette section s'applique aux systèmes d'évacuation verticale de catégorie I et complète les prescriptions de la section A – Instructions générales – Tous modèles.

B2. Les systèmes à évacuation verticale se terminent verticalement et leurs dimensions doivent être conformes au National Fuel Gas Code, ANSI Z223.1 (NFPA 54) – dernière édition.

B3. La partie horizontale du conduit ne doit pas dépasser 75 % de la hauteur verticale (Exemple : Si la hauteur est 3 m (10 pi), la partie horizontale ne doit pas dépasser 2,3 m (7,5 pi).

B4. Il est recommandé de toujours poser un té dont la branche verticale munie d'un bouchon servira à collecter les liquides, comme sur la figure 8.1.

B5. Le niveau de l'orifice de sortie doit être à au moins 1,5 m (5 pi) au-dessus du raccord de l'appareil.

B6. Tous les appareils de chauffage à évacuation verticale de catégorie I doivent être raccordés à une cheminée ou à un système d'évacuation conforme à une norme reconnue, ou à une cheminée en maçonnerie (ou en béton) doublée d'un matériau intérieur approuvé par l'autorité compétente. L'évacuation vers une cheminée en maçonnerie non doublée n'est pas permise. Rétendez-vous au National Fuel Gas Code, pages 11-12 pour une évacuation commune.

B7. Utilisez un chapeau de cheminée approuvé pour réduire le refoulement de tirage et l'entrée d'eau de pluie dans le tuyau.

B8. Il est recommandé d'utiliser des tuyaux à double paroi, bien que les tuyaux à simple paroi soient permis si les prescriptions du National Fuel Gas Code sont observées.

B9. Les conduits verticaux doivent se terminer à des distances horizontales et verticales minimales des lignes de toiture et des murs de conduit inférieures à 12 po :

- Pour des conduits d'évacuation à **double paroi** et une distance horizontale de **moins de 8 pi** de tout mur vertical ou obstacle similaire, le conduit doit se terminer à au moins 2 pi au-dessus du point le plus haut de sa traversée du toit et à au moins 2 pi au-dessus de toute partie horizontale du bâtiment du toit dans un rayon de 10 pi (voir la figure 8.1).

- Pour des conduits d'évacuation à **double paroi** et une distance horizontale de **8 pi ou plus** de tout mur vertical ou obstacle similaire, le conduit doit se terminer au-dessus du toit, conformément à la figure 8.1 et au tableau 8.1.

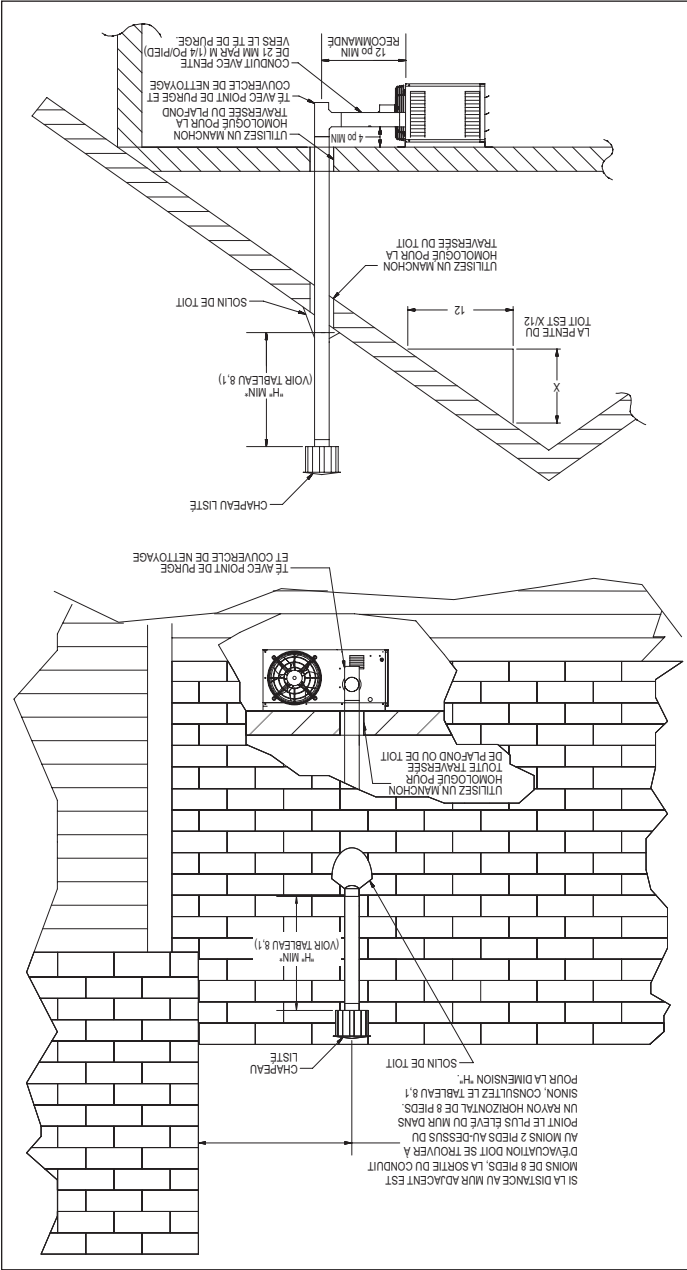
- Pour des conduits d'évacuation à **double paroi** et une distance horizontale de **moins de 8 pi** de tout mur vertical ou obstacle similaire, le conduit doit se terminer à au moins 2 pi au-dessus du point le plus haut de sa traversée du toit et à au moins 2 pi au-dessus de toute partie horizontale du bâtiment du toit dans un rayon de 10 pi (voir la figure 8.1).

Tableau 8.1 - Hauteur minimale de l'orifice de sortie le plus bas au-dessus du toit

Hauteur X (po)	Pente du toit	Hauteur min. H (pi) ①
0-6	Plat à 6/12	1
6-7	6/12 à 7/12	1,25
7-8	7/12 à 8/12	1,50
8-9	8/12 à 9/12	2
9-10	9/12 à 10/12	2,50
10-11	10/12 à 11/12	3,25
11-12	11/12 à 12/12	4
12-14	12/12 à 14/12	5
14-16	14/12 à 16/12	6
16-18	16/12 à 18/12	7
18-20	18/12 à 20/12	7,50
20-21	20/12 à 21/12	8

① Il faut tenir compte de la couche de neige prévisible.

Figure 8.1 - Sortie verticale de conduit à double paroi débouchant à plus ou moins de 2,4 m (8 pieds) horizontalement d'un mur ou d'un obstacle vertical



INSTALLATION – ÉVACUATION

A11. Instructions générales pour l'installation du tuyau de chapeau à double paroi (type B) :

entre l'appareil et la traversée du mur ou du plancher à une longueur supérieure à 1,8 m (6 pi), le manchon peut avoir un diamètre de 5 cm (2 po) seulement de plus que le tuyau. S'il n'y a pas de manchon de traversée, tous les matériaux combustibles doivent être découpés pour assurer un dégagement d'au moins 15 cm (6 po) tout autour du tuyau. Sous réserve de l'accord des autorités compétentes locales, une évacuation de type B peut être utilisée comme dernier tronçon du conduit d'évacuation pour maintenir un dégagement par rapport aux combustibles lors du passage à travers le mur ou le plancher (voir la figure 6-1). Tout matériau utilisé pour boucher cette ouverture doit être incombustible.

Raccordement d'un chapeau de cheminée à paroi simple à un tuyau d'évacuation à double paroi (type B) :

1. Recherchez la flèche « de sens » sur le tuyau d'évacuation.
2. Fixez le chapeau de cheminée à l'extrémité du tuyau d'évacuation à double paroi.
3. Percez (3) avant-trous à travers le tuyau et le chapeau de cheminée. Utilisez des vis à tête de 3/4 po pour fixer le chapeau au tuyau. Ne serrez pas trop.

Comment fixer un tuyau d'évacuation à paroi double à un tuyau de cheminée à double paroi (type B) :

1. Entourez le tuyau à simple paroi dans la paroi interne du tuyau à double paroi.
2. Percez trois avant-trous à travers les deux épaisseurs des tuyaux. Utilisez des vis à tête de 3/4 po pour fixer les deux tuyaux. Ne serrez pas trop.
3. L'écart entre les tuyaux à double et à simple paroi doit être scellé mais il n'est pas nécessaire de remplir le volume complet de la zone annulaire. Pour fermer l'ouverture annulaire, appliquez un large boudin de Silastic 400 °F (205 °C).

A12. Les dégagements doivent être maintenus jusqu'à la sortie du conduit d'évacuation, voir le tableau 7.2.

A13. N'utilisez PAS de registre ni d'autre accessoire dans les conduits d'évacuation ou d'air de combustion.

A14. Des précautions doivent aussi être prises pour éviter la dégradation des matériaux de couverture par les produits de combustion.

A15. Un tuyau d'évacuation à simple paroi ne doit pas traverser un grenier occupé, une cloison, un vide de construction ou un plancher.

A16. Dans les régions où la température d'hiver utilisée pour le calcul à 99 % est inférieure à 0 °C (32 °F), il n'est pas permis d'utiliser des tuyaux simples pour l'évacuation à l'extérieur des gaz de combustion.

Tableau 7.1 - Chapeaux de cheminée

A17. Le chapeau de cheminée doit être :

Taille de modèle	Réf. Modine
30-75	5H0722850005
100-125	5H0722850001

Tableau 7.2 - Des renseignements sur les dégagements de terminaison des événements

L'événement doit se terminer:	Structure de l'organisation	Étalon de référence
3 pieds au-dessus	Entrée d'air forcé dans un rayon de 10' (États-Unis)	NFPA 54
6 pieds dans toutes les directions	Entrée d'air forcé (Canada)	CSA B149.1
3 pieds dans toutes les directions	Entrée d'air de combustion d'un autre appareil	CSA B149.1
4 pieds au-dessus, 4 pieds à l'horizontale ou 1 pied au-dessus	Fenêtre de porte, entrée d'air par gravité ou toute ouverture de bâtiment (États-Unis)	NFPA 54
3 pieds dans toutes les directions	Fenêtre de porte, entrée d'air par gravité ou ouverture d'un bâtiment (Canada)	CSA B149.1
3 pieds horizontaux	Compteur d'énergie électrique, compteur de gaz, régulateur de gaz et équipement de secours	CSA B149.1
3 pieds dans toutes les directions	Bâtiment adjacent, bâtiment adjacent ou mur de parapet	Modine
7 pieds dans toutes les directions	Passerelles publiques adjacentes	NFPA 54/CSA B149.1
1 pied au-dessus	Grade (rez-de-chaussée)	NFPA 54/CSA B149.1
1 pied en dessous ou 1 pied au-delà	Avant-toit avec porte-à-faux de 24 pouces ou moins	Modine
3 pieds en dessous ou 1 pied au-delà	Avant-toit avec un porte-à-faux de plus de 24 pouces	Modine

① L'événement ne doit pas déboucher au-dessus d'un compteur ou d'un régulateur de gaz.

Recommandations fondées sur la norme CSA B149.1 et la norme NFPA 54. La ventilation doit être conforme à la révision en vigueur applicable des codes d'installation locaux et nationaux.

Tableau 7.3 - Exigences ANSI pour les conduits d'évacuation des appareils de chauffage

Catégorie	Description	Ventilation
I	Pression d'évacuation négative sans condensation	Suivez les exigences d'évacuation standard.
II	Pression d'évacuation négative avec condensation	Le condensat doit être égoutté.
III	Pression d'évacuation positive sans condensation	Le conduit d'évacuation doit être étanche aux gaz.
IV	Pression d'évacuation positive avec condensation	L'évacuation doit être étanche aux gaz et aux liquides. Le condensat doit pouvoir s'égoutter.

Remarque : Les tuyaux de raccordement desservant des appareils de catégorie I ne doivent pas être reliés à une partie d'un système d'évacuation à tirage mécanique fonctionnant avec une pression positive.

Détermination du système d'évacuation – Catégorie I verticale

- Conduit vertical débouchant verticalement (vers le haut).
- La partie horizontale du circuit ne doit pas dépasser 75 % de la hauteur verticale (Exemple : Si la hauteur est 3 m (10 pi), la partie horizontale ne doit pas dépasser 2,3 m (7,5 pi)).
- Le niveau de la sortie du système d'évacuation doit être à au moins 1,5 m (5 pi) au-dessus du raccord de l'appareil.
- Si le système d'évacuation respecte TOUTES ces exigences (voir l'exemple de la figure 9.1), passez à la section B – Installation des systèmes d'évacuation verticale. Dans tous les autres cas, passez à la section suivante « Détermination du système d'évacuation horizontal Catégorie III ».

Détermination d'un système d'évacuation horizontal de catégorie III

- Conduit horizontal débouchant horizontalement (sur le côté du bâtiment).
- Un système d'évacuation qui se termine verticalement mais comporte une partie horizontale de plus de 75 % de sa hauteur verticale est considéré comme horizontal.
- Les configurations d'évacuation horizontales appartiennent à la catégorie III. Pour les installations résidentielles, cela implique l'emploi de conduits d'évacuation homologués (UL 1738) de catégorie III. D'autres exigences, notamment celles qui s'appliquent aux installations commerciales et industrielles figurent dans la section C – Installations de systèmes d'évacuation horizontale de catégorie III.

AVERTISSEMENT

1. Un système d'évacuation est obligatoire pour les appareils de chauffage au gaz – ne les faites jamais fonctionner sans évacuation des gaz.

2. Un extracteur intégré assure la circulation des gaz – il est inutile ou interdit d'installer un dispositif d'extraction externe supplémentaire.

3. Si un appareil de chauffage existant est remplacé, vous devrez peut-être redimensionner les systèmes d'évacuation des gaz. Un système de ventilation de diamètre insuffisant peut causer des retoulements de gaz brûlés ou la formation de condensats. Reportez-vous au National Fuel Gas Code ANSI Z223.1 (NFPA 54) ou à la dernière édition du code d'installation CSA B149.1. Le non-respect de ces instructions peut se solder par des blessures graves, voire mortelles.

4. Il est interdit d'accoupler deux longueurs de tuyau à double paroi dans une même installation d'évacuation horizontale à cause de l'impossibilité de vérifier l'étanchéité des raccords du tuyau intérieur.

L'installation doit se faire conformément aux codes locaux de la construction ou, à défaut de tels codes, conformément au National Fuel Gas Code, ANSI Z223.1 (NFPA 54), dernière édition. Au Canada, l'installation doit se faire selon le code CSA B149.1.

Les circuits d'évacuation des modèles HD/HD/DB doivent être conformes aux descriptions des présentes instructions pour conduire les gaz de combustion de l'appareil ou de son raccord de sortie vers l'atmosphère extérieure.

Les instructions d'évacuation sont organisées en sections, selon le type d'installation. Ces sections sont identifiées de la manière suivante :

Section	Instructions d'installation applicables par type de système d'évacuation
A	Instructions générales applicables à TOUTES les installations
B	Systèmes d'évacuation VERTICALE Catégorie I ①
C	Systèmes d'évacuation HORIZONTALE Catégorie III ①

① La différence entre les systèmes verticaux de catégorie I et les systèmes horizontaux de catégorie III sont indiquées dans la Section A – Instructions générales – Tous modèles.

Section A – Instructions générales – Tous modèles

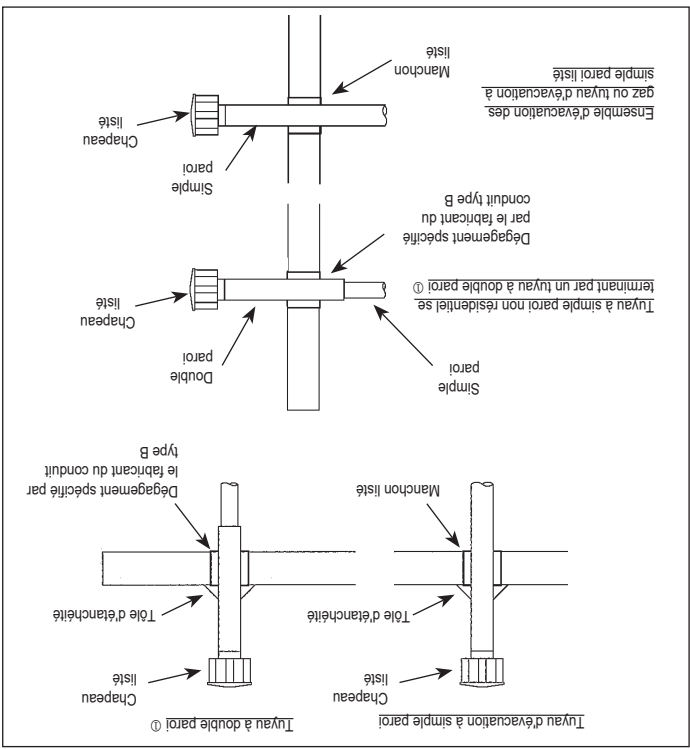
- A1. Si l'appareil que vous installez remplace un équipement existant et utilise le même système d'évacuation, inspectez le système d'évacuation pour vérifier que les diamètres et la pente des tuyaux sont conformes aux exigences du National Fuel Gas Code ANSI Z223.1 (NFPA 54) ou du code d'installation CSA B149.1, dernière édition, et aux présentes instructions. Déterminez s'il n'y a pas d'obstructions, de restriction, de fuite, de corrosion ou d'autres déficiences pouvant créer un risque.
- A2. Le conduit d'évacuation doit être en acier galvanisé ou autre matériau anticorrosion approprié (sauf pour les systèmes de type horizontal de catégorie III, qui seront couverts dans la section C). L'épaisseur minimale du conduit d'évacuation est spécifiée dans le National Fuel Gas Code. L'épaisseur minimale des raccords dépend du diamètre du tuyau. N'utilisez jamais des tuyaux de cheminée en PVC ou autres types de plastique.
- A3. Tous les appareils de chauffage sont fournis avec un adaptateur d'évacuation installé en usine permettant d'attacher le tuyau d'évacuation à l'appareil de chauffage. Fixez le tuyau d'évacuation à l'adaptateur avec 3 vis anticorrosion. (Percez des avant-trous à travers le tuyau d'évacuation et l'adaptateur avant de visser.)
- A4. Pour les longueurs totales de tuyau d'évacuation équivalentes, en créant le système d'évacuation le plus droit possible, voir le tableau 6.1. La longueur équivalente d'un coude de 3 pouces est 0,3 m (1 pi), celle d'un coude de 4 pouces est 1,5 m (5 pi).

Taille de modèle	Diamètre de conduit	Équiv. minimum Longueur	Équiv. maximum Longueur
100-125	4 po	3 pi	30 pi
30-75	3 po	3 pi	30 pi

Tableau 6.1 - Diamètres de tuyau d'évacuation et longueurs d'évacuation horizontaux

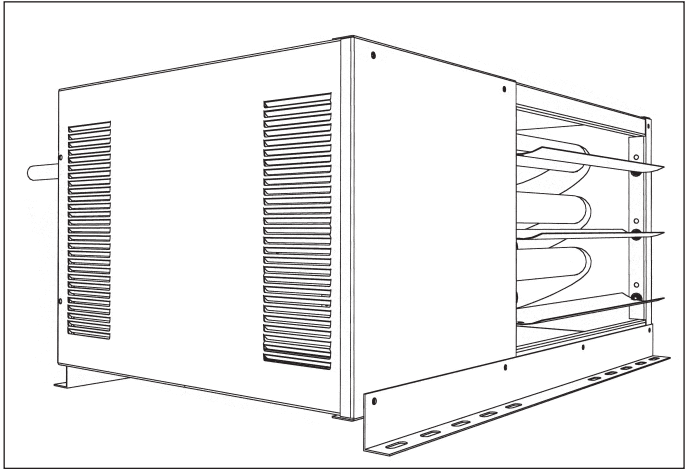
- A5. Il est recommandé de prévoir un raccord droit d'au moins 30 cm (12 po) entre la sortie de l'appareil et le conduit d'évacuation.
- A6. Les sections horizontales du tuyau d'évacuation doivent être installées avec une pente ascendante ou descendante de l'appareil de 1/4 de pouce par pied et doivent être suspendues de manière sécurisée à des structures suspendues à des points ne dépassant pas 3 pi.
- A7. Les tuyaux doivent être fixés les uns aux autres par au moins 3 vis à tête anticorrosion.
- A8. Les tuyaux à simple paroi doivent être éloignés d'au moins 15 cm (6 po) des surfaces combustibles. Pour des tuyaux à double paroi, suivez les instructions du fabricant en matière de dégagement. La distance minimum des matières combustibles dépend de la température de surface de la matière combustible ne devant pas dépasser 71 °C. Il est possible que la distance par rapport au tuyau de ventilation (ou au haut de l'appareil) doive être augmentée à plus de 6 po si la chaleur risque de causer des dommages autre que le feu (comme des déformations ou une altération de couleur).
- A9. Évitez de faire passer le conduit à travers un espace non chauffé, dans la mesure du possible. Si le tuyau traverse un espace non chauffé ou si l'appareil est installé dans un environnement propice à la condensation, il faudra isoler toute longueur de tuyau de plus de 1,5 m (5 pi) afin de minimiser la condensation. Assurez-vous qu'il n'y a pas de fuites et utilisez un isolant non combustible avec un indice non inférieur à 204 °C (400 °F). Installez un raccord en té au point bas du système de ventilation et fournissez un collecteur de condensats avec un bouchon de nettoyage, comme illustré à la figure 8.1.
- A10. Si le tuyau traverse une cloison INTÉRIEURE ou un plancher combustible, la traversée doit être munie d'un manchon métallique d'un diamètre supérieur de 4 po à celui du tuyau. Si le tuyau situé

Figure 6.1 - Cheminée traversant un mur ou un toit combustible



① Consultez les instructions A10 pour voir comment attacher un tuyau à simple paroi à un tuyau à double paroi.

Figure 5.2 - Appareil tourné de 180° (modèles 30-75 seulement)
 (Panneau d'accès et sortie d'air réchauffé changent de côté)



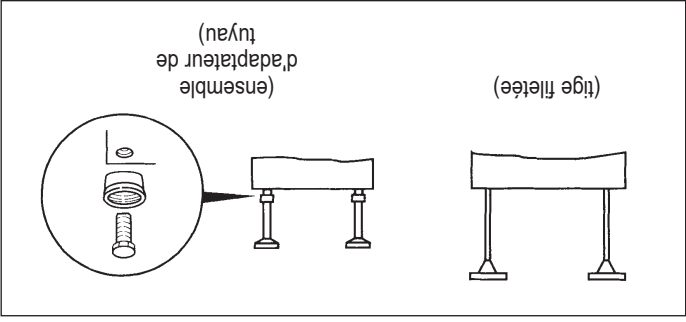
5b. Suspension par des tiges filetées : cet appareil de chauffage peut également être suspendu en utilisant les mêmes ferrures de montage et des tiges filetées. Fixez la tige filetée à la ferrure avec des écrous vissés de part et d'autre de la pièce. Pour les tailles de modèle 100-125, les appareils sont conçus pour être suspendus au moyen de tiges filetées, sans supports. Sur chaque section de tige filetée de 3/8 po utilisée, vissez un écrou sur une distance de 2,5 cm environ sur l'extrémité des tiges filetées qui seront vissées sur l'appareil de chauffage. Placez une rondelle sur l'extrémité de la tige filetée et vissez la tige filetée sur les écrous à souder de l'appareil de chauffage sur le dessus de l'appareil de chauffage en donnant 5 tours minimum, mais pas plus de 10. Serrez le premier écrou installé sur la tige filetée pour éviter la rotation de la tige.

Percez ensuite des trous dans un profilé en U ou une cornière au même espacement que les dimensions choisies sur l'appareil à installer. Les canaux en acier ou cornières devront être attachés aux éléments de structure appropriés. Coupez les tiges filetées à la longueur désirée et enfitez-les dans les trous du profilé ou de la cornière en les fixant avec des rondelles plates et des écrous freinés, contre-écrou.

REMARQUE : Un kit d'adaptateur pour suspension de tuyau, illustré à la figure 5.3, est fourni, disponible en accessoire. Un kit comprend des trous de 3/4" Bouchons de tuyaux IPS et vis à tête 3/8" - 16 x 1-3/4" pour la facilité tube de suspension fileté.

5c. Montage sur étagère : L'appareil peut aussi être installé sur une étagère. Pour cela, montez les ferrures de fixation, comme expliqué dans la note 4, mais en bas plutôt qu'en haut de l'appareil. Les ferrures sont fixées à la console avec les mêmes vis (1/4 po et rondelles 1/2 po) que pour la suspension à des solives ou des poutrelles. Assurez-vous que toutes les distances aux surfaces combustibles sont respectées.

Figure 5.3 - Méthodes de suspension des appareils de chauffage



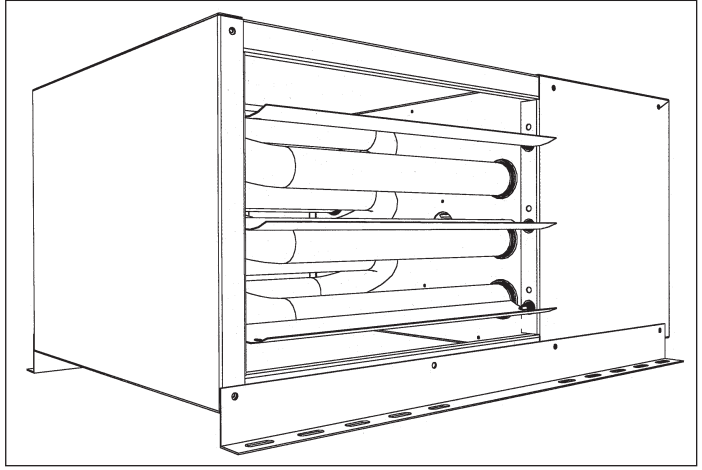
ATTENTION

MONTAGE DE L'APPAREIL

1. Dans le cas d'applications commerciales, les appareils ne doivent pas être installés à une hauteur de moins de 2,1 m (7 pi), mesurée entre le dessous et le plancher (à moins d'installer une protection appropriée des parties mobiles) et, dans le cas d'applications résidentielles, à une hauteur de moins de 1,5 m (5 pi) entre le dessus et le plancher.
2. Vérifiez qu'il n'y a pas d'obstacle devant la prise d'air et la sortie d'air chaud.
3. La distance minimum des matériaux combustibles dépend de la température de surface du matériau combustible ne dépassant pas 160 °F. Au-dessus de l'appareil, il faudra peut-être laisser un dégagement supérieur au minimum spécifié si des matériaux placés au-dessus de l'appareil à la température indiquée risquent de subir des dommages thermiques, autres que le feu.
4. Prévoyez un dégagement de 46 cm (18 po) à l'arrière ou de 15 cm (6 po) au-delà de l'extrémité du moteur, selon la plus grande des deux valeurs, et du côté de la porte d'accès pour assurer assez d'air pour le bon fonctionnement du ventilateur et pour la combustion.

1. Assurez-vous que les pièces de suspension peuvent supporter le poids de l'appareil (voir la page 18 pour les poids).
2. Pour bien fonctionner, l'appareil doit être installé à l'horizontale.
3. Les dégagements par rapport aux surfaces combustibles, telles que spécifiées précédemment, doivent être strictement maintenues.
4. Pour les tailles de modèle 30 à 75, installez comme suit les supports de fixation avant d'amener l'appareil à sa position de montage (pour l'installation des supports accessoires sur les tailles de modèle 100 à 125, consultez la dernière version de la documentation 6-594) :
 - Pour un montage normal (commandes à gauche), retirez les trois (3) vis et la ferrure de montage du bord supérieur, à l'avant et à l'arrière de l'appareil. Remontez la ferrure avant en alignant les trous de vis de la ferrure avec ceux du bord supérieur de l'appareil, comme illustré sur la figure 5.1. Procédez de la même façon pour la ferrure arrière.
 - Pour une installation avec les commandes à droite, retirez les trois (3) vis et la ferrure de montage du bord supérieur, à l'avant et à l'arrière de l'appareil. Installez la ferrure avant en alignant les trous de vis de la ferrure avec ceux du nouveau bord supérieur de l'appareil, comme illustré sur la figure 5.2. Procédez de la même façon pour la ferrure arrière.
- 5a. **Suspension par des vis ou des tirefonds :** Fixez les supports aux solives du plafond ou au raidisseur en utilisant des vis de 1/4 po et des rondelles de 1/2 po. Les ferrures de montage en cornière sont percées pour des solives espacées de 40 ou 61 cm (16 ou 24 po).

Figure 5.1 - Appareil monté en position normale (appareils 30 à 75 seulement)



Les appareils ne doivent pas être installés à un endroit où ils risquent d'être exposés à une atmosphère potentiellement explosive ou inflammable.



1. Les dégagements aux matériaux combustibles sont essentiels. Assurez-vous de respecter toutes les exigences mentionnées.

2. N'installez pas les appareils dans des pièces très hermétiques ou des petits compartiments (espaces clos) sans établir une bonne ventilation et une entrée d'air de combustion. L'air de combustion doit avoir accès à l'espace clos à travers deux ouvertures permanentes au moins dans l'enceinte, dont une au moins à proximité du fond. Ces ouvertures doivent fournir un espace libre de 6,45 cm² ou d'un pouce carré par tranche de 1000 BTU/h de puissance calorifique de l'appareil ou un minimum de 645 cm² ou 100 pouces carrés pour chaque ouverture, le plus élevé l'emportant.

3. Les appareils de chauffage à profil bas sont conçus pour être utilisés dans des applications où la température ambiante de départ est comprise entre -40 et 90 °F et la température ambiante de fonctionnement entre 40 et 90 °F.

4. L'appareil n'est pas conçu pour être installé à l'extérieur. Dans les stationsnements, l'appareil doit être installé conformément à la norme relative aux structures de stationnement ANSI/NFPA 88A (dernière édition), et dans les garages de réparation, conformément à la norme NFPA 30A (dernière édition) (ex-NFPA 88B). Au Canada, l'installation d'appareils de chauffage dans des hangars d'aviation doit être effectuée conformément aux exigences de l'autorité de réglementation B149.

5. Dans les garages ou dans certaines parties des hangars d'aviation, réservés à l'entretien ou à l'entreposage, le bas de l'appareil doit être placé à au moins 2,1 m du sol, sauf si des protections adéquates sont installées pour protéger convenablement l'appareil. Dans les stationsnements, l'appareil doit être installé conformément à la norme relative aux structures de stationnement ANSI/NFPA 88A (dernière édition), et dans les garages de réparation, conformément à la norme NFPA 30A (dernière édition) (ex-NFPA 88B). Au Canada, l'installation d'appareils de chauffage dans des hangars d'aviation doit être effectuée conformément aux exigences de l'autorité de réglementation B149.

6. Dans un hangar d'aviation, le bas de l'appareil doit être à au moins 3,05 m au-dessus de la plus haute surface des ailes ou d'un capot moteur, pour l'avion le plus haut que le hangar accueille et doit respecter les prescriptions de l'autorité de réglementation et/ou de la norme NFPA 409 – dernière édition.

7. Si l'appareil est installé dans un environnement très humide ou salin, il sera soumis à une corrosion accélérée qui réduira sa durée de vie normale.

IMPORTANT

Pour éviter la panne prématurée de l'échangeur thermique, ne placez AUCUN appareil à gaz à des endroits où les vapeurs corrosives (chlorées, halogénées ou acides) sont présentes dans l'atmosphère.

Recommandations pour le choix de l'emplacement

1. Les facteurs à considérer pour le choix de l'emplacement de l'appareil de chauffage sont les distances prescrites et les besoins de chauffage, l'endroit où se trouve l'arrivée du gaz et l'entrée électrique, ainsi que la proximité des conduits d'évacuation.

2. Lors du choix de l'emplacement d'installation, il est important de prendre en considération le raccourcissement de la tuyauterie d'évacuation vers l'atmosphère extérieure.

3. Assurez-vous que le support de l'appareil est assez solide pour porter son poids. Pour bien fonctionner, l'appareil doit être installé à l'horizontale.

4. N'installez pas l'appareil à un endroit où ses gaz brûlés pourraient être aspirés à l'intérieur d'un édifice voisin par une fenêtre, une prise d'air frais, etc.

Tableau 4.1 Dégagements

Dégagement recommandé pour la maintenance	Distance minimum des matières combustibles	HD	4 po	4 po	18 po
		HDB	1 po	6 po	18 po
HD/HDB	HD	Haut et bas	1 po	6 po	18 po
		Côté porte d'accès	1 po	6 po	18 po
HD/HDB	HD	Côté opposé à la porte	1 po	6 po	18 po
		Arrière	18 po	18 po	18 po
HD/HDB	HD	Raccord évacuation	4 po	4 po	18 po
			4 po	4 po	18 po

5. Vérifiez que les distances minimales aux surfaces combustibles et les dégagements recommandés pour l'entretien sont respectés. Les distances d'installation et les dégagements minimaux sont indiqués au tableau 4.1.

6. N'installez pas les appareils à un endroit où le système d'inflammation du gaz serait exposé à un brouillard d'eau, à la pluie ou à un goutte-à-goutte.

7. La hauteur de montage (mesurée du bas de l'appareil) est un aspect critique de l'installation. Pour les hauteurs de montage et les portées de chauffage, reportez-vous à la page 18 de ce manuel. La hauteur de montage maximale est le niveau pour lequel l'air chaud de l'appareil n'atteint plus le plancher.

Exigences en matière d'air de combustion

Le National Fuel Gas Code définit un « espace clos » comme un espace dont le volume est supérieur à 1,41 mètre cube (50 pieds cubes) par tranche de 1000 BTU/h de puissance calorifique installée est considéré comme un espace clos.

L'installation de ces appareils de chauffage dans des espaces clos résidentiels n'est pas recommandée. Cette recommandation est basée sur le fait qu'à un certain moment, les ouvertures d'air de combustion prévues par l'installateur pourraient être bloquées ou masquées, intentionnellement ou accidentellement. Si, malgré cette recommandation, vous décidez d'installer l'appareil dans un espace clos résidentiel, il faut consulter le National Fuel Gas Code ANSI Z223.1 (NFPA 54) ou le code d'installation CSA B149.1, dernière édition, pour connaître les dispositions détaillées relatives à l'air de combustion. L'installation doit respecter ces exigences. Les appareils installés dans des espaces clos d'installations industrielles ou commerciales doivent disposer d'ouvertures permanentes – l'une proche du haut et l'autre proche du bas de l'espace confiné. Chaque ouverture doit avoir un espace libre d'au moins 6,45 cm² (1 po²) par tranche de 1000 BTU/h de puissance calorifique totale de tous les appareils qui se trouvent dans un espace confiné, et doit communiquer librement avec les zones intérieures, lesquelles doivent avoir une infiltration adéquate de l'extérieur.

Pour des détails sur l'apport d'air de combustion dans un espace confiné (hermétiquement fermé) ou non confiné, consultez le National Fuel Gas Code ANSI Z223.1 (NFPA 54) ou le code d'installation CSA B149.1, dernière édition.

Inverser l'appareil en le tournant de 180° (modèles 30-75 seulement)

Tous les appareils sont livrés avec les commandes à gauche, lorsqu'on les regarde de l'avant. Si l'installation nécessite que les commandes soient sur le côté droit, tous les appareils, sauf les HD/HDB 100 et 125, peuvent être retournés en suivant les instructions ci-après.

- Le fait de retourner l'appareil de 180° par rapport à sa position d'origine, inverse ses côtés, mais l'avant et l'arrière conservent leurs positions relatives. Le panneau du bas devient le panneau du haut, et vice-versa.
- Le panneau d'accès doit être démonté, retourné de 180° et remis en place de manière que ses étiquettes d'information soient lisibles.
- Enlevez les persiennes à ressort, retournez-les et remontez-les. Ouvrez et réglez les persiennes pour que l'air chaud soit rabattu vers le plancher.

PRÉCAUTIONS PARTICULIÈRES / FACTEURS DE CONVERSION SI (SYSTÈME MÉTRIQUE) / EMPLACEMENT D'INSTALLATION

AVANT DE COMMENCER

ATTENTION

1. Toute la documentation livrée avec l'appareil doit être conservée pour référence lors des opérations d'entretien et de diagnostic des panes. Laissez le manuel au propriétaire. Ne jetez aucune documentation fournie avec cet appareil.
2. Étudiez les instructions en matière de tuyauterie, de câblage électrique et d'évacuation des gaz de ce manuel avant d'effectuer l'installation finale.
3. Ne raccordez pas les gaines, les filtres à air ou les faisceaux de tubes à un aérotherme.

Aux États-Unis, l'installation de ces appareils doit se faire conformément au code « National Fuel Gas Code », ANSI Z223.1, dernière édition (aussi connu sous le nom de NFPA 54) et aux autres codes du bâtiment locaux applicables. Au Canada, l'installation de ces appareils doit se faire conformément aux codes locaux de la plomberie et des eaux usées, et aux autres codes applicables, ainsi qu'à la version courante du code CSA B149.1.

1. Toutes les opérations d'installation et d'entretien de ces appareils doivent uniquement être confiées à une entreprise qualifiée, telle que définie dans la dernière édition de la norme ANSI Z223.1 (NFPA 54) ou, au Canada, par un installateur de gaz certifié.
2. Cet appareil est listé avec le système de commande fourni. Veuillez commander les pièces de rechange d'après la liste de pièces qui se trouve sur la plaque signalétique. Ayez toujours à portée de la main les numéros de modèle et de série. Modifiez la réserve le droit de substituer d'autres commandes listées comme pièces de rechange.
3. L'appareil est équilibré pour un fonctionnement correct. Ne modifiez pas le ventilateur ou ne faites pas fonctionner les moteurs à vitesse réduite.
4. La documentation sur les organes de régulation est fournie séparément.
5. Le même brûleur convient pour le gaz naturel et pour le propane.

ATTENTION

17. Pour l'essai d'étanchéité des tuyauteries d'alimentation en gaz, l'appareil et son régulateur de gaz combiné doivent être isolés pour tout essai fait à une pression dépassant 14 po C.E. ou (1/2 psi).
18. L'appareil doit pouvoir être isolé de la conduite d'alimentation en gaz par la fermeture d'un robinet d'arrêt manuel posé à l'installation. Ce robinet d'arrêt doit être à une distance d'au moins 1,8 m (6 pi) de l'appareil de chauffage.
19. Formez l'arrivée générale de gaz avant d'installer l'appareil.
20. Assurez-vous que la tension d'alimentation de l'appareil, comme indiqué sur la plaque signalétique, n'est pas inférieure à 5% sous la tension nominale.
21. Mesurez la pression d'entrée du gaz en amont du régulateur de gaz combiné. La pression d'entrée de l'appareil doit être de 6 à 7 po C.E. pour le gaz naturel ou de 11 à 14 po C.E. pour le propane. Si la pression d'entrée est trop élevée, installez un détendeur supplémentaire en amont du régulateur de gaz combiné.
22. L'entretien et les réparations de l'appareil doivent être confiés à un centre de SAV qualifié.
23. Ne tentez pas de réutiliser un contrôleur mécanique ou électronique d'allumage qui a été atteint par l'eau. Remplacez tout contrôleur défectueux.

IMPORTANT

1. Pour éviter la panne prématurée de l'échangeur de chaleur, ne placez AUCUN appareil à gaz à des endroits où des vapeurs corrosives (chlorées, halogénées ou acides) sont présentes dans l'atmosphère.
2. Pour éviter une défaillance prématurée de l'échangeur de chaleur, l'apport calorifique du gaz utilisé ne doit pas excéder de plus de 5% la valeur nominale inscrite sur la plaque signalétique de l'appareil.
3. Consultez l'essentiel des solutions possibles dans le guide de dépannage fourni au tableau 20.1 du manuel.

Facteurs de conversion SI (Système métrique)

Pour convertir	Multipliez par	Pour obtenir
po C.E.	0,249	KPa
°F	(°F-32) x 5/9	°C
BTU	1,06	KJ
BTU/pi ³	37,3	KJ/m ³
BTU/h	0,00293	KW/h
CFH (pi ³ /h)	0,000472	m ³ /min
CFH (pi ³ /h)	0,00000787	m ³ /s
CFM (pi ³ /min)	0,0283	m ³ /min
CFM (pi ³ /min)	0,000472	m ³ /s
piéd	0,305	m
Gal/h	3,79	l/h
Gal/h	3,79	l
gallons	3,79	l
cheval-vapeur	746	W
pouces	25,4	mm
livre	0,454	kg
psi	6,89	KPa
psi	27,7	po C.E.

PRÉCAUTIONS PARTICULIÈRES
LES INSTRUCTIONS D'INSTALLATION ET D'ENTRETIEN DE CE MANUEL
DOIVENT ÊTRE RESPECTÉES POUR ASSURER UN FONCTIONNEMENT
CORRECT, EFFICACE ET SANS PROBLÈMES. IL CONVIENT ÉGALEMENT
DE RESPECTER RIGOREUSEMENT LES PRÉCAUTIONS PARTICULIÈRES
CI-APRÈS. LE FAIT DE NE PAS SE CONFORMER À CES PRÉCAUTIONS
CRITIQUES PEUT CAUSER DES DOMMAGES MATÉRIELS, DES BLESSURES
OU LA MORT. CES INSTRUCTIONS SONT DONNÉES SOUS RÉSERVE DE
HIÉRARCHIE DES NIVEAUX DE RISQUES

- DANGER** : Indique un danger imminent qui, s'il n'est pas évité, entraînera l'INÉVITABLEMENT des blessures graves, voire mortelles.
- AVERTISSEMENT** : Indique un danger potentiel qui, s'il n'est pas évité, POURRAIT engendrer des blessures graves, voire mortelles.
- ATTENTION** : Indique un danger potentiel qui, s'il n'est pas évité, PEUT engendrer des blessures mineures ou modérées.
- IMPORTANT** : Indique une situation qui, si elle n'est pas évitée, PEUT poser un problème de sécurité.

DANGER

Les appareils ne doivent pas être installés à un endroit où ils risquent d'être exposés à une atmosphère potentiellement explosive ou inflammable.

AVERTISSEMENT

- Un système d'évacuation est obligatoire pour les appareils de chauffage au gaz – ne les faites jamais fonctionner sans évacuation des gaz.
- Un extracteur intégré assure la circulation des gaz – il est inutile ou interdit d'installer un dispositif d'extraction externe supplémentaire.
- Si un appareil de chauffage existant est remplacé, vous devez peut-être redimensionner les systèmes d'évacuation des gaz. Un système de ventilation de diamètre insuffisant peut causer des refoulements de gaz brûlés ou la formation de condensat. Reportez-vous au National Fuel Gas Code ANSI Z223.1 (NFPA 54) ou à la dernière édition de la norme CSA B149.1. Le non-respect de ces instructions peut avoir des conséquences graves ou mortelles.
- Il est interdit d'accoupler deux longueurs de tuyau à double paroi dans une même installation d'évacuation horizontale à cause de l'impossibilité de vérifier l'étanchéité des raccords du tuyau intérieur.
- Toutes les tuyauteries de gaz existantes doivent être soumises à des essais de pression et d'étanchéité avant la mise en marche. Ne recherchez jamais les fuites avec une flamme nue. Utilisez plutôt de l'eau savonneuse ou un produit équivalent.
- La pression de gaz au régulateur de l'appareil ne doit jamais dépasser 14 po C.E. (1/2 psi).
- Pour réduire les risques de condensation, le pouvoir calorifique minimum du gaz (au niveau de la mer) ne doit pas être inférieur de plus de 5 % à la valeur nominale figurant sur la plaque signalétique de l'appareil ou de 5 % à la valeur la plus basse des appareils à double alimentation.
- Débranchez l'alimentation électrique avant de faire les connexions pour éviter les chocs électriques et les dommages à l'équipement.
- Tous les branchements et câblages doivent être faits en stricte conformité avec le schéma fourni avec l'appareil. Tout câblage différentiel de celui du schéma peut créer des risques de dommages matériels ou de blessures.
- Tout câblage usiné d'origine exigeant un remplacement doit être remplacé par un câble d'indice thermique nominal de 105 °C.
- Vérifier que la tension d'alimentation n'est pas supérieure de plus de 5 % à la tension nominale inscrite sur la plaque de l'appareil.
- Pour l'entretien et les réparations de cet appareil, n'utiliser que des pièces d'origine certifiées. Pour la liste complète des pièces de rechange, adressez-vous au fabricant. Le numéro de modèle complet, le numéro de série et l'adresse du fabricant figurent sur la plaque signalétique fixée à l'appareil. Toute substitution de pièce ou de commande non approuvée par le fabricant sera aux risques du propriétaire.

ATTENTION

- Toute la documentation livrée avec l'appareil doit être conservée pour référence lors des opérations d'entretien et de diagnostic des pannes. Ne jetez aucune documentation fournie avec cet appareil.
- Étudiez les instructions en matière de tuyauterie, de câblage électrique et d'évacuation des gaz de ce manuel avant d'effectuer l'installation finale.
- Ne raccordez pas les gaines, les filtres à air ou les faisceaux de tubes à un aérotherme.
- Les dégagements par rapport aux matériaux combustibles adjacents sont essentiels. Assurez-vous de respecter toutes les exigences mentionnées.
- N'installez pas les appareils dans des pièces très hermétiques ou des petits compartiments (espaces clos) sans établir une bonne ventilation réservée à l'entretien ou à l'entreposage, le bas de l'appareil doit être placé à au moins 2,13 m (7 pi) du sol, sauf si vous installez aussi des protections adéquates pour éviter les contacts avec des pièces mobiles. Dans les stationnements, l'appareil doit être installé conformément à la norme relative aux structures de stationnement ANSI/NFPA 88A (dernière édition), et dans les garages de réparation, conformément à la norme NFPA 30A (dernière édition) (ex-NFPA 88B), Au Canada, l'installation d'appareils de chauffage dans des hangars d'aviation doit être effectuée conformément aux exigences de l'autorité de réglementation et, dans les garages publics, conformément aux codes courants CSA B149.
- Dans un hangar d'aviation, le bas de l'appareil doit être à au moins 3 m (10 pi) au-dessus de la plus haute surface des ailes ou d'un capot moteur, pour l'avion le plus haut que le hangar est destiné à accueillir et être installées à une hauteur de moins de 2,1 m (7 pi), mesurée entre le dessous et le plancher (à moins d'installer une protection appropriée des parties mobiles) et, dans le cas d'applications résidentielles, à une hauteur de moins de 1,5 m (5 pi) entre le dessous et le plancher.
- Vérifiez qu'il n'y a pas d'obstacle devant la prise d'air et la sortie d'air chaud.
- La distance minimum des matériaux combustibles dépend de la température de surface du matériau combustible ne dépassant pas 160 °F. Au-dessus de l'appareil, il faudra peut-être laisser un dégagement supérieur au minimum spécifié si des matériaux placés au-dessus de l'appareil à la température indiquée risquent de subir des dommages thermiques, autres que le feu.
- Prévoyez un dégagement de 46 cm (18 po) à l'arrière ou de 15 cm (6 po) au-delà de l'extrémité du moteur, selon la plus grande des deux valeurs, et du côté de la porte d'accès pour assurer assez d'air pour le bon fonctionnement du ventilateur et pour la combustion.
- L'installation doit se faire conformément aux codes locaux de la construction ou, à défaut de tels codes, conformément au National Fuel Gas Code, ANSI Z223.1 (NFPA 54) – dernière édition. Au Canada, l'installation doit se faire selon le code CSA B149.1.
- La purge de l'air des tuyauteries de gaz doit se faire selon la procédure ANSI Z223.1 (NFPA 54) de la dernière édition du National Fuel Gas Code. Au Canada, l'installation doit se faire selon le code CSA B149.1.



MANUEL D'INSTALLATION ET DE MAINTENANCE appareils de chauffage au gaz modèles HD et HDB



Tous les modèles approuvés pour une utilisation en Californie par le CEC et au Massachusetts. L'appareil de chauffage est certifié pour des applications résidentielles et commerciales. Ces aérothermes sont certifiés comme appareils de chauffage utilitaire et sont destinés au chauffage d'espaces non vivants reliés, adjacents ou faisant partie d'une structure contenant des espaces pour les logements de la famille. Ils ne sont pas destinés à être la principale source de chaleur dans les applications résidentielles.

IMPORTANT

Ce manuel est spécifiquement destiné au personnel d'une entreprise d'installation et d'entretien qualifiée. Toutes les opérations d'installation et d'entretien doivent être confiées à une entreprise qualifiée.

Inspection à la réception

1. Inspectez l'appareil à la livraison. Signalez immédiatement tout dommage au transporteur et avisez le représentant commercial local de Modine.
2. Vérifiez la plaque signalétique pour déterminer si les caractéristiques de l'appareil correspondent au secteur électrique disponible au point d'installation.
3. Inspectez l'appareil à la réception pour vous assurer qu'il est conforme à la description du produit commandé (y compris aux spécifications, s'il y a lieu).

Table des matières

1	Inspection à l'arrivée.
2	Précisions spéciales.
3	Facteurs de conversion métrique (SI).
3	Avant de commencer.
4	Emplacement d'installation.
4	Matériaux combustibles et dégagements.
4	Montage de l'appareil.
5	Installation de l'appareil.
5	Ventilation.
6	Raccordements au gaz.
12	Ensemble d'accessoires pour haute altitude.
13	Électriques.
15	Câblage et réglage de la vitesse de la soufflante.
16	Mode d'emploi.
17	Éléments constitutifs.
18	Dimensions.
19	Maintenance/Dépannage.
20	Schéma de câblage de l'appareil.
21	Numéro de série ou de modèle et pièces de rechange.
22	Garantie commerciale.
23 - 24	

AVERTISSEMENT

1. Une installation, des réglages, des modifications ou un entretien inappropriés peuvent causer des dommages matériels, des blessures ou la mort, ainsi que l'exposition à des substances reconnues par divers organismes officiels comme causant des cancers, des malformations congénitales ou des anomalies du système reproducteur. Lisez attentivement les instructions d'installation, d'utilisation et d'entretien avant d'installer ou d'entretenir cet appareil.
2. N'installez AUCUN appareil fonctionnant au gaz dans des lieux où l'atmosphère contient des vapeurs chlorées, halogénées ou acides. Ces substances peuvent causer une défaillance prématurée de l'échangeur de chaleur, en raison de la corrosion, laquelle peut provoquer des dommages matériels, des blessures graves ou même la mort.

POUR VOTRE SÉCURITÉ

SI VOUS SENTEZ UNE ODEUR DE GAZ :

1. Ouvrez les fenêtres.
2. Ne tentez d'allumer aucun autre appareil.
3. Ne touchez pas aux interrupteurs électriques et n'utilisez aucun téléphone dans votre édifice.
4. Appelez immédiatement votre compagnie de gaz depuis le téléphone d'un voisin. Suivez les instructions de la compagnie de gaz. Si vous ne pouvez pas contacter votre compagnie de gaz, appelez les pompiers.

POUR VOTRE SÉCURITÉ

L'utilisation et le stockage d'essence ou d'autres vapeurs et liquides inflammables dans des récipients ouverts à proximité de cet appareil sont dangereux.