



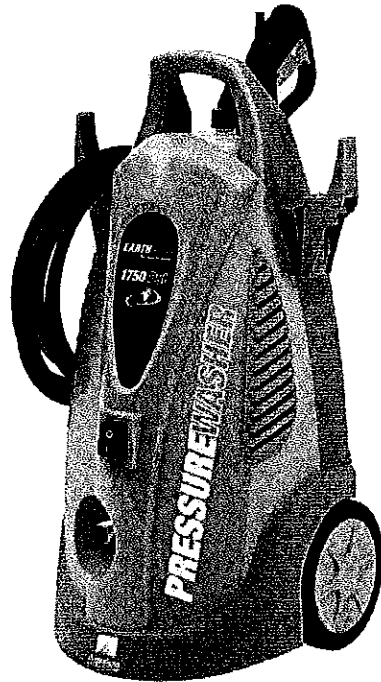
OPERATOR'S MANUAL

ELECTRIC PRESSURE WASHER

This product is covered by U.S. patents and other international patents

Copyright. All Rights Reserved.

Model PW01750



FEATURES

- | | |
|--|-------------------------------|
| Max. Pressure 1750 PSI | - Auto stop function |
| Rated Pressure 1350 PSI | - UL plug with GFCI |
| Inlet Pressure Range . . 40 PSI – 70 PSI | - 1.6 GPM |
| Supply Power 110-120 V/60 Hz | - 35 ft. Electric Cord Length |
| Electrical Requirements 13 Amp | - Plastic Spray Gun |
| Weight 30 lbs. | - Built-In Soap Bottle |
| Hose Length 25 ft. | |

Maximum Pressure Ratings determined in accordance with PWMA. Standard PW101

Your pressure washer has been engineered and manufactured to our high standard for dependability, ease of operation, and operator safety. Properly cared for, it will give you years of rugged, trouble-free performance.

WARNING: To reduce the risk of injury, the user must read and understand the operator's manual before using this product.

Thank you for your purchase.

**DO NOT RETURN THIS PRODUCT TO THE STORE. OPERATING, ASSEMBLY, PARTS, SERVICE QUESTIONS?
CALL 1-800-313-5111 BETWEEN 7:30AM- 4:30PM EST FOR ASSISTANCE.**

SAVE THIS MANUAL FOR FUTURE REFERENCE



IMPORTANT SAFETY WARNINGS



TO REDUCE RISK OF INJURY:

Before any use, be sure everyone using this product reads and understands all safety instructions and other information contained in this manual.

Read and save these instructions and review frequently prior to use and in instructing others.



CAUTION: Wear appropriate personal hearing protection during use. Under some conditions and duration of use, noise from this product may contribute to hearing loss.



WARNING: When using electric gardening appliances, basic safety precautions should always be followed to reduce risk of fire, electric shock, and/or personal injury.



WARNING: Some dust and debris created by the use of this tool could contain chemicals known to the State of California to cause cancer and birth defects or other reproductive harm. Some examples of these chemicals are:

- * chemicals in fertilizers
- * compounds in insecticides, herbicides and pesticides
- * arsenic and chromium from chemically treated lumber.

Your risk from exposure to these chemicals varies, depending on how often you do this type of work. To reduce your exposure, work in a well-ventilated area and with approved safety equipment, such as dust masks that are specially designed to filter out microscopic particles.



WARNING: The electrical cords on this product could contain chemicals known to the State of California to cause cancer and birth defects or reproductive harm. Wash hands after handling.
READ ALL INSTRUCTIONS

GENERAL SAFETY

AVOID DANGEROUS ENVIRONMENTS – Don't use this product in rainy, stormy, damp or wet locations. Do not operate in gaseous or explosive atmospheres. Motors in these products normally spark, and the sparks might ignite fumes.

KEEP CHILDREN AWAY – All visitors, children and pets should stay at a safe distance from the work area.

DRESS PROPERLY – Don't wear loose clothing or jewelry and wear protective hair covering to contain long hair. They can be caught in moving parts. Use of rubber gloves and substantial footwear is recommended when working outdoors.

USE SAFETY GLASSES – Wear safety glasses with side shields or goggles that are marked to comply with ANSI Z87.1 standard when operating this product. Use face or dust mask if environment is dusty.

GROUND FAULT CIRCUIT INTERRUPTER (GFCI) protection should be provided on the circuit (s) or outlet (s) to be used for this product if you are using an extension cord. The product's cord has a built in GFCI. Receptacles are available having built-in GFCI protection and may be used.

USE RIGHT APPLIANCE – Do not use this product for any job except that for which it is intended.

EXTENSION CORD. Make sure your extension cord is in good condition. Use only extension cords having an electrical rating not less than the rating of this product. An undersized extension cord will cause a drop in line voltage resulting in loss of power and overheating. Use only 3-wire extension cords that have 3-prong grounding type plugs and 3-pole cord connectors that accept the plug from this product.

Cable Length	Wire Gauge
Up to 25 ft.	12 AWG

It is possible to tie the extension cord and power cord in a knot to prevent them from becoming disconnected during use. Make the knot as shown, then connect the plug end of the power cord into the receptacle end of the extension cord. This method can also be used to tie two extension cords together.



WARNING: Use outdoor extension cords marked SW-A, SOW-A, STW-A, STOW-A, SJW-A, SJTW-A, or SJTOWA. These cords are rated for outdoor use and reduce the risk of electric shock.

DISCONNECT UNIT from the power supply when not in use or when servicing or cleaning. Do not leave unattended.

Outlets with a third prong ground are required. Do not use without grounded prong.

To avoid the risk of electric shock, the water spray must never be directed towards any electrical outlets or wiring or directly towards the pressure washer equipment itself.

Know how to stop the equipment and bleed pressures quickly. Be thoroughly familiar with the controls.

Never tie knots or kink the high pressure hose as damage could result.



CAUTION: Use clean water and neutral detergent only. Do not use acids or solvents as they may cause injuries to the operator and irreversible damage to the equipment.



GROUNDING: This product must be grounded. If it should malfunction or breaks down, grounding provides a path of least resistance for electric current to reduce the risk of electric shock. This product is equipped with a cord having an equipment-grounding conductor and a grounding plug. The plug must be plugged into an appropriate outlet that is properly installed and grounded in accordance with all local codes and ordinances.

To allow free air circulation, the pressure washer should NOT be covered during operation.

DON'T ABUSE CORD – Never carry this product by the cord or yank the cord to disconnect from the receptacle. Keep cord from heat, oil, and sharp edges.

AVOID UNINTENTIONAL STARTING – Don't carry the pressure washer plugged in with your finger on the switch. Be sure the switch is off when plugging in.



DANGER: Keep hands away from nozzle or water spray. Always use both hands when operating pressure washer to maintain complete control of the wand.

Never direct the water spray directly toward yourself or others in order to clean clothes, foot-wear or for any other reason.

STAY ALERT – Watch what you are doing. Use common sense. Do not operate the pressure washer when you are re tired or under the influence of drugs or medication.

STORE IDLE UNIT INDOORS – When not in use, the product should be stored indoors in a dry and high or locked-up place, out of children's reach.

MAINTAIN UNIT WITH CARE – Keep clean for best performance and to reduce the risk of injury. Inspect extension cord periodically and replace if damaged. Keep handles dry, clean and free from oil and grease.

CHECK FOR DAMAGED PARTS – Before further use of the product, any part that is damaged should be carefully checked to determine that it will operate properly and perform its intended function. Check for alignment of moving parts, binding of moving parts, breakage of parts, mounting and any other condition that may affect its operation. Any part that is damaged should be properly repaired or replaced. Call our customer service help line at 1- 800- 313- 5111 for assistance.

LIGHTING - Only operate your pressure washer in daylight or good artificial light.

DON'T OVERREACH – Keep proper footing and balance at all times.



POLARIZED PLUGS – To reduce the risk of electric shock, this product has a polarized plug (one blade is wider than the other). This product must be used with a suitable polarized 3-wire extension cord. Polarized connections will fit together only one way. Make sure that the receptacle end of the extension cord has large and small blade slot widths. If the plug does not fit fully into the extension cord, reverse the plug. If it still does not fit, obtain a suitable extension cord. If the extension cord does not fit fully into the outlet, contact a qualified electrician to install the proper outlet. Do not change the tool plug or extension cord in any way.

The pressure washer must be in an upright position when in use.

Do not touch the plug or outlet with wet hands.

Disconnect from the electrical power supply prior to detaching the high pressure hose.

Do not operate or store this product in temperatures below freezing. Freeze damage is not covered by the warranty.

OPERATING

This pressure washer is equipped with a stop device which will sense when the trigger of the gun is released causing the pressure washer to stop.



WARNING: If the pressure washer fails to stop when the trigger of the gun is released, **DO NOT USE THE PRESSURE WASHER.** Call our customer service help line at 1-800-313-5111 for assistance.

This pressure washer is also equipped with a thermal safety switch that will automatically shut off the motor in the event the motor overheats. Should that occur, the switch will reset itself and you can resume normal operation after the motor has cooled down.



WARNING: To reduce the risk of electrocution, keep all connections dry and off the ground. Do not touch plug with wet hands.



WARNING: Test GFCI before each use. **DO NOT** use pressure washer if following test fails.

GFCI Test Procedures:

- Plug GFCI into power receptacle. Indicator light should be illuminated.
- Press Test button. Light should turn off.
- Press Reset button for use. Indicator light should be illuminated.

DO NOT USE if above test fails and call our customer service help line at 1-800-313-5111 for assistance.

NOTE: The GFCI must be reset each time the pressure washer is connected to an electrical outlet. Reset by simply pushing the reset button on the GFCI power plug.

WINTERIZING AND LONG-TERM STORAGE

- Run the pressure washer in low pressure until all of the soap is drained from the detergent tank.
- Pour clear water into the tank and run it through on low pressure as though it were detergent.
- Disconnect all water connections.
- Turn on the machine for a few seconds to expel any water remaining in the pump and turn off immediately.
- Do not allow the high pressure hose to become kinked.
- Store the equipment and accessories in an area where they will not freeze.

Do not store near a furnace or other source of heat as it may dry out the pump seals.

If an extension cord is used, the plug and socket must remain away from all water and moisture.

The narrow pinpoint stream is very powerful. It is not recommended for use on painted surfaces, wood surfaces or items attached with an adhesive backing.

The optimum angle for spraying water against a cleaning surface is 45 degrees.

To minimize the amount of water getting into the pressure washer, the unit should be placed as far as possible from the cleaning site during operation.

QUICK START GUIDE

* Carefully remove the pressure washer and all accessories from the carton.

* Inspect for damage and verify no parts are missing.

PARTS LIST:

Pressure Washer
Operator's Manual
Nozzle Cleaning Pin
Hose Quick Connect
Hang Hooks (2)
Gun Handle
Spray Lance
High Pressure Hose Assembly

NOTE: Any part that is damaged should be properly repaired or replaced. Call our customer service help line at 1-800-313-5111 for assistance.

* Install hang hook on each side.

* Remove plastic shipping cap from water outlet.

* Connect gun handle to the high pressure hose.

* Connect a garden hose to the water faucet. (Garden hose is not included.) **NOTE:** Do not turn on the water until after you have connected the Hose Connector to the Water Inlet Nut (Step 5)

Operating Instructions

1) Connect the high pressure hose to the water outlet at front of unit.

2) Insert spray lance into the gun handle. **NOTE:** Make sure it is locked into place. **WARNING:** If the attachment is not securely locked into place, it could be ejected when operating the gun under high pressure.

3) Connect the Hose Quick Connect to the male end of the garden hose.

4) Remove water inlet nut at the back of the washer and check the inlet water filter for debris or sediment. Clean before each use. Reconnect water inlet nut tightly after cleaning filter to prevent leaking.

5) Push the Hose Quick Connect firmly onto the Water Inlet Nut on the back of the machine.

6) Turn on the water supply

7) Plug GFCI into power receptacle. Firmly press and release the test button, then press and release the reset button, indicator light will be illuminated. Do not use if this test fails.

8) Squeeze and hold the trigger until water flow is steady, then release the trigger.

9) Turn on the pressure washer. Squeeze the trigger to start the motor. The motor only starts if the trigger of the gun is pulled and shuts off when the trigger is released. (If taking a break for longer than three (3) minutes, release the trigger and switch off the unit.)

10) Pull out spray lance for low pressure, push in for high pressure. Detergent will be dispensed on low pressure only.

After the job is completed, to disconnect the unit, turn off the water source and squeeze the trigger of the gun to release the water pressure. You may now disconnect the garden hose from the water inlet nut on the unit.



WARNING: Make sure to point the gun in a safe direction when starting the pressure washer. Serious injury could result if pointed at face, feet, animal or other people when starting pressure washer.



WARNING: Carefully read the operator's manual before using the pressure washer. Always store in a location where the temperature will not fall below freezing. Freeze damage is not covered by the warranty.



WARNING: When you are finished using the pressure washer, switch off the unit and unplug the cord from the electrical outlet.



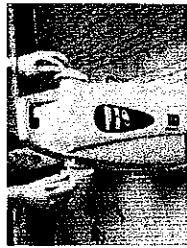
WARNING: Risk of shock. Do not touch the plug or outlet with wet hands.

Important Set Up And Operating Instructions

Basic Unit Set Up

Check to make sure all parts are included. See **QUICK START GUIDE** for parts listing.

1. Install Hang Hooks



Slide down Hang Hooks on each side of unit.
 **One hook holds the electric cord when not in use.
 **One hook holds the pressure hose when not in use.

2. Remove Cap



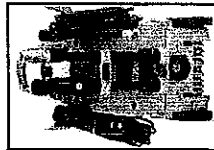
Remove the plastic cap from the front of the unit.

3. Connect Spray Gun to Pressure Hose



Connect gun handle to high pressure hose. Tighten firmly with adjustable wrench.

4. Store Spray Gun and Lance



Place Spray Gun and Spray Lance into the holders on the back of the unit.

Operating Instructions

1. Connect High Pressure Hose



Connect the high pressure hose to the water outlet at front of unit.
 Note: A small amount of light oil and water may be present in the machine outlet. This is normal.

2. Connect Spray Lance to Gun



Insert the spray lance into the gun handle. Making a ¼ turn to ensure lance is locked securely in place.

3. Attach Quick Connector to Hose



Attach the Hose Quick Connector to the male end of the garden hose.

4. Filter Cleaning



Filter located behind the rear Water Inlet Fitting should be removed and cleaned before each use.

5. Connect Hose to Unit



Firmly push the Hose Quick Connect onto the Water Inlet Fitting (located on back of unit) until you hear a **DOUBLE** click and connection is tight. (pull back the collar of the Quick Connect to allow for an easy connection.)

6. Turn on Water



Connect the garden hose to the water facet.
CAUTION: Do not turn on the water until after you have first attached the Hose Quick Connector to the unit.

7. Plug into Power Source



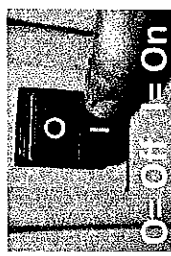
Plug GFCI into power receptacle. Firmly press and release the test button, then press and release the reset button. Indicator light will be illuminated. **DO NOT USE** if this test fails.

8. Release Trapped Air



Squeeze and hold the trigger until water flow is steady. This assures the air is released creating better pressure for operation.

9. Start Pressure Washer



Turn on the pressure washer. Squeeze the trigger to start the motor. The motor only starts if the trigger of the gun is pulled and shuts off when the trigger is released.

10. Spray Nozzle Detergent Use



Pull out spray lance nozzle firmly for low pressure. ****Detergent will be dispensed on Low Pressure Only. Push back into place to return to high pressure. **Rotate spray nozzle to control spray pattern.

Questions / Problems? DO NOT RETURN TO STORE

Please contact our Customer Service Department 1-800-313-5111 between 7:30 am-4:30 pm EST for assistance.

CLEANING TIPS

Detergent-what to use

- We recommend that you use a cleaner which is specifically designed for power washers.
- Never use bleach, ammonia or hot water in the unit.

General Cleaning Tips and Recommendations

- Pre-rinse surfaces to be cleaned with fresh water.
- Always use low pressure to apply detergent.
- Never allow the detergent to dry on the surface. If it appears that the detergent is drying before you are ready to rinse, simply wet down the area with fresh water.
- Before cleaning any surface an inconspicuous area should be cleaned to test spray pattern and distance for maximum cleaning results.
- If painted surfaces are peeling or chipping, use extreme caution as pressure washer may remove the loose paint from the surface.
- When cleaning surfaces which might come in contact with food, rinse surfaces with plenty of potable water.

Deck Cleaning

For best results, limit your work area to smaller sections of approximately 20-25 square feet. Rinse at high pressure in a long sweeping motion keeping the spray nozzle approximately 2-6 inches from the cleaning surface. Always clean from top to bottom and from left to right. When moving on to a new section of the cleaning surface, be sure to overlap the previous section to eliminate stop marks and ensure a more even cleaning result.

House Siding

For best results, limit your work area to sections of approximately 5-6 feet wide and always apply detergent from bottom to top. Rinse at high pressure from top to bottom in an even sweeping motion keeping the spray nozzle approximately 6 inches from the cleaning surface.

Cement Patios, Brick and Stone

For best results, limit your work area to smaller sections of approximately 20-25 square feet. If using detergent, allow the detergent to remain on the surface for 1-3 minutes. Rinse at high pressure in a sweeping motion keeping the spray nozzle approximately 2-6 inches from the cleaning surface. Always clean from top to bottom and from left to right.

Cars, Motorcycles & Boats

For best results, clean one side of vehicle at a time and always apply detergent from bottom to top. Do not allow detergent to dry on surface. If needed, use special wash brush attachment to remove stubborn dirt. Rinse at high pressure in a sweeping motion keeping the spray nozzle approximately 6-8 inches from the cleaning surface (increase the distance when rinsing sensitive surfaces or pin-striping). Always clean from top to bottom and from left to right. For best results, wipe surface dry with a chamois or soft dry cloth.

Outdoor Power Equipment, Gardening Tools & Grills

Allow detergent to remain on surface 1-3 minutes. Rinse at high pressure keeping the spray nozzle approximately 2-6 inches from the cleaning surface. For removing extremely stubborn dirt, it may be necessary to move the spray nozzle even closer to the surface for greater dirt cutting action.

Lawn Furniture

If needed use special Wash Brush Attachment to remove stubborn dirt. Rinse at high pressure in a sweeping motion keeping the spray nozzle approximately 3-6 inches from the cleaning surface. For best result, clean from top to bottom and from left to right.

Emptying soap dispenser

Run water through soap dispenser using gun to empty dispenser.

MAINTENANCE

If you drop the washer, carefully inspect it for damage. If you see any condition that may affect the washer's operation, call our customer service help line at 1-800-313-5111 for assistance.



CAUTION: Do not at any time let brake fluids, gasoline, petroleum-based products, penetrating oils, etc., come in contact with plastic parts. They contain chemicals that can damage, weaken or destroy plastic.

Fertilizers and other garden chemicals contain agents which greatly accelerate the corrosion of metals. Do not store the tool on or adjacent to fertilizers or chemicals



If the nozzle becomes clogged it will cause the pump pressure to increase and possibly distort the spray pattern. Clean the nozzle immediately if this should happen.
Separate the spray lance from the gun handle.
Clear the nozzle with the nozzle cleaning pin.
Flush the nozzle with water.

Reconnect the spray lance to the gun handle and restart the pressure washer. If the nozzle is still clogged, repeat the above steps.

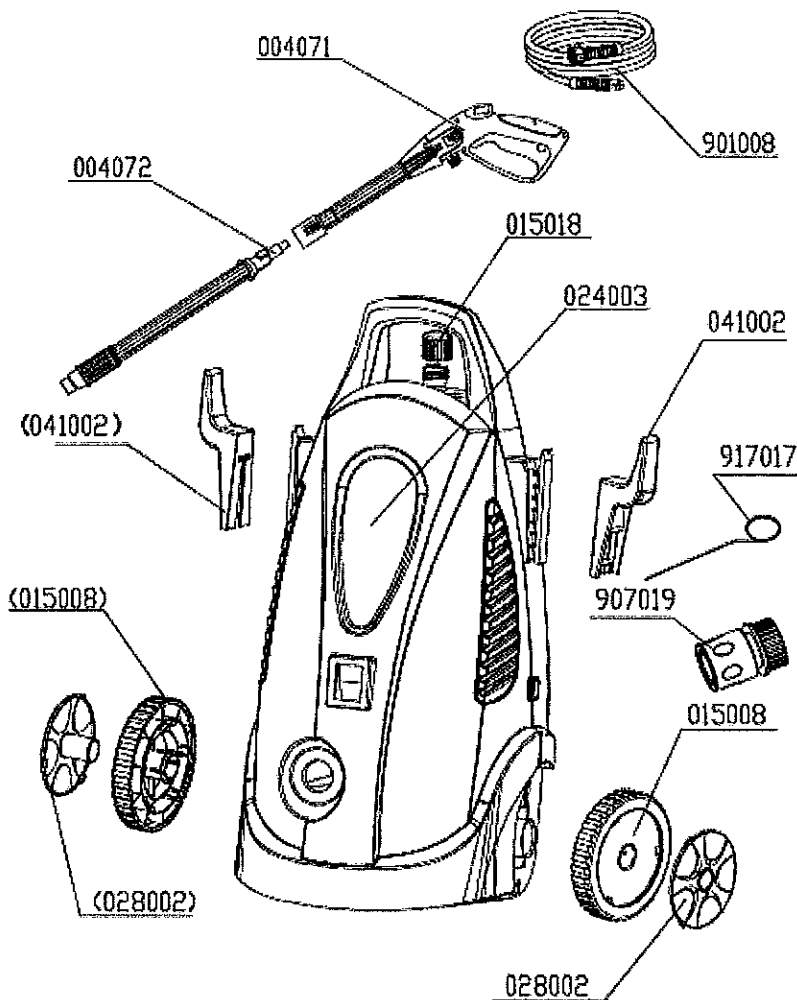


CAUTION: Use the nozzle cleaning pin only with the spray lance disconnected from the gun handle. Failure to heed this warning could result in serious injury.

IMPORTANT: To assure product SAFETY and RELIABILITY, repairs, maintenance and adjustment should be performed by a qualified individual using identical replacement parts.

CALL US FIRST !!

Call us first with questions about operating or maintaining your pressure washer at 1-800-313-5111 between 7:30 a.m. - 4:30 p.m. Eastern Standard Time, or send emails to earthwise@reelin.com.



PARTS LIST

Part no.	Description
917017	Nozzle Cleaning Pin
907019	Hose Quick Connect
004071	Gun Handle
004072	Spray Lance
015018	Cap for Soap Dispenser
901008	High Pressure Hose Assembly
041002	Hang Hook
015008	Wheel
028002	Wheel Cover
024003	Mainframe Assembly

TROUBLESHOOTING

Problem	Possible Cause	Possible Solution
Motor will not start	<ul style="list-style-type: none"> - The switch is in the OFF position - Power cord not plugged in - Electrical outlet does not supply adequate power - The trigger of the water gun is not engaged 	<ul style="list-style-type: none"> - Turn switch ON - Plug in the power cord - Try another outlet - Engage the trigger of the water gun
Motor stops suddenly	<ul style="list-style-type: none"> - Thermal safety switch has tripped due to overheating 	<ul style="list-style-type: none"> - Check that the main voltage corresponds to specifications
Unit does not reach high pressure	<ul style="list-style-type: none"> - Water inlet filter is clogged - Not enough inlet water supply - Water supply is restricted - Pump is sucking air from connections or hoses - Valves are clogged or worn out 	<ul style="list-style-type: none"> - Clean the water inlet filter - Open water source full force - Check garden hose for kinks - Check that all supply connections are tight - Call our customer service help line at 1-800-313-5111 for assistance
Outlet pressure fluctuates	<ul style="list-style-type: none"> - Pump is sucking air - Water inlet filter is clogged - Not enough water inlet supply - Valves dirty, worn out, or stuck - Pump seals are worn out 	<ul style="list-style-type: none"> - Check that hoses and connections are air tight. Turn off the machine and purge pump by triggering the gun until you get a steady flow of water. - Clean the water inlet filter - Open water source full force. - Call our customer service help line at 1-800-313-5111 for assistance
Water leaking from pump	<ul style="list-style-type: none"> - Pump seals are worn out 	<ul style="list-style-type: none"> - Call our customer service help line at 1-800-313-5111 for assistance
Detergent is not dispensing	<ul style="list-style-type: none"> -The spray lance is in high pressure mode,detergent will be dispensed on low pressure only. -Nozzle is clogged with debris. 	<ul style="list-style-type: none"> -Pull out on spray lance for low pressure. -Disconnect the spray lance from the gun handle, clean with the nozzle cleaning pin and flush with water.
Low pressure	<ul style="list-style-type: none"> Faucet not fully open or unit is not receiving a full volume of water. 	<ul style="list-style-type: none"> -Open the faucet all the way. -Check garden hose for kinks. -Clean the inlet filter.
Unit will not stop when trigger is released.	<ul style="list-style-type: none"> Gun is malfunctioning. 	<ul style="list-style-type: none"> Call customer service help line at 1-800-313-5111 for assistance.

WARRANTY

LIMITED WARRANTY FOR PRESSURE WASHERS

This product is manufactured for The Great States Corporation/ American Lawn Mower Company. The Great States Corporation/ American Lawn Mower Company, Shelbyville, Indiana, has been making lawn mowers for over 100 years and it warrants to the original owner that each new product and service part is free from defects in material and workmanship and agrees to repair or replace under this warranty any defective product or part from the original date of purchase for one (1) year except for the conditions and circumstances listed below. Proof of purchase (original dated sales receipt) must accompany all warranty claims.

THIS WARRANTY IS NOT TRANSFERABLE AND DOES NOT COVER:

Products sold damaged or incomplete, sold "as is", sold reconditioned, or used as rental equipment.

Delivery, installation, or normal adjustments explained in the operator's manual.

Damage or liability caused by shipping, improper handling, improper installation, incorrect voltage or improper wiring, improper maintenance, improper modification, or the use of accessories and/or attachments not specifically recommended.

Repairs necessary because of operator abuse or negligence, or the failure to install, operate, maintain, or store the product according to the instructions in the operator's manual.

Damage caused by cold, heat, rain, excessive humidity, corrosive environments and materials, or other contaminants.

Expendable items that become worn during normal use.

Cosmetic defects that do not interfere with tool functionality.

Freight costs from customer to vendor.

Repair and transportation costs of products or parts determined not to be defective.

ANY INCIDENTAL, INDIRECT, OR CONSEQUENTIAL LOSS, DAMAGE, OR EXPENSE THAT MAY RESULT FROM ANY DEFECT, FAILURE, OR MALFUNCTION OF THE PRODUCT. Some states do not allow the exclusion or limitation on how long an implied warranty lasts, so the above limitations may not apply to you.

ANY NON-RESIDENTIAL USE OR COMMERCIAL USE VOIDS ALL WARRANTIES.



830 Webster Street
Shelbyville, IN 46176
Phone 1-800-313-5111
www.reelin.com/earthwise

In a continued commitment to improve quality, the Manufacturer reserves the right to make component changes or design changes when necessary.