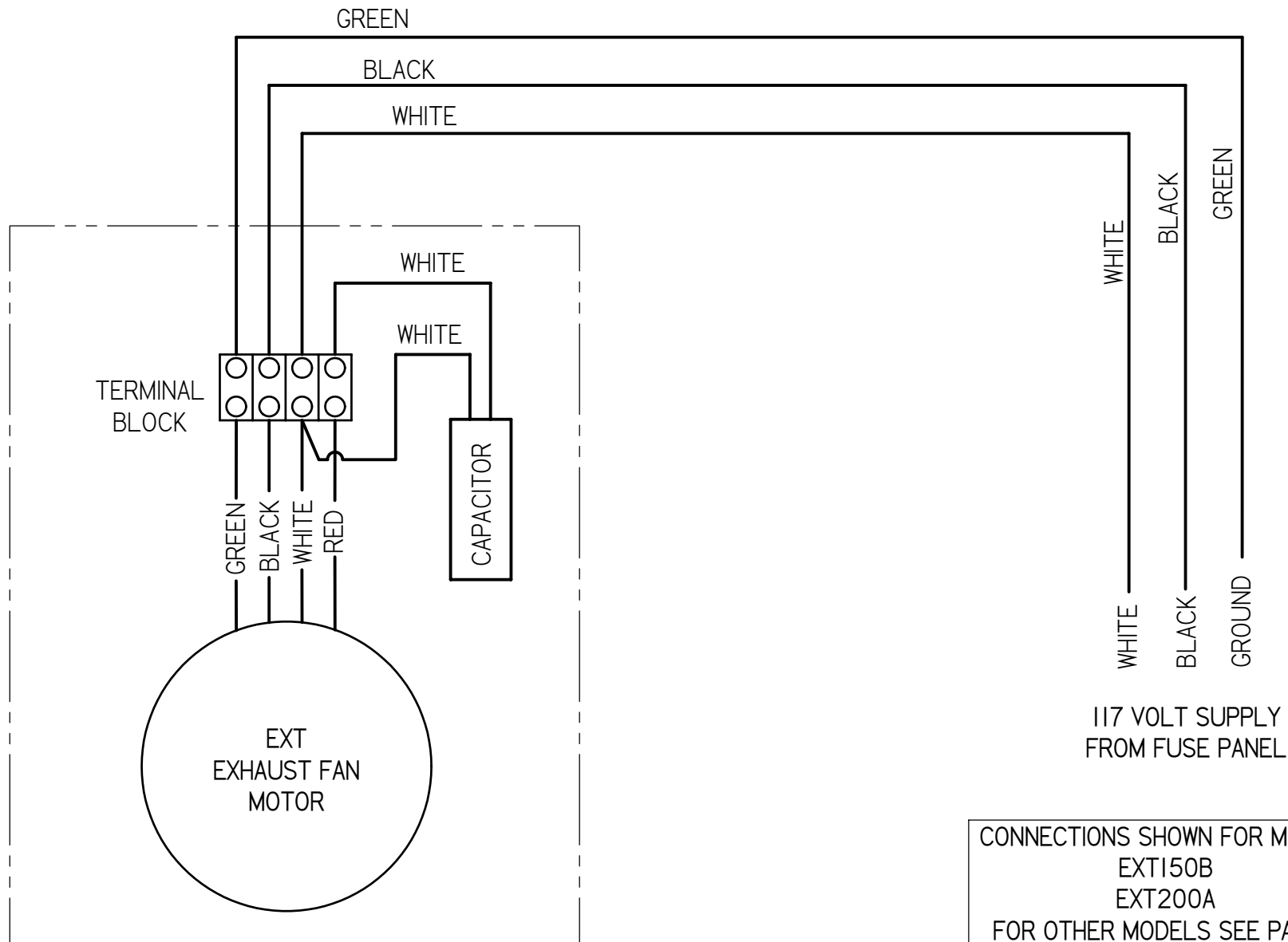


CONNECTIONS SHOWN FOR MODELS
 EXT100A
 EXT100B
 EXT150A
 EXT200B
 FOR OTHER MODELS SEE PAGE 2

DIMENSIONS SUBJECT TO CHANGE WITHOUT NOTICE.
 DRAWING NOT TO BE USED FOR CONSTRUCTION.

		CFM Better Airflow By Design	
		ELECTRICAL CONNECTION LAYOUT	
		MODEL EXT LESS ACCESSORIES	
REV	DATE	BY	J. E. EVANS 23 JULY 2012 A-103,302 Page 1 of 2



CONNECTIONS SHOWN FOR MODELS
 EXT150B
 EXT200A
 FOR OTHER MODELS SEE PAGE 1

DIMENSIONS SUBJECT TO CHANGE WITHOUT NOTICE.
 DRAWING NOT TO BE USED FOR CONSTRUCTION.

		CFM Better Airflow By Design	
		ELECTRICAL CONNECTION LAYOUT	
		MODEL EXT LESS ACCESSORIES	
REV	DATE	BY	J. E. EVANS 23 JULY 2012 A-103,302 Page 2 of 2