

EGHB

Heavy Duty, Suspended,
Electric Unit Heater

For commercial and industrial use

Model EGHB is designed for areas requiring a high level of air flow. This unit heater may be mounted horizontally (wall or ceiling) using supplied brackets or vertically using 4 threaded rods (not included).

A variety of control options are available in kits or may be factory installed.



showroom

Application
warehouse

stairwell

factory

Features

- Color** – Standard: almond.
- Finish** – Standard: epoxy/polyester powder paint.
- Voltage** – 208V, 240V, 277V, 347V, 480V, 600V, 1 or 3-phase.
– Some units may be converted from 3 to 1-phase.
- Construction** – 18 and 20-gauge steel.
– Adjustable louvers to direct air flow.
– High-limit temperature control with automatic reset.
- Fan** – Motor mounted in cold compartment.
– Thermally-protected motor.
– Totally enclosed and factory-lubricated ball bearing motor (except for 15 to 25 kW at 208V/240V).
– 58 dBA fan (2–10 kW), 67 dBA fan (15–30 kW) and 77 dBA fan (40–60 kW).
– Fan delay purges heater of residual heat.
(Any remote thermostat or relay must be connected to the heater control terminal block.)
- Heating element** – Durable tubular heating elements; stainless steel (2–10 kW); finned (15–60 kW).
– Concentric disposition of heating elements.

Features

Text

– Text

Comments

Control

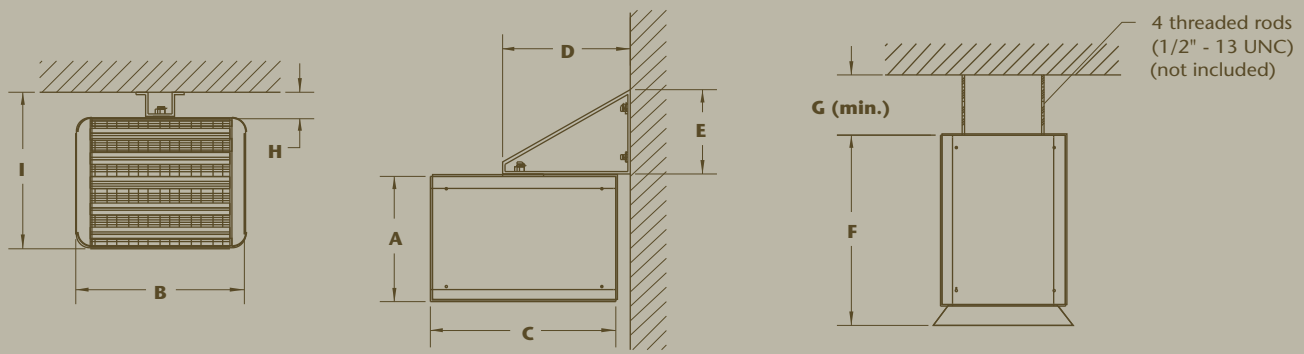
- All models have a factory-installed contactor.
- 208V/240V control circuit standard (with transformer if necessary).
- 24V relay, with or without transformer available.
- Built-in thermostat available.
- 120V control circuit available.
For greater comfort, it is highly recommended that a wall mounted thermostat be used.

Installation

- Horizontal wall or ceiling mounting using 1 of 2 supplied brackets which allow 360° rotation*.
- Vertical mounting using 4 threaded rods 1/2 in. X 13 UNC (not included).
- Diffuser cones available.
- Large and easily accessible control compartment.
- Maximum recommended height (horizontal):
2–10 kW: 8 ft. (2.4 m);
15–30 kW: 10 ft. (3 m);
40–60 kW: 15 ft. (4.5 m).
- Protective screen allows lower mounting height (except 40–60 kW).
- Minimum height of 8 ft. (2.4 m) for 40–60 kW heaters.
- 85 °F maximum operating temperature.
- 1-year warranty against defects.

Warranty

*Horizontal mounting only for 40, 50 and 60kw secured by 4 hooks (ceiling only).



Dimension	2-10 kW		15-30 kW		40-60 kW	
	mm	in.	mm	in.	mm	in.
A	305	12	444	17 1/2	585	23
B	419	16 1/2	556	21 7/8	641	25 1/4
C	432	17	572	22 1/2	870	34 1/4
D	357	14 1/16	470	18 1/2	■	■
E	290	11 7/16	407	16	■	■
F	490	19 5/16	630	24 13/16	924	36 3/8
G	305	12	305	12	305	12
H	123	4 7/8	148	5 13/16	305	12
I	428	16 7/8	572	23 5/16	890	35

EGHB	Forced Air, Heavy Duty Electric Unit Heater	Size kW	Size												
			2	3	4	5	7	10	15	20	25	30	40	50	60
			2	3	4	5	7.5	10	15	20	25	30	40	50	60
			cfm	510	510	510	700	700	700	1350	1350	1350	1350	2000	2000
Shipping Weight (lbs)			45	45	45	45	45	45	85	85	85	85	150	150	150

Factory Installed Options

Size		2	3	4	5	7	10	15	20	25	30	40	50	60	
Supply Voltage/Phase	208/1	AK2	✓	✓	✓	■	■	✓	✓	✓	✓	■	■	■	■
	208/3	AK5	✓	✓	✓	■	■	✓	✓	✓	✓	■	■	■	■
	208/3-1 ^A	AK15	■	■	■	✓	✓	■	■	■	■	■	■	■	■
	240/1	AK3E	☆	✓	✓	■	■	■	✓	✓	✓	■	■	■	■
	240/3	AK6E	☆	✓	✓	■	■	■	✓	✓	✓	■	■	■	■
	240/3-1 ^A	AK16	■	■	■	✓	✓	✓	■	■	■	■	■	■	■
	277/1	AK4	✓	✓	✓	✓	✓	✓	■	■	■	■	■	■	■
	347/1	AK34	✓	✓	✓	✓	✓	✓	■	■	■	■	■	■	■
	480/1	AK9E	✓	✓	✓	✓	✓	✓	✓	✓	✓	■	■	■	■
	480/3	AK7E	✓	✓	✓	✓	✓	✓	✓	✓	✓	✓	✓	✓	✓
600/3	AK8E	✓	✓	✓	✓	✓	✓	✓	✓	✓	✓	✓	✓	✓	
Triple Pole Contactor (3 ph only) ^B	AN6	✓	✓	✓	✓	✓	✓	✓	✓	✓	✓	✓	✓	✓	
Disconnect Switch	40A	BA14	✓	✓	✓	✓	✓	✓	✓	✓	✓	✓	■	■	
	80A	BA15	✓	✓	✓	✓	✓	✓	✓	✓	✓	✓	✓	✓	
	100A	BA16	✓	✓	✓	✓	✓	✓	✓	✓	✓	✓	✓	✓	
Branch Circuit Fusing	BA12	✓	✓	✓	✓	✓	✓	✓	✓	✓	✓	✓	✓	✓	
Unit Mounted Summer Fan Switch	BF4A	✓	✓	✓	✓	✓	✓	✓	✓	✓	✓	✓	✓	✓	
Control Voltages	208V, 240V, 277V	STD	✓	✓	✓	✓	✓	✓	✓	✓	✓	✓	✓	✓	
	24V relay with transformer ^F	BT1	✓	✓	✓	✓	✓	✓	✓	✓	✓	✓	✓	✓	
	120V contactor with transformer	BT2	✓	✓	✓	✓	✓	✓	✓	✓	✓	✓	✓	✓	
Manual High Limit	BD6	✓	✓	✓	✓	✓	✓	✓	✓	✓	✓	✓	✓	✓	
Internal Thermostat	IC11	✓	✓	✓	✓	✓	✓	✓	✓	✓	✓	✓	✓	✓	
Size		2	3	4	5	7	10	15	20	25	30	40	50	60	

^A Units are field convertible from 3 to 1-phase.

^B 2-pole contactor is standard with single and 3-phase units. 3-pole contactor may be required by some codes for 3-phase.

^D 208V/240V fan motors are standard on higher voltage units. Units up to 30A have 2-pole contactor as standard equipment, units that draw more than 30A have a 3-pole contactor as standard.

^F For single or multiple unit control.



Heavy Duty, Suspended,
Electric Unit Heater

Field Installed Options (Shipped Separately)

Size			2	3	4	5	7	10	15	20	25	30	40	50	60
24V Relay Kit ^G	Without transformer	IR24	✓	✓	✓	✓	✓	✓	✓	✓	✓	✓	✓	✓	✓
	240V transformer ^H	IR2B	✓	✓	✓	✓	✓	✓	✓	✓	✓	✓	✓	✓	✓
Unit Mounted Thermostat Kit ^K		IT13	✓	✓	✓	✓	✓	✓	✓	✓	✓	✓	✓	✓	✓
Wall Mounted Thermostat	Single-pole, low-voltage thermostat ^L	CL1A	✓	✓	✓	✓	✓	✓	✓	✓	✓	✓	✓	✓	✓
	Single-pole, single stage thermostat	CL5	✓	✓	✓	✓	✓	✓	✓	✓	✓	✓	✓	✓	✓
Vertical Cone Diffuser		CD70	✓	✓	✓	✓	✓	✓	✓	✓	✓	✓	✓	✓	✓
Size			2	3	4	5	7	10	15	20	25	30	40	50	60

^G IR24: 24V signal by others (multiple units per thermostat). IR2B: For 24V thermostat on each unit.

^H All heaters have a 240V control circuit unless otherwise specified.

^K Field installed. Same thermostat as option IC11.

^L CL1A thermostat requires option BT1.