

# EGHB

Heavy Duty, Suspended,  
Electric Unit Heater

## For commercial and industrial use

Model EGHB is designed for areas requiring a high level of air flow. This unit heater may be mounted horizontally (wall or ceiling) using supplied brackets or vertically using 4 threaded rods (not included).

A variety of control options are available in kits or may be factory installed.



showroom

Application  
warehouse

stairwell

factory

## Features

- Color** – Standard: almond.
- Finish** – Standard: epoxy/polyester powder paint.
- Voltage** – 208V, 240V, 277V, 347V, 480V, 600V, 1 or 3-phase.  
– Some units may be converted from 3 to 1-phase.
- Construction** – 18 and 20-gauge steel.  
– Adjustable louvers to direct air flow.  
– High-limit temperature control with automatic reset.
- Fan** – Motor mounted in cold compartment.  
– Thermally-protected motor.  
– Totally enclosed and factory-lubricated ball bearing motor (except for 15 to 25 kW at 208V/240V).  
– 58 dBA fan (2–10 kW), 67 dBA fan (15–30 kW) and 77 dBA fan (40–60 kW).  
– Fan delay purges heater of residual heat.  
*(Any remote thermostat or relay must be connected to the heater control terminal block.)*
- Heating element** – Durable tubular heating elements; stainless steel (2–10 kW); finned (15–60 kW).  
– Concentric disposition of heating elements.

## Features

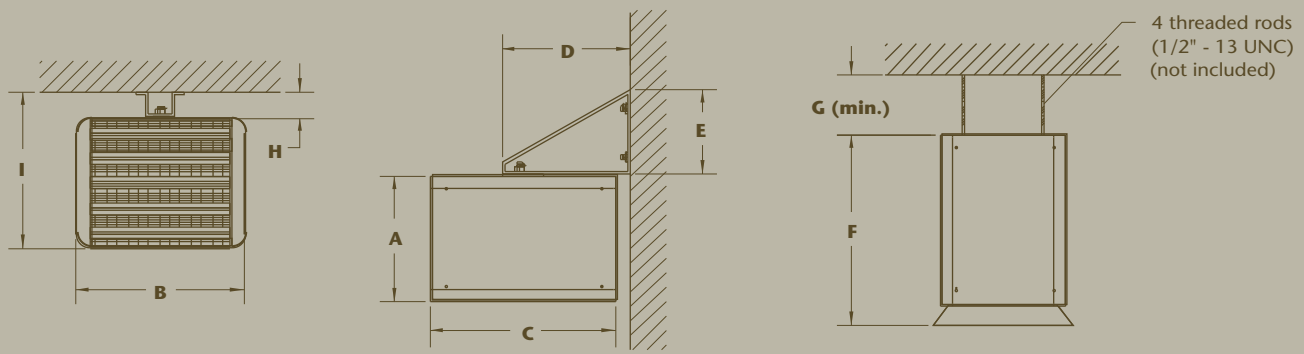
Text

– Text

Comments

- Control** – All models have a factory-installed contactor.  
– 208V/240V control circuit standard (with transformer if necessary).  
– 24V relay, with or without transformer available.  
– Built-in thermostat available.  
– 120V control circuit available.  
*For greater comfort, it is highly recommended that a wall mounted thermostat be used.*
- Installation** – Horizontal wall or ceiling mounting using 1 of 2 supplied brackets which allow 360° rotation\*.  
– Vertical mounting using 4 threaded rods 1/2 in. X 13 UNC (not included).  
– Diffuser cones available.  
– Large and easily accessible control compartment.  
– Maximum recommended height (horizontal):  
2–10 kW: 8 ft. (2.4 m);  
15–30 kW: 10 ft. (3 m);  
40–60 kW: 15 ft. (4.5 m).  
– Protective screen allows lower mounting height (except 40–60 kW).  
– Minimum height of 8 ft. (2.4 m) for 40–60 kW heaters.  
– 85 °F maximum operating temperature.
- Warranty** – 1-year warranty against defects.

\*Horizontal mounting only for 40, 50 and 60kw secured by 4 hooks (ceiling only).



Dimension	2-10 kW		15-30 kW		40-60 kW	
	mm	in.	mm	in.	mm	in.
A	305	12	444	17 1/2	585	23
B	419	16 1/2	556	21 7/8	641	25 1/4
C	432	17	572	22 1/2	870	34 1/4
D	357	14 1/16	470	18 1/2	■	■
E	290	11 7/16	407	16	■	■
F	490	19 5/16	630	24 13/16	924	36 3/8
G	305	12	305	12	305	12
H	123	4 7/8	148	5 13/16	305	12
I	428	16 7/8	572	23 5/16	890	35

EGHB	Forced Air, Heavy Duty Electric Unit Heater	Size kW	Size												
			2	3	4	5	7	10	15	20	25	30	40	50	60
			2	3	4	5	7.5	10	15	20	25	30	40	50	60
			cfm	510	510	510	700	700	700	1350	1350	1350	1350	2000	2000
	Shipping Weight (lbs)		45	45	45	45	45	45	85	85	85	85	150	150	150

### Factory Installed Options

Size		2	3	4	5	7	10	15	20	25	30	40	50	60	
Supply Voltage/Phase	208/1	AK2	✓	✓	✓	■	■	✓	✓	✓	✓	■	■	■	■
	208/3	AK5	✓	✓	✓	■	■	✓	✓	✓	✓	■	■	■	■
	208/3-1 <sup>A</sup>	AK15	■	■	■	✓	✓	■	■	■	■	■	■	■	■
	240/1	AK3E	☆	✓	✓	■	■	■	✓	✓	✓	■	■	■	■
	240/3	AK6E	☆	✓	✓	■	■	■	✓	✓	✓	■	■	■	■
	240/3-1 <sup>A</sup>	AK16	■	■	■	✓	✓	✓	■	■	■	■	■	■	■
	277/1	AK4	✓	✓	✓	✓	✓	✓	■	■	■	■	■	■	■
	347/1	AK34	✓	✓	✓	✓	✓	✓	■	■	■	■	■	■	■
	480/1	AK9E	✓	✓	✓	✓	✓	✓	✓	✓	✓	■	■	■	■
	480/3	AK7E	✓	✓	✓	✓	✓	✓	✓	✓	✓	✓	✓	✓	✓
600/3	AK8E	✓	✓	✓	✓	✓	✓	✓	✓	✓	✓	✓	✓	✓	
Triple Pole Contactor (3 ph only) <sup>B</sup>	AN6	✓	✓	✓	✓	✓	✓	✓	✓	✓	✓	✓	✓	✓	
Disconnect Switch	40A	BA14	✓	✓	✓	✓	✓	✓	✓	✓	✓	✓	■	■	
	80A	BA15	✓	✓	✓	✓	✓	✓	✓	✓	✓	✓	✓	✓	
	100A	BA16	✓	✓	✓	✓	✓	✓	✓	✓	✓	✓	✓	✓	
Branch Circuit Fusing	BA12	✓	✓	✓	✓	✓	✓	✓	✓	✓	✓	✓	✓	✓	
Unit Mounted Summer Fan Switch	BF4A	✓	✓	✓	✓	✓	✓	✓	✓	✓	✓	✓	✓	✓	
Control Voltages	208V, 240V, 277V	STD	✓	✓	✓	✓	✓	✓	✓	✓	✓	✓	✓	✓	
	24V relay with transformer <sup>F</sup>	BT1	✓	✓	✓	✓	✓	✓	✓	✓	✓	✓	✓	✓	
	120V contactor with transformer	BT2	✓	✓	✓	✓	✓	✓	✓	✓	✓	✓	✓	✓	
Manual High Limit	BD6	✓	✓	✓	✓	✓	✓	✓	✓	✓	✓	✓	✓	✓	
Internal Thermostat	IC11	✓	✓	✓	✓	✓	✓	✓	✓	✓	✓	✓	✓	✓	
Size		2	3	4	5	7	10	15	20	25	30	40	50	60	

<sup>A</sup> Units are field convertible from 3 to 1-phase.

<sup>B</sup> 2-pole contactor is standard with single and 3-phase units. 3-pole contactor may be required by some codes for 3-phase.

<sup>D</sup> 208V/240V fan motors are standard on higher voltage units. Units up to 30A have 2-pole contactor as standard equipment, units that draw more than 30A have a 3-pole contactor as standard.

<sup>F</sup> For single or multiple unit control.



Heavy Duty, Suspended,  
Electric Unit Heater

### Field Installed Options (Shipped Separately)

Size			2	3	4	5	7	10	15	20	25	30	40	50	60
24V Relay Kit <sup>G</sup>	Without transformer	IR24	✓	✓	✓	✓	✓	✓	✓	✓	✓	✓	✓	✓	✓
	240V transformer <sup>H</sup>	IR2B	✓	✓	✓	✓	✓	✓	✓	✓	✓	✓	✓	✓	✓
Unit Mounted Thermostat Kit <sup>K</sup>		IT13	✓	✓	✓	✓	✓	✓	✓	✓	✓	✓	✓	✓	✓
Wall Mounted Thermostat	Single-pole, low-voltage thermostat <sup>L</sup>	CL1A	✓	✓	✓	✓	✓	✓	✓	✓	✓	✓	✓	✓	✓
	Single-pole, single stage thermostat	CL5	✓	✓	✓	✓	✓	✓	✓	✓	✓	✓	✓	✓	✓
Vertical Cone Diffuser		CD70	✓	✓	✓	✓	✓	✓	✓	✓	✓	✓	✓	✓	✓
Size			2	3	4	5	7	10	15	20	25	30	40	50	60

<sup>G</sup> IR24: 24V signal by others (multiple units per thermostat). IR2B: For 24V thermostat on each unit.

<sup>H</sup> All heaters have a 240V control circuit unless otherwise specified.

<sup>K</sup> Field installed. Same thermostat as option IC11.

<sup>L</sup> CL1A thermostat requires option BT1.