

# REPLACEMENT PARTS FOR ELECTRIC HEATERS

## MODELS EBHB, ECR, ECS, EGEB, EGHB, EGP, EGW, EHA, EHC, EHL, EMC, EWHB, AND EXUB

### TABLE OF CONTENTS

#### FIGURES

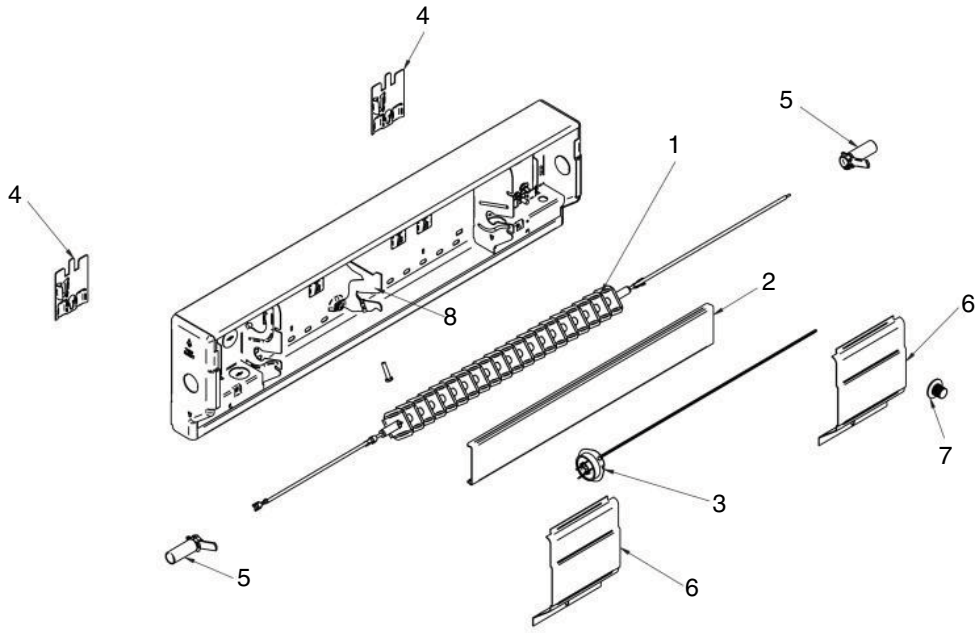
Figure 1.	Model EBHB—Electric Baseboard Heater (0.3 through 2.5-kW).....	2
Figure 2.	Model ECR—Ceiling, Recessed-Mounted, Electric Heater (2-, 3-, 4-, and 5-kW) .....	3
Figure 3.	Model ECS—Ceiling, Surface-Mounted, Electric Heater (2-, 3-, 4-, and 5-kW).....	4
Figure 4.	Model ECS—Ceiling, Surface-Mounted, Electric Heater (7- and 10-kW).....	4
Figure 5.	Model EGEB—Forced-Air, Standard-Duty Electric Unit Heater (2-, 3-, and 5-kW).....	6
Figure 6.	Model EGEB—Forced-Air, Standard-Duty Electric Unit Heater (7.5-, 9.9-, and 10-kW).....	7
Figure 7.	Model EGEB—Forced-Air, Standard-Duty Electric Unit Heater (15-, 19.8-, and 20-kW).....	8
Figure 8.	Model EGHB—Heavy-Duty Suspended Unit Heater (2- through 30-kW).....	9
Figure 9.	Model EGHB—Heavy-Duty Suspended Unit Heater (40-, 50-, and 60-kW).....	9
Figure 10.	Model EGP—Portable Construction Heater (4- and 4.8-kW).....	11
Figure 11.	Model EGW—Workshop, Suspended, Electric Unit Heater (2-, 3-, and 5-kW) .....	11
Figure 12.	Model EHA—Forced-Air, Architectural Wall Heater (1.5- through 12-kW).....	12
Figure 13.	Model EHC—Commercial, Wall-Mounted, Electric Heater (1- through 12-kW) .....	13
Figure 14.	Model EHL—Residential Wall Fan Heater (0.5- through 2-kW).....	14
Figure 15.	Model EMC—Wall- or Ceiling-Mounted, Electric Cabinet Heater (2- through 24-kW).....	15
Figure 16.	Model EWHB—Wash-Down Unit Heater (3- through 47-kW).....	17
Figure 17.	Model EXUB—Explosion-Resistant, Electric Unit Heater (5- through 30-kW).....	18

#### TABLES

Table 1.	Parts List for Model EBHB .....	2
Table 2.	Parts List for Models ECR and ECS .....	5
Table 3.	Parts List for Model EGEB (2-, 3-, and 5-kW).....	6
Table 4.	Parts List for Model EGEB (7.5-, 9.9-, and 10-kW).....	7
Table 5.	Parts List for Model EGEB (15-, 19.8-, and 20-kW).....	8
Table 6.	Fuses and Fuse Brackets for Model EGEB.....	8
Table 7.	Parts List for Model EGHB .....	10
Table 8.	Parts List for Model EHA .....	12
Table 9.	Parts List for Model EHC .....	13
Table 10.	Parts List for Model EHL .....	14
Table 11.	Fuses and Fuse Holders for Model EMC.....	15
Table 12.	Parts List for Model EMC.....	16
Table 13.	Parts List for Model EWHB (3- through 12-kW).....	17
Table 14.	Parts List for Model EWHB (12.5- through 47-kW).....	17
Table 15.	Parts List for Model EXUB.....	19

#### IMPORTANT

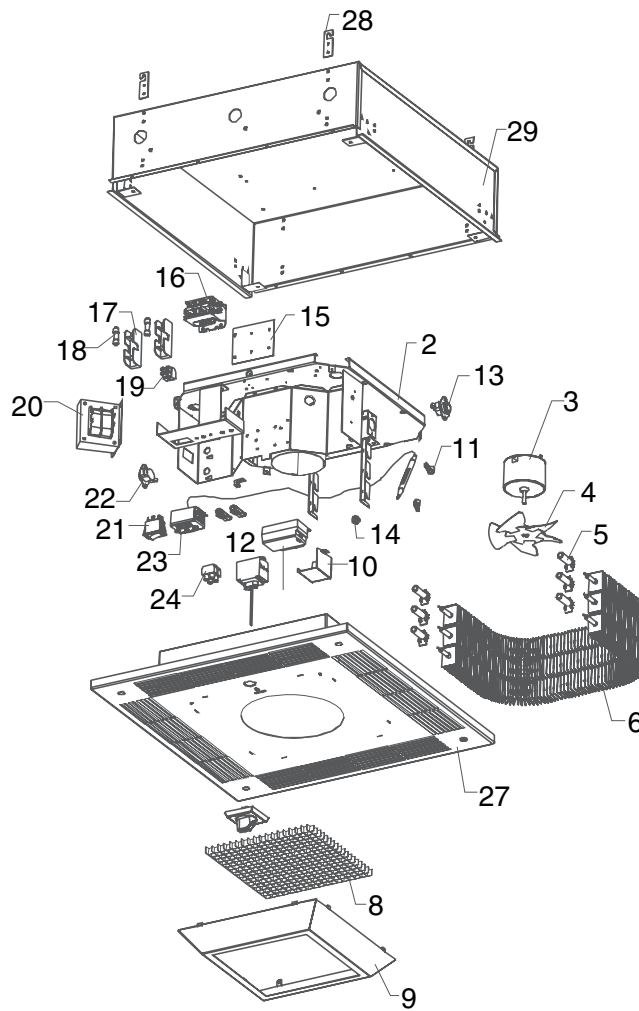
1. Always include complete heater model and serial number so that any specification change can be considered for parts replacement. It can save time and expense.
2. In keeping with our policy of continuous product improvement, we reserve the right to alter any information shown here. Specifications are subject to change without notice.
3. We reserve the right to substitute functional replacements.
4. Order by Part Number (PN) not by heater option designation.



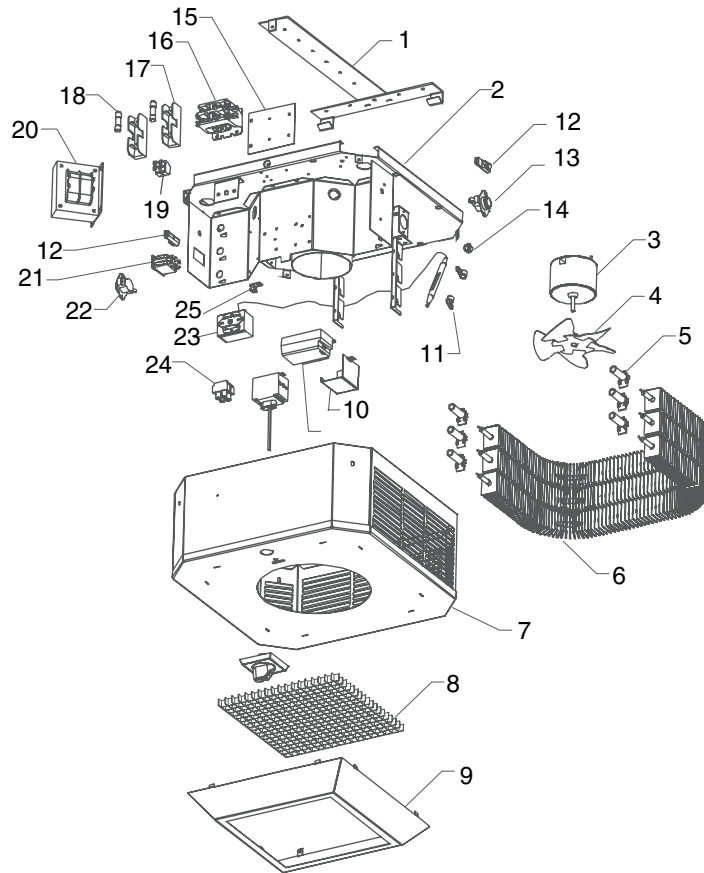
**Figure 1. Model EBHB—Electric Baseboard Heater (0.3- through 2.5-kW)**

<b>Table 1. Parts List for Model EBHB</b>						
<b>Item No.</b>	<b>Description</b>	<b>kW</b>				
		<b>0.3</b>	<b>0.5</b>	<b>0.75</b>	<b>1</b>	<b>1.25</b>
<b>PN</b>						
1	Heating element, 120V	1022027	1022028	1022029	1022030	1022031
	Heating element, 208V	1022032	1022033	1022034	1022035	1022036
	Heating element, 240V	1022037	1022038	1022039	1022040	1022041
	Heating element, 277V	—	1022042	1022043	1022044	1022045
2	Cover, front, almond*	2251005500DAM	2251005501DAM	2251005502DAM	2251005503DAM	2251005510DAM
	Cover, front, white*	2251005500DBL	2251005501DBL	2251005502DBL	2251005503DBL	2251005510DBL
3	High limit control, standard	1022051		1022052	1022053	1022054
	High limit control, high-altitude	1022055		1022056	1022057	1022058
<b>Item No.</b>	<b>Description</b>	<b>kW</b>				
		<b>1.5</b>	<b>1.75</b>	<b>2</b>	<b>2.25</b>	<b>2.5</b>
<b>PN</b>						
1	Heating element, 120V	1022059	—	—	—	—
	Heating element, 208V	1022060	1022061	1022062	1022063	1022064
	Heating element, 240V	1022065	1022066	1022067	1022068	1022069
	Heating element, 277V	1022070	1022071	1022072	1022073	1022074
2	Cover, front, almond*	2251005511DAM	2251005506DAM	2251005512DAM	2251005508DAM	2251005509DAM
	Cover, front, white*	2251005511DBL	2251005506DBL	2251005512DBL	2251005508DBL	2251005509DBL
3	Thermostat, standard	1022080	1022081	1022082	1022083	1022084
	Thermostat, high-altitude	1022085	1022086	1022087	1022088	1022089
<b>Item No.</b>	<b>Description</b>	<b>All Models</b>				
		<b>PN</b>				
4	Holder, wire	1022090				
5	Support, heating element	1022091				
6	Cover, junction box, without logo	1022092				
	Cover, junction box, with logo	1022093				
7	Control knob	1012134				
8	Bracket, central	234607				

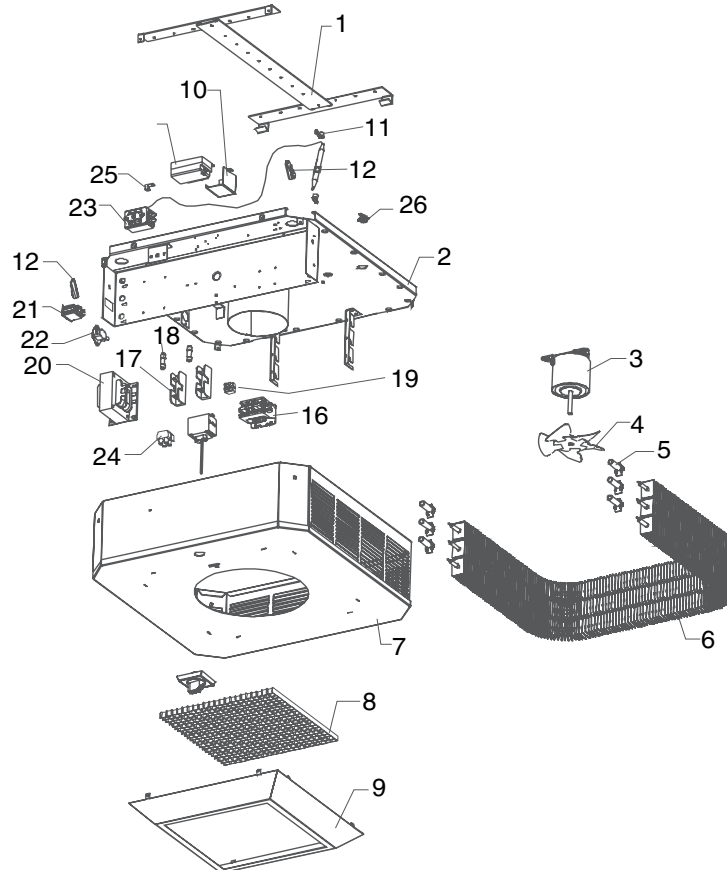
\*Also available in bronze, metallic charcoal and silver, semi-gloss black, sand, and aluminum. Contact factory representative for PN.



**Figure 2. Model ECR—Ceiling, Recessed-Mounted, Electric Heater (2-, 3-, 4-, and 5-kW)**



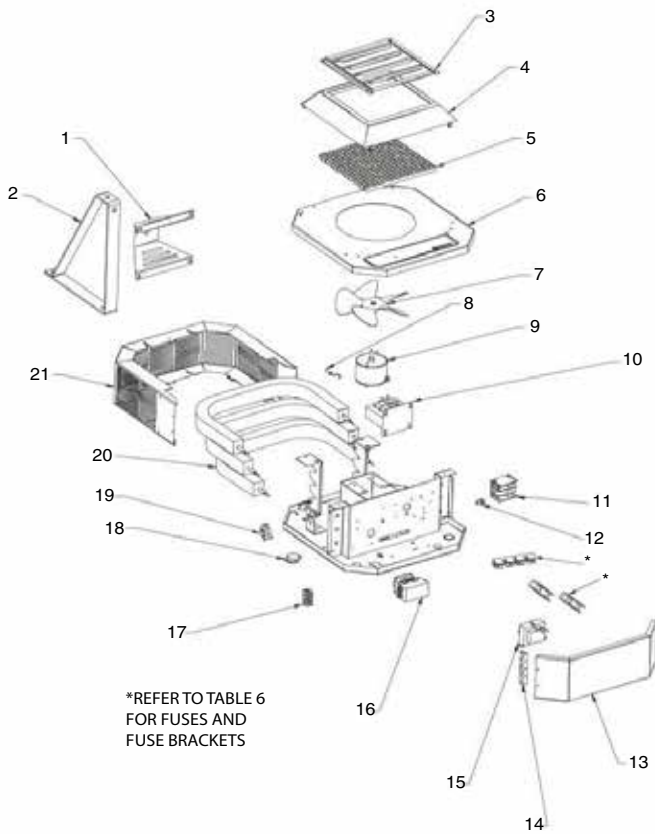
**Figure 3. Model ECS—Ceiling, Surface-Mounted, Electric Heater (2-, 3-, 4-, and 5-kW)**



**Figure 4. Model ECS—Ceiling, Surface-Mounted, Electric Heater (7- and 10-kW)**

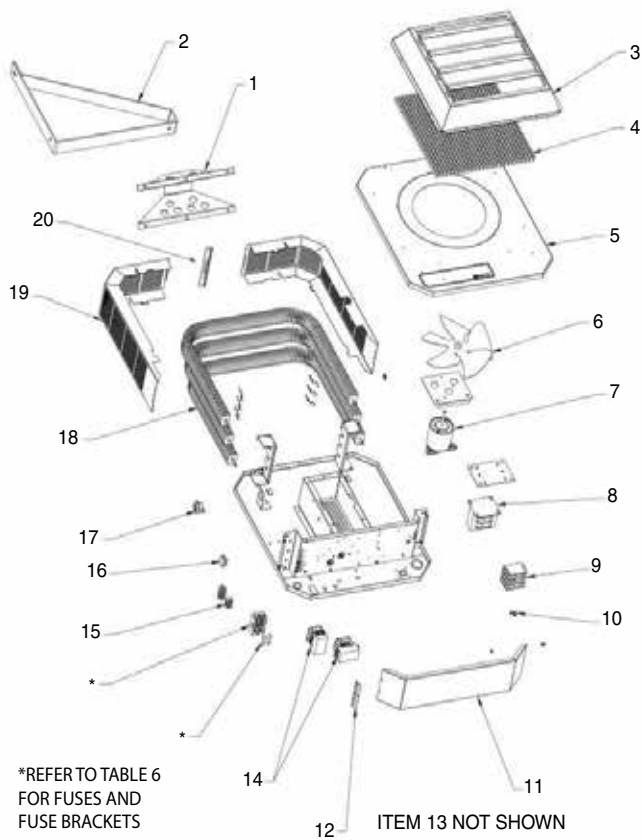
**Table 2. Parts List for Models ECR and ECS**

Item No.	Description	kW					
		2	3	4	5	7	10
		PN					
1	Bracket, ceiling, T-shaped, ECS only	234330				—	
	Bracket, ceiling, H-shaped, ECS only	—				234368	
2	Base, component bracket	234325				234365	
3	Motor, 240V	234297				—	
	Motor, 277V	234299				—	
	Motor, 208V/240V	—				234294	
4	Fan	234276				234274	
5	Bushing, 5/16 (black rubber)	223995					
6	Heating element, 208V, 1PH	234341	234348	234347	234353	234335	234359
	Heating element, 208V, 3PH	234342	234351	234348	234354	234336	234360
	Heating element, 240V, 1PH						
	Heating element, 240V, 3PH	234345	234333	234351	234357	234339	234363
	Heating element, 277V, 1PH	234343	234331	234349	234355	234337	234361
	Heating element, 347V, 1PH	234346	234334	234352	234358	234340	234364
	Heating element, 480V, 1PH					234339	234363
	Heating element, 480V, 3PH	234344	234332	234350	234356	234338	234362
	Heating element, 600V, 1PH					234337	234361
Heating element, 600V, 3PH							
7	Cabinet body, ECS only	234326				234366	
8	Grille, white, ECS only	234284				234285	
9	Frame, outlet air, ECS only	234327				234367	
10	Separator, 24V	234329					
11	Clip, wire (nylon)	234171					
12	Indicator light	234293					
13	Limit switch, ≤277V	234302				—	
14	Bushing, 1/2 (rubber)	223994				—	
15	Bracket, contactor	234328				—	
16	Contact, 2-pole	234172					
	Contact, 3-pole	—				234173	
17	Fuse holder, 30A	234283					
18	Fuse, 15A	234279					
19	Terminal block, 600V, 2-pole	234290					
20	Transformer, 347V/240V	234379					
	Transformer, 480V/240V	234386					
	Transformer, 600V/240V	234378					
21	Switch, ON/OFF	234286					
22	Fan delay control	234300					
23	Thermostat	234376					
24	Terminal block, 600V, 12-pole	234289					
	Terminal block, 600V, 4 wires	—				234292	
25	Terminal block, ECS only	234287					
26	High limit control, ECS only	—				234306	
27	Venturi	234372				—	
28	Bracket, support	234373				—	
29	Mounting box, recessed	234371				—	



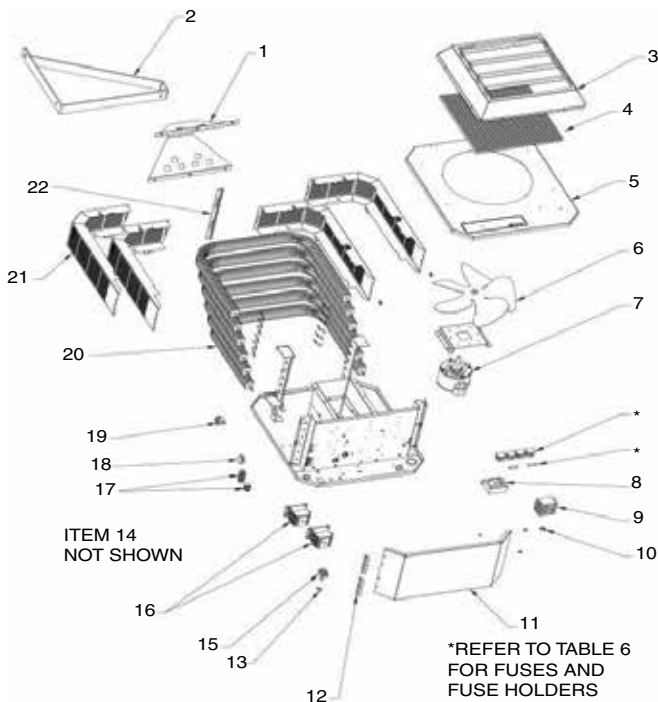
**Figure 5. Model EGEB—Forced-Air, Standard-Duty Electric Unit Heater (2-, 3-, and 5-kW)**

Item No.	Description	kW		
		2	3	5
		PN		
1	Bracket, ceiling, almond	1022244		
2	Bracket, wall-support, almond	1022094		
3	Baffle, almond	1022095		
4	Pyramid, almond	1022096		
5	Eggcrate, black	1022097		
6	Panel, front, almond	1022098		
7	Fan	234276		
8	Clip, spring	1022099		
9	Motor, 208V/240V/347V/480V/600V	234295		
	Motor, 277V, 1PH	234299		
10	Transformer, 277V	1022100		
	Transformer, 347V	234379		
	Transformer, 480V	234386		
	Transformer, 600V	234378		
11	Terminal block, 208V/240V/277V/347V/480V/600V, 1PH	1022101		
	Terminal block, 208V/480V/600V, 3PH	1022102		
12	Terminal, grounding	234287		
13	Door, junction box, almond	1022103		
14	Hinge	1022104		
15	Transformer, control, 208V	1022105		
	Transformer, control, 240V	1022105		
	Transformer, control, 277V	1022106		
	Transformer, control, 347V	1022248		
	Transformer, control, 480V	1010833		
	Transformer, control, 600V	1022107		
16	Contactors	234172 or 1005765 (24V)		
17	Terminal board, control, 2-pole	234290		
	Terminal board, control, 3-pole	1022108		
	Terminal board, control, 4-pole	1022109		
	Terminal board, control, 5-pole	1022110		
	Terminal board, control, 6-pole	1022111		
18	High limit control	1022112		
19	Fan delay control	1012050		
20	Heating element, 208V	234341	234348	234353
	Heating element, 240V	234342	234351	234354
	Heating element, 277V	234345	234333	234357
	Heating element, 347V	234343	234331	234355
	Heating element, 480V	234346	234334	234358
	Heating element, 600V	234344	234332	234356
21	Grille, air inlet, almond	1022113		



**Figure 6. Model EGEB—Forced-Air, Standard-Duty Electric Unit Heater (7.5-, 9.9-, and 10-kW)**

Table 4. Parts List for Model EGEB (7.5-, 9.9-, and 10-kW)				
Item No.	Description	kW		
		7.5	9.9	10
		PN		
1	Bracket, ceiling, almond	1022245		
2	Bracket, wall-support, almond	1022114		
3	Pyramid, almond	1022115		
4	Eggcrate, black	1022116		
5	Panel, front, almond	1022117		
6	Fan	1022118		
7	Motor, 208V, 1PH	234294		
	Motor, 208V, 3PH	234294	—	234294
	Motor, 240V/277V/347V	234294	—	234294
	Motor, 480V/600V	1022119	—	1022119
8	Transformer, 277V	234385	—	234385
	Transformer, 347V	234379	—	234379
	Transformer, 480V	234387	—	234387
	Transformer, 600V	234378	—	234378
9	Terminal block, 208V, 1PH	1022101	234291	
	Terminal block, 208V, 3PH	1022102	—	1022102
	Terminal block, 240V	1022101	—	1022101 or 234291 (in USA)
	Terminal block, 277V/347V	1022101	—	1022101
	Terminal block, 480V/600V	1022102	—	1022102
10	Terminal, grounding	234287		
11	Door, junction box, almond	1022120		
12	Hinge	1022104		
13	Transformer, control, 208V, 1PH	1022105		
	Transformer, control, 208V, 3PH	1022105	—	1022105
	Transformer, control, 240V	1022105	—	1022105
	Transformer, control, 277V	1022106	—	1022106
	Transformer, control, 347V	1022248	—	1022248
	Transformer, control, 480V	1010833	—	1010833
14	Transformer, control, 600V	1022107	—	1022107
	Contactor, 208V, 1PH	234173		
	Contactor, 208V, 3PH	234172	—	234172
	Contactor, 240V	234173	—	234173
	Contactor, 277V	234172	—	234172 234173
15	Contactor, 347V/480V/600V	234172	—	234172
	Terminal board, control, 2-pole	234290		
	Terminal board, control, 3-pole	1022108		
	Terminal board, control, 4-pole	1022109		
	Terminal board, control, 5-pole	1022110		
16	Terminal board, control, 6-pole	1022111		
	High limit control	1006047		
17	Fan delay control	234300		
18	Heating element, 208V, 1PH	1022121	1022122	
	Heating element, 208V, 3PH	1022121	—	1022122
	Heating element, 240V	1022123	—	1022124
	Heating element, 277V	1022125	—	1022126
	Heating element, 347V	1022127	—	1022128
	Heating element, 480V	1022129	—	1022130
19	Heating element, 600V	1022142	—	1022173
	Grille, air inlet, almond	1022246		
20	Bracket, air inlet grille	1022131		

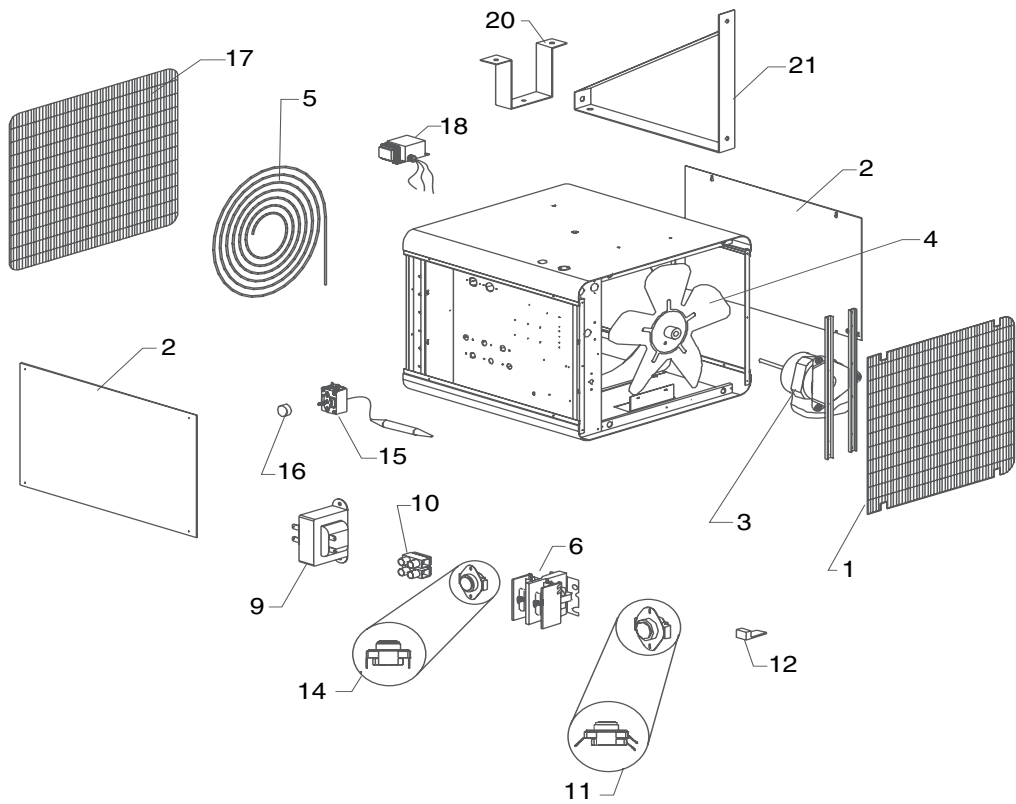


**Figure 7. Model EGEB—Forced-Air, Standard-Duty Electric Unit Heater (15-, 19.8-, and 20-kW)**

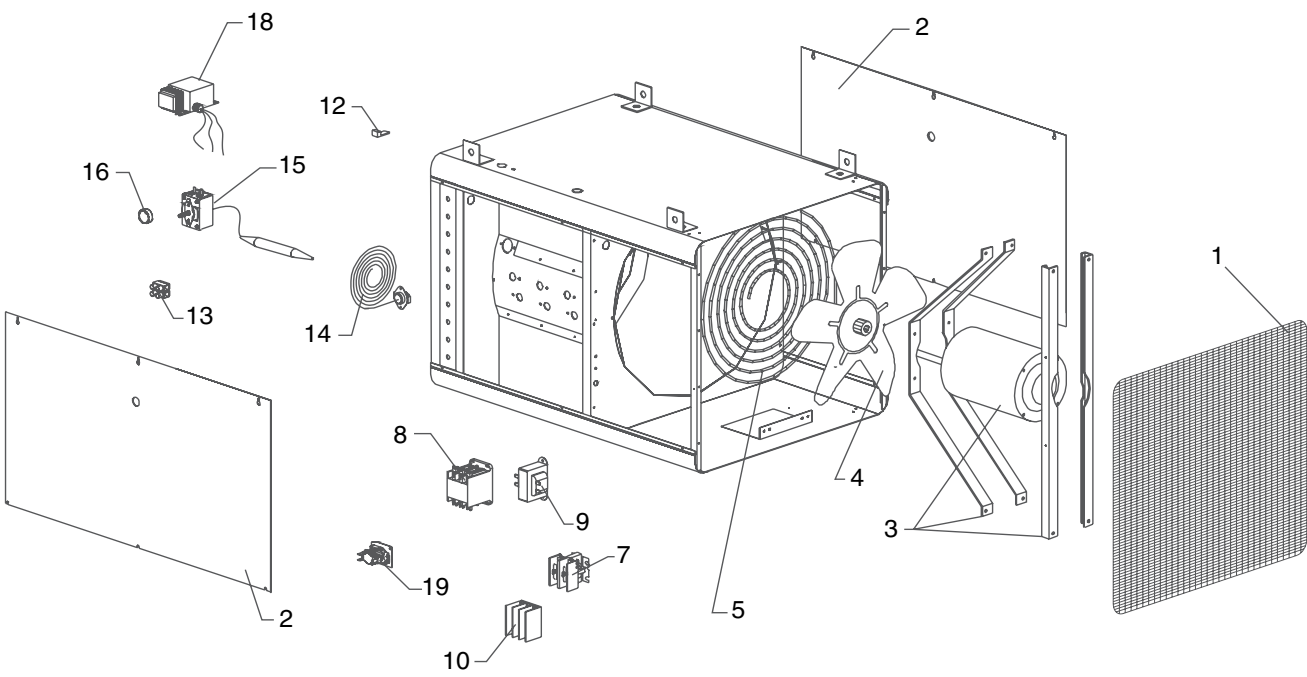
Table 6. Fuses and Fuse Brackets for Model EGEB									
Description	kW								
	2	3	5	7.5	9.9	10	15	19.8	20
	PN								
<b>Fuse</b>									
Fuse, 3/16A	—		1022132						
Fuse, 4/10A	1022133								
Fuse, 6/10A	1022134								
Fuse, 0.75A	—		1022135						
Fuse, 1.5A	234278								
Fuse, 15A	234279								
Fuse, 30A	1022136								
Fuse, 60A	—		234280						
<b>Bracket</b>									
Bracket, fuse, 3/16A and 0.75A	—		234283						
Bracket, fuse, 4/10A, 6/10A, 15A, and 30A	234283								
Bracket, fuse, 1.5A	234369								
Bracket, fuse, 60A	—		234281 or 234282 (triple units)						

Table 5. Parts List for Model EGEB (15-, 19.8-, and 20-kW)				
Item No.	Description	kW		
		15	19.8	20
		PN		
1	Bracket, ceiling, almond	1022247		
2	Bracket, wall-support, almond	1022114		
3	Pyramid, almond	1022115		
4	Eggcrate, black	1022116		
5	Panel, front, almond	1022117		
6	Fan	1022137	1022138	
7	Motor, 208V	1022139	—	1022139
	Motor, 240V	1022139		
	Motor, 480V	235319	—	235319
	Motor, 600V	1006024	—	1006024
8	Transformer, 480V	234387	—	234387
	Transformer, 600V	234384	—	234384
9	Terminal block, 208V/240V	234291		
	Terminal block, 480V/600V	234292	—	234292
10	Terminal, grounding	234287		
11	Door, junction box, almond	1022140		
12	Hinge	1022104		
13	Switch, DPDT	1022141		
14	Transformer, control, 208V	1022105	—	1022105
	Transformer, control, 240V	1022105		
	Transformer, control, 480V	1010833	—	1010833
	Transformer, control, 600V	1022107	—	1022107
15	Switch, toggle, 3-pole	1022143		
16	Contactors	234172 or 1005765 (24V)		
17	Terminal board, control, 2-pole	234290		
	Terminal board, control, 3-pole	1022108 (used with motors <300V)		
		234289 (used with motors >300V)		
	Terminal board, control, 4-pole	1022109		
Terminal board, control, 5-pole	1022110			
Terminal board, control, 6-pole	1022111			
18	High limit control	1022144		
19	Fan delay control	234300		
20	Heating element, 208V	1022121	—	1022122
	Heating element, 240V	1022123	1022124	
	Heating element, 480V	1022129	—	1022130
	Heating element, 600V	1022142	—	1022173
21	Grille, air inlet, almond	1022246		
22	Bracket, air inlet grille	1022145		





**Figure 8. Model EGHB—Heavy-Duty Suspended Unit Heater (2- through 30-kW)**



**Figure 9. Model EGHB—Heavy-Duty Suspended Unit Heater (40-, 50-, and 60-kW)**

**Table 7. Parts List for Model EGHB**

Item No.	Description	kW													
		2	3	4	5	7	10	15	20	25	30	40	50	60	
		PN													
1	Grill, front	234312					234217					234322			
2	Panel, side, almond	234311					234316					234321			
3	Motor, 208V	234294					234298					—			
	Motor, 240V	234294					234298					—			
	Motor, 347V	234294					—					—			
	Motor, 480V	234294					234296					234324			
4	Motor, 600V	234294					234296					234323			
	Fan	234274					234273					234275			
5	Heating element, 208V, 1PH	234201	234200	234201	234203	—									
	Heating element, 208V, 3PH	234196	234197	234198	234202	234203	234199	234214	234215	234212	—				
					234201										
	Heating element, 240V, 1PH	234200	234202	234200	234231	234201	234203	234213	234214	234215	—				
											234231				
	Heating element, 347V, 1PH	234206	234206	234206	234207	234207	—								
							234205								
	Heating element, 480V, 1PH	234243	234245	234241	234242	—									
Heating element, 480V, 3PH	234243	234245	234241	234242	234244	234246	234247	234248	234249	234250	234270	234271	234272		
Heating element, 600V, 1PH	234208	234211	234208	234209	—										
					234208										
Heating element, 600V, 3PH	234204	234205	234208	234209	234210	234211	234217	234218	234219	234216	234237	234238	234239		
6	Contactor, 208V, 1PH	234172				—									
	Contactor, 208V, 3PH	234172					234173					—			
	Contactor, 240V, 1PH	234172					234173					—			
	Contactor, 347V, 1PH	234172					—								
	Contactor, 480V, 1PH	234172					—					—			
	Contactor, 480V, 3PH	234172					234173					—			
	Contactor, 600V, 1PH	234172					—								
Contactor, 600V, 3PH	234172														
7	Contactor, 2-Pole	—										234172			
8	Contactor, 3-Pole	—										234173			
9	Transformer, 347V, 1PH	234379	234379	234379	234379	234379	—								
	Transformer, 480V, 1PH	234386	234386	234386	234386	—									
	Transformer, 480V, 3PH	234386	234386	234386	234386	234386	234386	234387	234387	234387	234387	234387	234387	234387	
	Transformer, 600V, 1PH	234378	234378	234378	234378	—									
	Transformer, 600V, 3PH	234378	234378	234378	234378	234378	234378	234377	234377	234377	234377	234384	234384	234384	
10	Terminal block, 208V, 1PH	234289	234289	234289	234289	—									
	Terminal block, 208V, 3PH	234289	234289	234289	234289	234289	234288	234288	234288	234291	—				
	Terminal block, 240V, 1PH	234289	234289	234289	234289	234292	234292	234292	234291	234291	—				
	Terminal block, 347V, 1PH	234289	234289	234289	234289	234292	—								
	Terminal block, 480V, 1PH	234289	234289	234289	234289	—									
	Terminal block, 480V, 3PH	234289	234289	234289	234289	234289	234289	234289	234288	234288	234288	234288	234288	234291	
	Terminal block, 600V, 1PH	234289	234289	234289	234289	—									
Terminal block, 600V, 3PH	234289	234289	234289	234289	234289	234289	234289	234289	234288	234288	234288	234288	234288		
11	Fan delay control	234300										—			
12	Terminal block	234287													
13	Terminal block	—										234290			
14	High limit control, automatic reset	234301										—			
	High limit control, manual reset	324304										—			
	High limit control, 750V	—										234305			
15	Thermostat	234375													
16	Knob, thermostat	223991													
17	Grill, back	234313					234318					—			
18	Relay kit, 24V, without transformer	234431													
	Relay kit, 24V, with transformer	234432													
19	Relay, fan	—										234308			
20	Bracket, ceiling, almond	234315					234320					—			
21	Bracket, wall-support, almond	234314					234319					—			



Figure 10. Model EGP—Portable Construction Heater (4- and 4.8-kW)

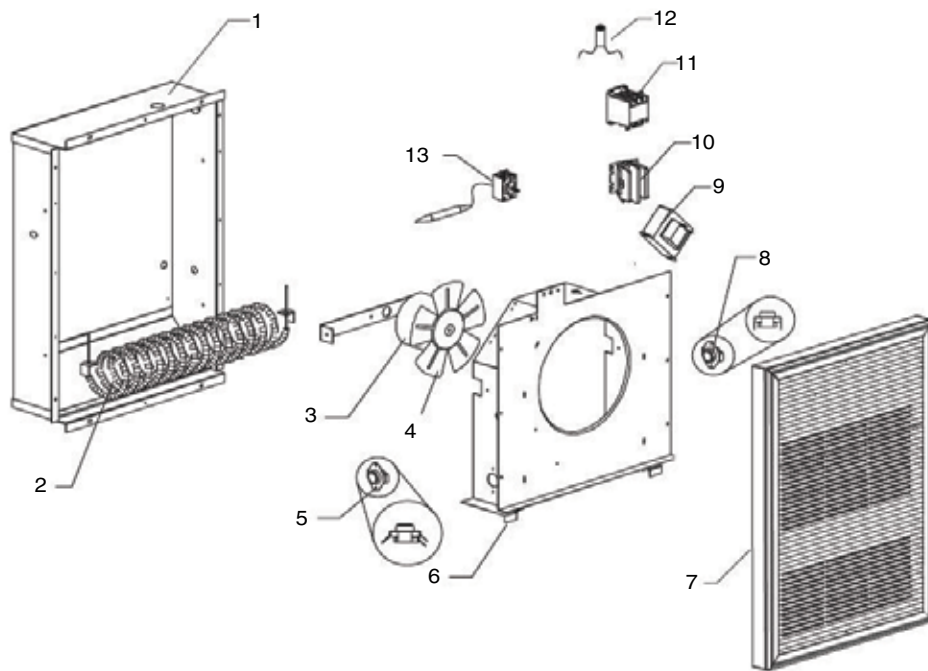
---

**NOTE: There are no replaceable parts for models EGP and EGW. In the event of failure, the unit will be replaced if it is under warranty.**

---



Figure 11. Model EGW—Workshop, Suspended, Electric Unit Heater (2-, 3-, and 5-kW)

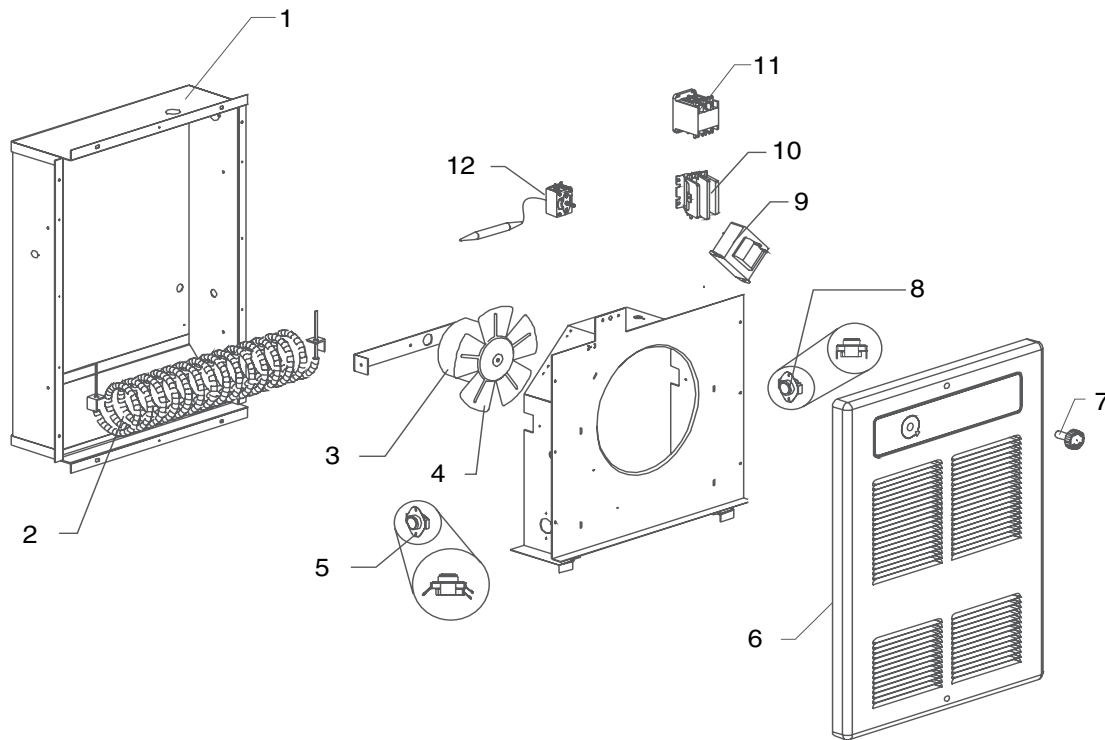


**Figure 12. Model EHA—Forced-Air, Architectural Wall Heater (1.5- through 12-kW)**

**Table 8. Parts List for Model EHA**

Item No.	Description	kW									
		1.5	2	3	4	4.8	6	8	9	12	
		PN									
1	Box, mounting, recessed, 1PH	1022146					1022147		—	1022148	
	Box, mounting, recessed, 3PH	—					1022148	—	1022148		
2	Heating, element, 120V, 1PH	1020489	—								
	Heating, element, 208V, 1PH	—	234236	—	234220	234257	—	234220	—	234220	
	Heating, element, 208V, 3PH	—					234236	—	234223		
	Heating, element, 240V, 1PH	234235	234221	234222	234223	234258	234222	234223	—	234223	
	Heating, element, 277V, 1PH	234259	234251	234252	234253	234260	234252	234253	—	234253	
	Heating, element, 347V, 1PH	234232	234224	234225	234226	1022150	234225	234226	—	234226	
	Heating, element, 480V, 1PH	1022149	234254	234255	234256	1022151	234255	234256	—	234256	
	Heating, element, 480V, 3PH	—									
	Heating, element, 600V, 1PH	234233	234227	234228	234229	1022152	234228	234229	—	234229	
Heating, element, 600V, 3PH	—					234227	—	234228			
3	Motor, 120V	1022153									
	Motor, 240V	234295									
	Motor, 277V	234299									
4	Fan	1022154									
5	Fan delay control, 208V/277V	234300									
	Fan delay control, 347V/480V/600V	234307									
6	Fan housing	1022155									
7	Cover, front, single unit, almond*	1022156									
	Cover, front, single unit, white*	1022157									
8	High limit control, 240V/277V	234302									
	High limit control, 347V/480V/600V	234303									
9	Transformer, 277V	1022100									
	Transformer, 347V	234379									
	Transformer, 480V	234386									
	Transformer, 600V	234378									
10	Contact, 2-pole	234172									
11	Contact, 3-pole	234173									
12	Indicator light	1022158									
13	Thermostat	234375									

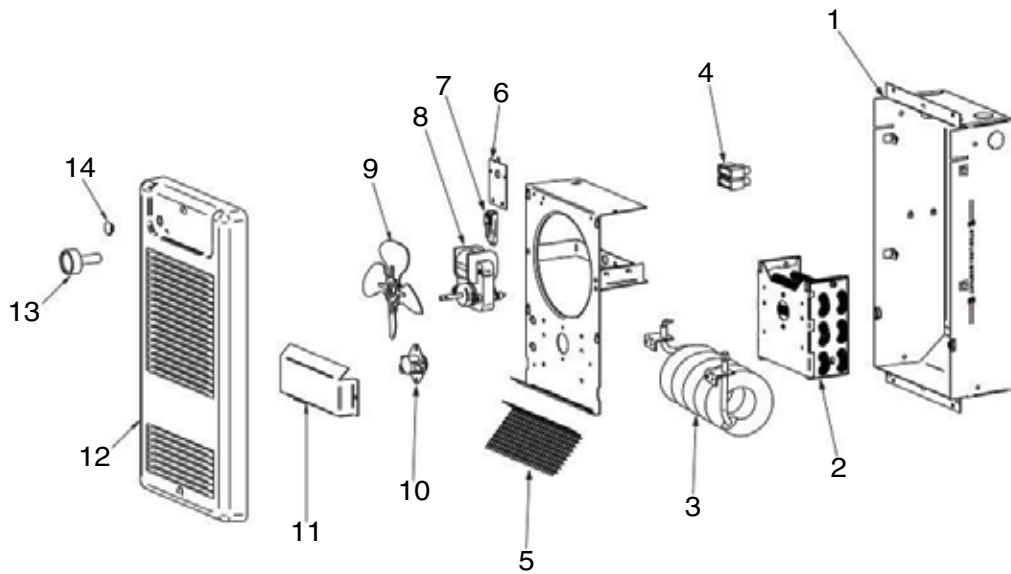
\*Also available in bronze, metallic charcoal and silver, semi-gloss black, sand, aluminum, and anodized aluminum for single units. Also available in all colors for double and triple units. Contact factory representative for PN.



**Figure 13. Model EHC—Commercial, Wall-Mounted, Electric Heater (1- through 12-kW)**

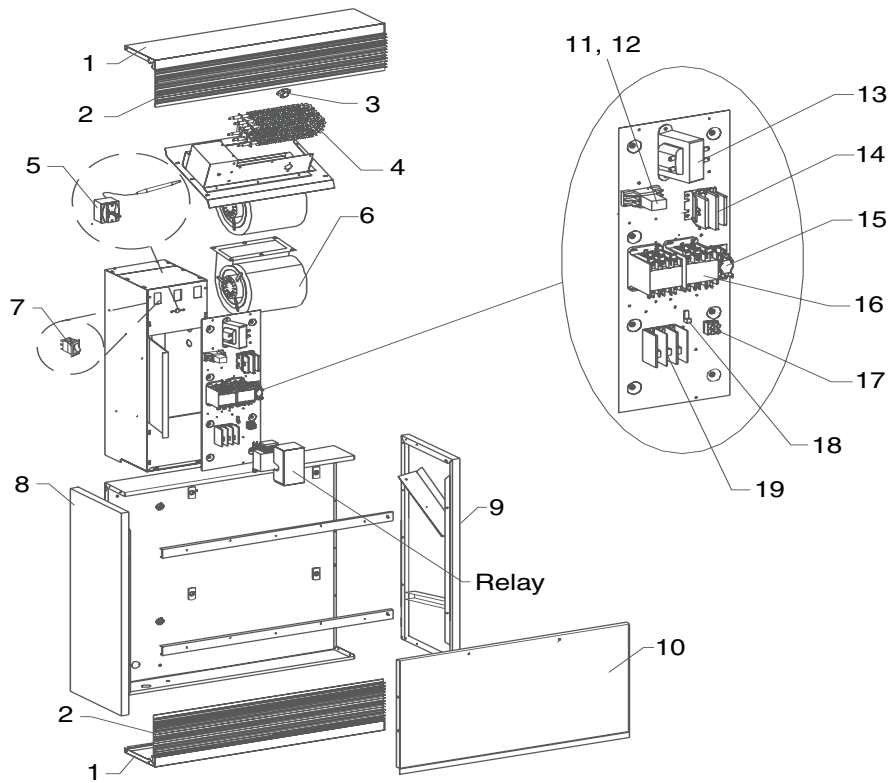
**Table 9. Parts List for Model EHC**

Item No.	Description	kW							
		1	2	3	4	5	6	8	12
		PN (Qty)							
1	Mounting box, recessed	223978 (1)				223985 (2)			223986 (3)
2	Heating element, 208V	—	234236 (1)	—	234220 (1)	234257 (1)	—	234220 (2)	234220 (3)
	Heating element, 240V	234235 (1)	234221 (1)	234222 (1)	234223 (1)	234258 (1)	234222 (2)	234223 (2)	234223 (3)
	Heating element, 277V	234259 (1)	234251 (1)	234252 (1)	234253 (1)	234260 (1)	234252 (2)	234253 (2)	234253 (3)
	Heating element, 347V	234232 (1)	234224 (1)	234225 (1)	234226 (1)	—	234225 (2)	234226 (2)	234226 (3)
	Heating element, 480V	—	234254 (1)	234255 (1)	234256 (1)	—	234255 (2)	234256 (2)	234256 (3)
	Heating element, 600V	234233 (1)	234227 (1)	234228 (1)	234229 (1)	—	234228 (2)	234229 (2)	234229 (3)
3	Fan motor, 240V	234295							
	Fan motor, 277V	234299							
4	Fan	234445							
5	Fan delay control, 208V/277V	234300							
	Fan delay control, 347V/480V/600V	234307							
6	Front panel, almond	223979 (1)	223979 (1)	223979 (1)	223979 (1)	223979 (1)	223981 (2)	223981 (2)	223983 (3)
	Front panel, white	223980 (1)	223980 (1)	223980 (1)	223980 (1)	223980 (1)	223982 (2)	223982 (2)	223984 (3)
7	Knob, thermostat, brown	223990							
	Knob, thermostat, white	223992							
8	High limit control, 208V/277V	234302							
	High limit control, 347V/480V/600V	234303							
9	Transformer, 277V	234385							
	Transformer, 347V	234379							
	Transformer, 480V	234386							
	Transformer, 600V	234378							
10	Contactor, 2-pole	234172							
11	Contactor, 3-pole	234173							
12	Thermostat	234375							



**Figure 14. Model EHL—Residential Wall Fan Heater (0.5- through 2-kW)**

Table 10. Parts List for Model EHL							
Item No.	Description	kW					
		0.5	0.75	1	1.25	1.5	2
PN							
1	Box, mounting, recessed, 120–240V	1022159					
	Box, mounting, recessed, 347V	1022249					
2	Heating element, 347V	—		1022250	—	1022251	1022252
3	Heating element, 120V	1022160	1022161	1022253	1022162	1022163	—
	Heating element, 208V	—					
	Heating element, 240V/208V	1022164	1022165	1022166	1022167	1022168	1022160
4	Terminal block, 347V	1022101					
5	Grille, safety, 347V	1022255					
6	Bracket, thermostat	1022169					
7	Indicator light	234293 (USA only)					
8	Motor, 120V	1012064			1022170		—
	Motor, 208V	—					
	Motor, 240V/208V	1022172	1022172	1022172	1022171	1022171	1022171
	Motor, 347V	—		1022171	—	1022171	
9	Fan, 120–240V	1012065					
	Fan, 347V	1022174					
10	High limit control, 120–240V	1022175 (234306 in Canada)					
	High limit control, 347V	1022257 (Canada only)					
11	Plate, protection, 347V	1022258					
12	Cover, front, almond	1022176					
	Cover, front, white	1022177					
13	Control knob	1022178					
14	Plug, snap-in, white	1022179					
	Plug, snap-in, almond	1022180					



**Figure 15. Model EMC—Wall- or Ceiling-Mounted, Electric Cabinet Heater (2- through 24-kW)**

<b>Table 11. Fuses and Fuse Holders for Model EMC</b>			
<b>Fuse</b>		<b>Fuse Holder</b>	
<b>PN</b>	<b>Size (Amps)</b>	<b>PN</b>	<b>Qty</b>
234278	1.5	234369	1
234279	15	234283	1
234280	60	234281	2
234280	60	234282	3

**Table 12. Parts List for Model EMC**

Item No.	Description	kW											
		2	3	4	5	6	8	10	12	15	18	20	24
		PN											
1	Cover, removable, almond*	234149				234153				234159		234163	
	Cover, removable, white*	234150				234154				234160		234164	
2	Grill, almond*	234155				234157				234165		234167	
	Grill, white*	234156				234158				234166		234168	
3	High limit control	234301											
4	Heating element, 208V, 1PH	234185	234185	234184	234183	234184	234184	234183	234184	234183	234184	234183	234184
	Heating element, 208V, 3PH	234195	234185	234174	234183	234184	234174	234183	234184	234186	234187	234186	234187
	Heating element, 240V, 1PH	234187	234191	234185	234186	234187	234185	234186	234187	—	—	—	—
	Heating element, 240V, 1PH	234191	—	—	—	—	—	—	—	—	—	—	—
	Heating element, 277V, 1PH	234261	234261	234262	234263	234264	234262	234263	234264	234263	234264	234263	234264
	Heating element, 347V, 1PH	234188	234188	234191	234190	234191	234189	234190	234191	234190	234191	234190	234191
	Heating element, 480V, 1PH	234266	234266	234267	234268	234195	234267	234268	234269	234268	234269	234268	234269
	Heating element, 480V, 3PH	234265	234266	234267	234268	234195	234267	234268	234269	234268	234269	234268	234269
	Heating element, 600V, 1PH	234192	234192 234193	234192	234193	234184	234192	234193	234184	234193	234184	234193	234184
	Heating element, 600V, 3PH	234194	234188	234192	234193	234191	234192	234193	234191	234193	234184	234193	234191
5	Thermostat	234376											
6	Blower fan	234277											
7	Switch, ON/OFF	234286											
8	Panel, right-side, almond*	223998											
	Panel, right-side, white*	223999											
9	Panel, left-side, almond*	223996											
	Panel, left-side, white*	223997											
10	Panel, front, almond*	234147				234151				234169		234161	
	Panel, front, white*	234148				234152				234170		234162	
11	Coil, relay, 24V	234309											
12	Base, relay	234310											
13	Transformer, 347V	234380				234383				234380		—	
	Transformer, 600V	234381				234382				234381		234382	
14	Contact, 2-pole, 30A	234172											
15	Relay, fan	234308											
16	Contact, 3-pole, 40A	234173											
17	Terminal block, 600V, 2-pole	234290											
18	Terminal block	234287											
19	Terminal block, 208V, 1PH	234289				—							
	Terminal block, 208V, 3PH	234289				234288							
	Terminal block, 240V, 1PH	234289				234288				234291			
	Terminal block, 347V, 1PH	234289				234288				—			
	Terminal block, 600V, 1PH	234289				—							
	Terminal block, 600V, 3PH	—				234289							
—	Contact, 208V, 1PH**	234172				—							
	Contact, 208V, 3PH**	234172				234173				234173			
	Contact, 240V, 1PH**	234172								—			
	Contact, 347V, 1PH**	234172				—							
	Contact, 600V, 1PH**	234172											
	Contact, 600V, 3PH**	234172											
	Contact, 208V, 1PH***	234172				—							
	Contact, 208V, 3PH***	234172				234172				234173			
	Contact, 240V, 1PH***	234172											
	Contact, 347V, 1PH***	234172								—			
	Contact, 600V, 1PH***	234172											
	Contact, 600V, 3PH***	234172											

\*Also available in bronze, metallic charcoal, semi-gloss black, sand, and aluminum. Contact factory representative for PN.

\*\*Without Hi-Lo Switch (not shown).

\*\*\*With Hi-Lo Switch (not shown).

**NOTE:** For wall-mounted thermostat options, refer to accessories section in product catalog.



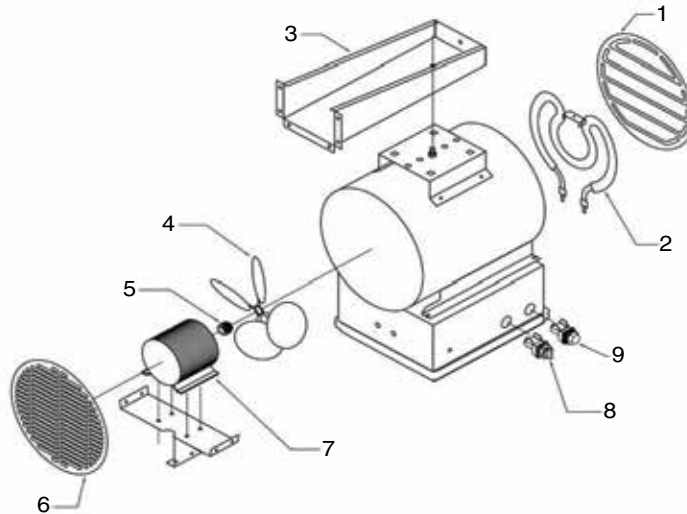


Figure 16. Model EWHB—Wash-Down Unit Heater (3- through 47-kW)

Table 13. Parts List for Model EWHB (3- through 12-kW)

Item No.	Description	kW					
		3	5	7.5	9	10	12
		PN (Quantity)*					
1	Grille, outlet	1022181					
2	Heating element, 208V, 1PH**	1022182 (3)	1022183 (2)	1022183 (3)	1022184 (3)	—	
	Heating element, 208V, 3PH**	1022182 (3)	1022185 (3)	1022183 (3)	1022184 (3)	1022186 (3)	1022187 (3)
	Heating element, 240V, 1PH**	1022188 (3)	1022189 (2)	1022189 (3)	1022190 (3)	1022191 (3)	—
	Heating element, 240V, 3PH**	1022188 (3)	1022192 (3)	1022189 (3)	1022190 (3)	1022191 (3)	1022193 (3)
	Heating element, 277V, 1PH**	1022194 (3)	1022195 (2)	1022196 (3)	1022197 (3)	1022198 (3)	1022199 (3)
	Heating element, 480V, 1PH**	1022200 (3)	1022201 (2)	1022201 (3)	1022202 (3)	1022203 (3)	1022204 (3)
	Heating element, 480V, 3PH**	1022200 (3)	1022205 (3)	1022201 (3)	1022202 (3)	1022203 (3)	1022204 (3)
	Heating element, 600V, 3PH**	1022206 (3)	1022207 (3)	1022208 (3)	1022209 (3)	1022210 (3)	1022211 (3)
3	Bracket, mounting	1022212					
4	Fan	1022213			1022214		
5	Hub, fan	1022215					
6	Grille, inlet	1022216					
7	Motor, 208V/240V/480V	1020495					
	Motor, 277V/347V	1022217					
	Motor, 600V	1022218					
8	Switch, selector, with 3-position knob	1022219					
	Switch, selector, with contact block	1022220					
9	Pilot light, 24V	1022221					
	Pilot light, 120V	1022222					

\*Quantity is one (1) unless otherwise indicated.

\*\*When ordering any size heater element, order one (1) hardware kit (PN 1022803) per element. Contact factory representative for element quantities.

**NOTE:** Several replaceable control components that are not shown—contactors, capacitors, high limit (automatic and manual) and fan delay controls, transformers, and thermostats—are available for order. Contact factory representative for PN.

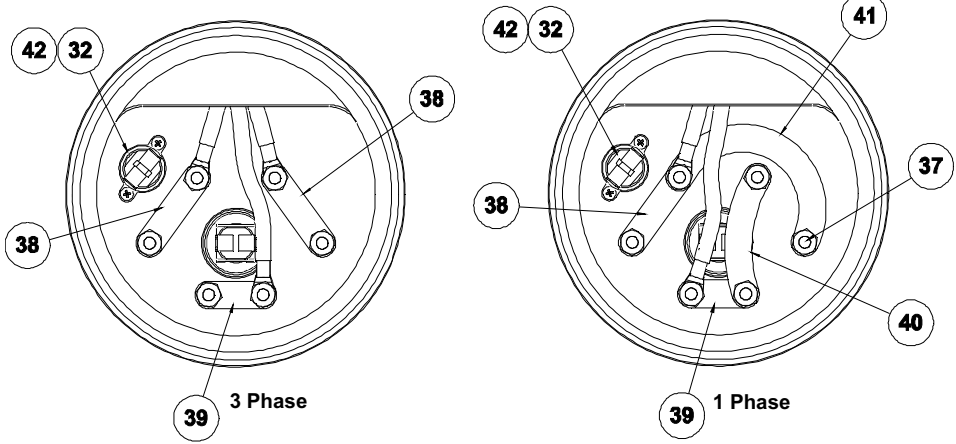
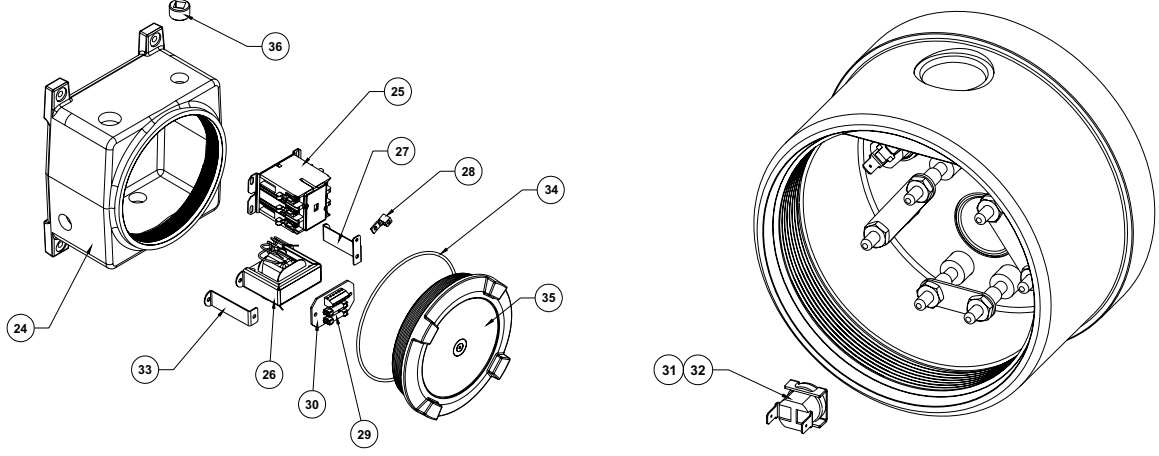
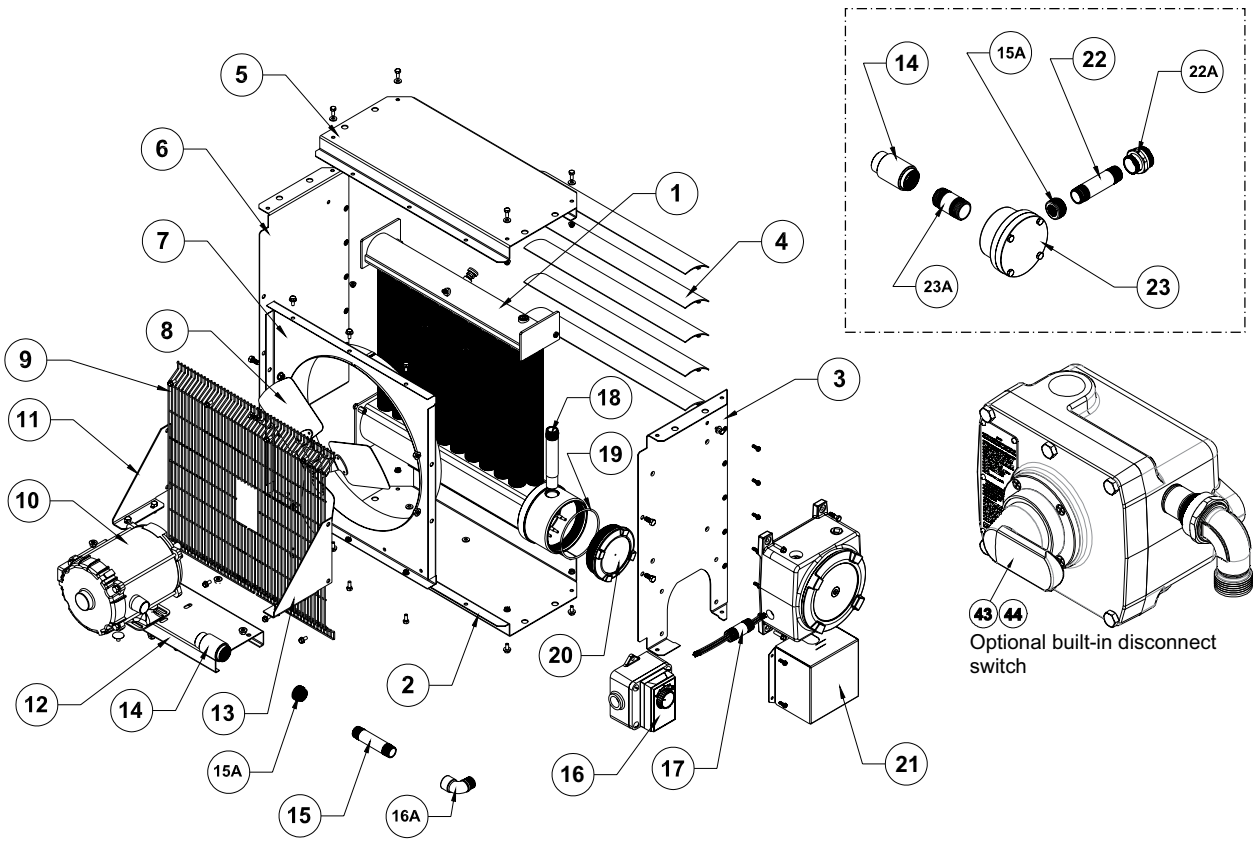
**Table 14. Parts List for Model EWHB (12.5- through 47-kW)**

Item No.	Description	kW			
		12.5	15	20	25
		PN (Quantity)*			
1	Grille, outlet	1022224			
2	Heating element, 208V, 3PH**	1022225 (3)	1022226 (3)	—	
	Heating element, 240V, 3PH**	1022227 (3)	1022228 (3)	—	
	Heating element, 480V, 3PH**	1022229 (3)	1022230 (3)	1022231 (3)	1022229 (6)
	Heating element, 600V, 3PH**	1022232 (3)	1022233 (3)	1022234 (3)	1022235 (6)
3	Bracket, mounting	1022236			
4	Fan	1022237			
6	Grille, inlet	1022238			
7	Motor, 208V/240V/480V	1020495			
	Motor, 277V/347V	1022217			
	Motor, 600V	1022218			
8	Switch, selector, with 3-position knob	1022219			
	Switch, selector, with contact block	1022220			
9	Pilot light, 24V	1022221			
	Pilot light, 120V	1022222			
Item No.	Description	kW			
		30	35	38.4	47
		PN			
1	Grille, outlet	1022224			
2	Heating element, 208V, 3PH**	—			
	Heating element, 240V, 3PH**	—			
	Heating element, 480V, 3PH**	1022230 (6)	1022239 (6)	1022240 (6)	—
	Heating element, 600V, 3PH**	1022233 (6)	1022241 (6)	1022242 (6)	1022243 (6)
3	Bracket, mounting	1022236			
4	Fan	1022237			
6	Grille, inlet	1022238			
7	Motor, 208V/240V/480V	1020495			
	Motor, 277V/347V	1022217			
	Motor, 600V	1022218			
8	Switch, selector, with 3-position knob	1022219			
	Switch, selector, with contact block	1022220			
9	Pilot light, 24V	1022221			
	Pilot light, 120V	1022222			

\*Quantity is one (1) unless otherwise indicated.

\*\*When ordering any size heater element, order one (1) hardware kit (PN 1022803) per element. Contact factory representative for element quantities.

**NOTE:** Several replaceable control components that are not shown—contactors, capacitors, high limit (automatic and manual) and fan delay controls, transformers, and thermostats—are available for order. Contact factory representative for PN.



**Figure 17. Model EXUB—Explosion-Resistant, Electric Unit Heater (5- through 30-kW)**

**Table 15. Parts List for Model EXUB**

Item No.	Description	12-Inch Fan			16-Inch Fan		20-Inch Fan		
		kW							
		5	7.5	10	15	20	25	30	
		PN							
1	Core assembly, with bus bars	Contact factory representative for PN (specify V, PH, and kW)							
2	Panel, bottom	235459			235477		235490		
3	Panel, left-side	235460			235478		235491		
4	Louver blade	235461			235479		235492		
5	Panel, top	235462			235480		235493		
6	Panel, right-side	235463			235481		235494		
7	Panel, fan	235464			235482		235495		
8	Fan blade	235451	235452	235453	235454	235455	235456	235457	
9	Fan guard, two-piece	235465			235483		235496		
10	Motor, explosion-proof, 115V/208–230V, 1Ø	235446						—	
	Motor, explosion-proof, 208–230V/460V, 3Ø	235447						235448	
	Motor, explosion-proof, 575V, 3Ø	235449						235450	
11	Bracket, motor, right-side	235458							
12	Base, motor	235466			235484		235497		
13	Bracket, motor, left-side	235473							
14	Union, expansion, female	235474							
15	Conduit, expansion union to elbow	235467			235485		235498		
15A	Bushing, reducing	235475							
16	Thermostat, wall, explosion-proof (CX1)	1011608							
16A	Elbow, 90-degree	235476							
17	Conduit, potted, with thermostat	235468						235500	
	Conduit, potted, without thermostat	235469						235501	
18	Conduit, vertical	235470			235486		235499		
19	O-ring, element enclosure cover	235488							
20	Cover, element enclosure	235489							
21	Guard, element enclosure	235504							
22	Conduit, motor box to enclosure	235471						235502	
22A	Union	235505							
23	Box, motor outlet	235506							
23A	Conduit, motor to motor box	235472			235487		235503		
24	Enclosure, control	235507							
25	Contact, 120V	235508							
	Contact, 24V	235509							
26	Transformer, 120V	235510							
	Transformer, 24V	235511							
27	Bracket, transformer ground	235512							
28	Grounding lug	235513							
29	Fuse, 120V, 0.25A	235514							
	Fuse, 24V, 1A	235515							
30	Circuit board assembly, printed, 120V	235516							
	Circuit board assembly, printed, 24V	235517							
31	High limit, automatic reset	235518							
32	Cement, conductive, high limit	235519							
33	Bracket, transformer	235520							
34	O-ring, control enclosure cover	235521							
35	Cover, control enclosure	235522							
36	Plug, 3/4 NPT, explosion-proof	235523							
37	Nut, bus bar	235524							
38	Bus bar, straight, long	235525							
39	Bus bar, straight, short	235526							
40	Bus bar, curved, short	235527							
41	Bus bar, curved, long	235528							
42	High limit, manual reset	235529							
43	Handle, disconnect	235530							
44	Disconnect switch, non-fused, 60A	235531							

---

Specifications and illustrations subject to change without notice or incurring obligations.  
©2019 Nortek Global HVAC LLC, O'Fallon, MO.  
All rights reserved.  
**D303079D (03-19) P-ELEC**



D303079D