



IGP SERIES RETROFIT KITS

APPLICATIONS

Direct simplex replacement grinder for positive displacement grinder systems

FEATURES

- Fast, simple, and easy installation
- Epoxy-coated steel cover
- Watertight junction box for ease of installation
- 1-1/4" cast iron anti-siphon/check valve
- 1-1/4" NPT piping
- Adjustable alarm float switch preset at factory
- 2 hp 3450 rpm automatic grinder pump with mechanical float switch
- Quick disconnect plug
- Lightweight
- Rigid construction for ease of handling



IGP-A-RFK

IGP-A-RFKT

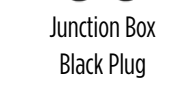
MODEL INFORMATION

Item No.	Model	Volts	Hz	Phase	Full Load Amps/Watts	Plug	Total Height (A)	Cover Depth (B)
515835	IGP-A-RFKT	208-230	60	1	13.9/3200	Gray	47.49	31.65
515836	IGP-A-RFK				13.9/3200	Gray	43.91	31.65
515801	IGP-A-RFKT				13.9/3200	Black	47.49	31.65
515802	IGP-A-RFK				13.9/3200	Black	43.91	31.65
515803	IGPHR-A-RFK				16/3600	Gray	45.01	32.75
515804	IGPHR-A-RFK				16/3600	Black	45.01	32.75

Model	Performance (GPM @ Head)							Shut-Off	PSI	Weight (lbs)
	40'	60'	80'	100'	120'	150'	175'			
IGP-A-RFKT	31	30	25	20	10	-	-	130'	56	123
IGP-A-RFK	31	30	25	20	10	-	-	130'	56	123
IGP-A-RFKT	31	30	25	20	10	-	-	130'	56	123
IGP-A-RFK	31	30	25	20	10	-	-	130'	56	123
IGPHR-A-RFK	-	-	-	30	27	18	10	200'	65	128
IGPHR-A-RFK	-	-	-	30	27	18	10	200'	65	128



Adapter Harness



Junction Box
Black Plug



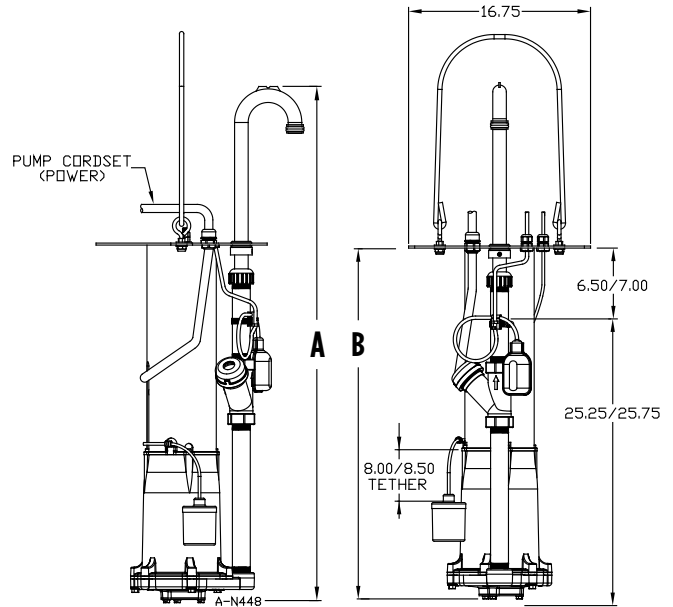
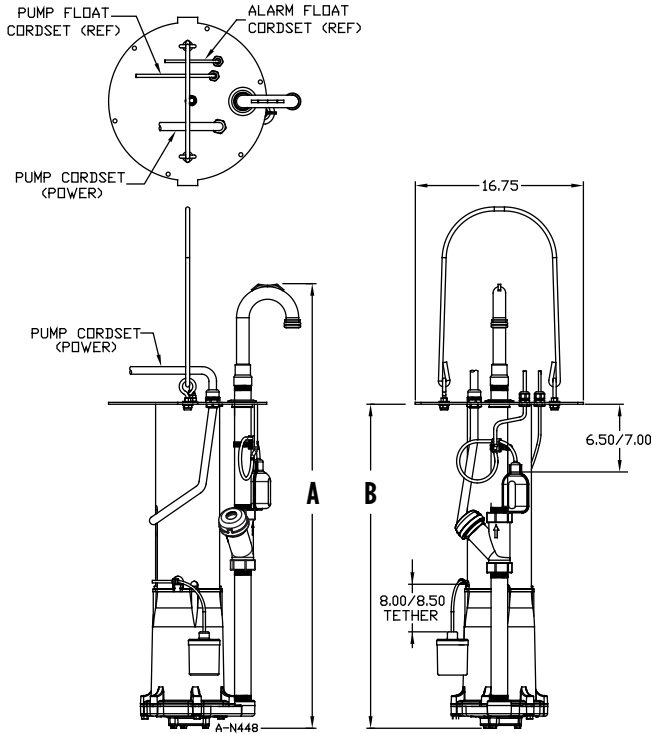
Junction Box
Gray Plug

ACCESSORIES

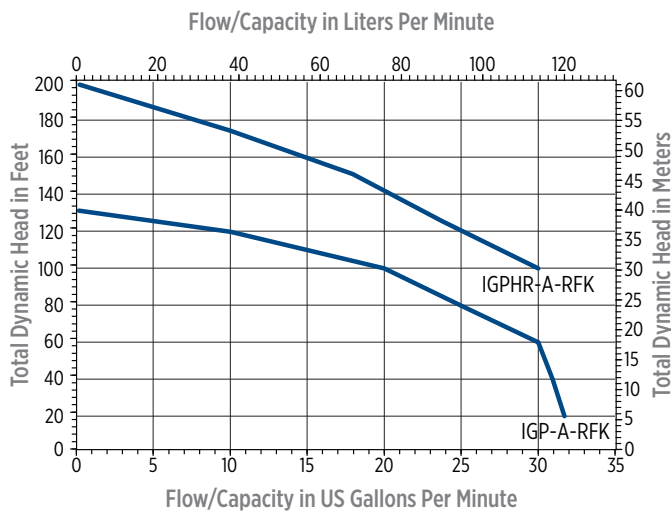
Item No.	Description
115156	Adapter Harness, 1 ft (Gray Female Plug to Black Male Plug)

IGP SERIES RETROFIT KITS

DIMENSIONS



PERFORMANCE



CONSTRUCTION

Discharge	1.25" Vertical
Motor Cover	Cast iron with epoxy coating
Motor Cover O-Ring	Nitrile
Motor Design	Single-phase, capacitor start, capacitor run
Insulation Class	F
Overload Protection	Internal, on winding thermal protector
Motor Shaft	AISI 300 Series stainless steel
Ball Bearing-Upper	Single row ball, 6203
Ball Bearing-Lower	Single row ball, 6306
Seal Housing	Cast iron with epoxy coating
Mechanical Seal	Carbon/ceramic
Volute	Cast iron with epoxy coating
Impeller	Brass
Rotating Cutter	AISI 440C stainless steel, through-hardened to Rockwell 55-60C
Stationary Cutter	AISI 440C stainless steel, hardened to Rockwell 55-60C
External Hardware	300 Series stainless steel
Power Cable	Type SOOW/or SOW 14/3 AWG