



IGPH-M SERIES

APPLICATIONS

Franklin Electric's IGPH-M Series grinder pumps are ideal for the toughest residential and commercial wastewater applications, ranging from sewage lift stations to low pressure sewer systems used with housing developments, lake communities or anywhere high vertical lift or long force mains are present

FEATURES

- Powerful 2 hp, 3450 rpm motor to handle the demands of grinding domestic sewage
- Externally-mounted start components*
- Dual stage hydraulics
- Carbon/Ceramic mechanical seal
- Deflection-resistant, short motor shaft
- Corrosion-resistant upper and lower brass impellers minimize downtime and maintenance
- Tight cutting clearances for superior grinding at 414,000 cuts per minute
- Epoxy-coated finish for corrosion resistance and durability
- Built-in overload protection prevents over-current/over-temperature damage

* The IGPH and IGPHR Series single phase pumps require a specific control panel or capacitor kit from FPS, matched to the pump for proper operation and third-party approval.

MODEL INFORMATION

Item No.	Model	HP	Volts	Hz	Phase	Cord Length	Full Load Amps/Watts	Weight (lbs)
515712	IGPH-M231-30	2	208-230	60	1	30'	18.5/3600	107
515704	IGPH-M233-30	2	208-230	60	3	30'	13/1650	105
515706	IGPH-M463-30	2	460	60	3	30'	6/1300	105
515700	IGPHR-M231-30	2	208-230	60	1	30'	16/3600	107

IGPH Performance (GPM @ Head)									Shut-Off	PSI
10'	25'	50'	75'	100'	125'	150'	175'			
40	39	36	33	30	24	18	10	200'	65	

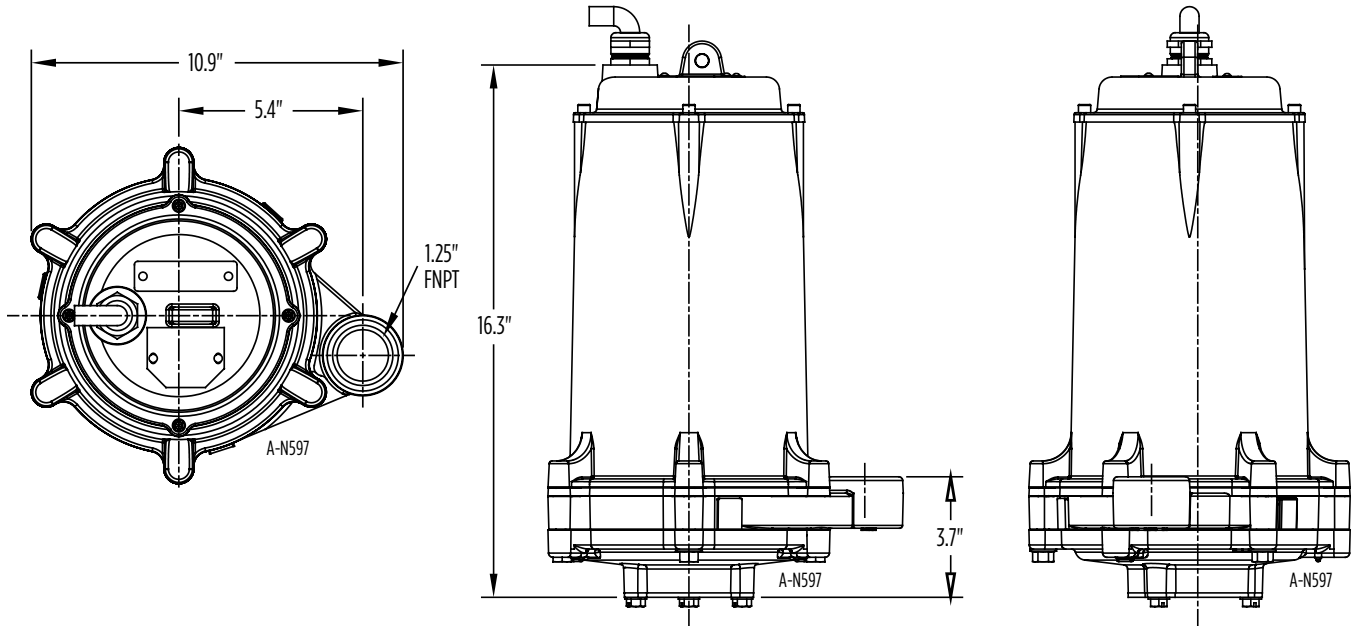
Performance (GPM @ Head)				Shut-Off	PSI
100'	125'	150'	175'		
30	24	18	10	200'	65



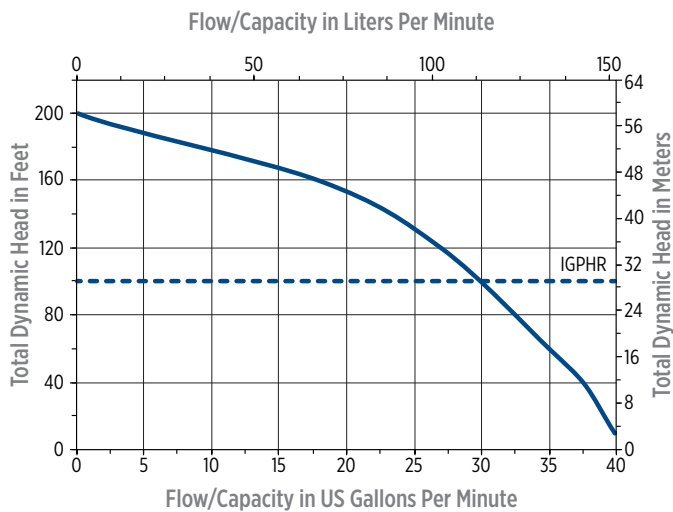
(U.S. Patent No. 7,237,736)

IGPH-M SERIES

DIMENSIONS



PERFORMANCE



CONSTRUCTION

Discharge	1.25" Vertical FNPT
Motor Cover	Cast iron with epoxy-coating
Motor Cover O-ring	Nitrile
Motor Design	Single-phase, Three-phase
Insulation Class	F
Overload Protection	Internal, on winding thermal protector
Motor Shaft	AISI 300 series stainless steel
Ball Bearing-Upper	Single row ball, 6203
Ball Bearing-Lower	Single row ball, 6306
Seal Housing	Cast iron with epoxy-coating
Mechanical Seal	Carbon/ceramic
Volute	Cast iron with epoxy-coating
Impellers	Brass
Rotating Cutter	AISI 440C stainless steel, through-hardened to Rockwell 55-60C
Stationary Cutter	AISI 440C stainless steel, hardened to Rockwell 55-60C
External Hardware	300 series stainless steel
Power Cable	Type SOW or SOOW 12/4