



IGP-M SERIES

APPLICATIONS

Franklin Electric's IGP-M Series grinder pumps are ideal for the toughest residential and commercial wastewater applications, ranging from sewage lift stations to low pressure sewer systems used with housing developments, lake communities or anywhere high vertical lift or long force mains are present

FEATURES

- Powerful 2 hp, 3450 rpm motor to handle the demands of grinding domestic sewage
- Externally-mounted start components*
- Carbon/Ceramic mechanical seal
- Deflection-resistant, short motor shaft
- Corrosion-resistant brass impeller minimizes downtime and maintenance
- Seven-vane, angled face, non-clogging, balanced impeller
- Tight cutting clearances for superior grinding at 414,000 cuts per minute
- Epoxy-coated finish for corrosion resistance and durability
- Built-in overload protection prevents over-current and over-temperature damage

*The IGP Manual Series requires a specific control panel or capacitor kit from FPS, matched to the pump for proper operation and third-party approval.

MODEL INFORMATION

Item No.	Model	HP	Volts	Hz	Phase	Full Load Amps/Watts	Cord
515864	IGP-M231-15	2	208-230	60	1	13.9/3200	15'
515879	IGP-M231-30	2	208-230	60	1	13.9/3200	30'
515870	IGP-M233-30	2	208-230	60	3	10/1300	30'
515871	IGP-M463-30	2	460	60	3	4.5/1025	30'

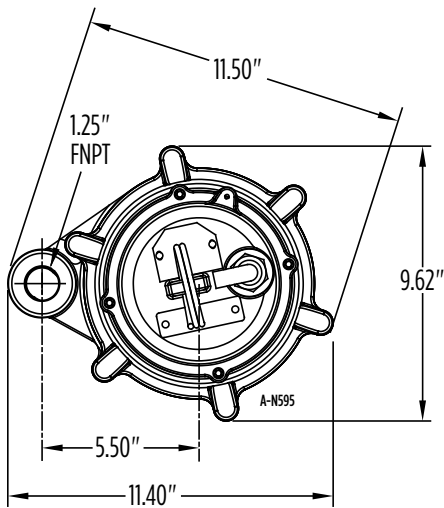
Performance (GPM @ Head)						Shut-Off	PSI	Weight (lbs)
20'	40'	60'	80'	100'	120'			
32	31	30	25	20	10	130'	56	75



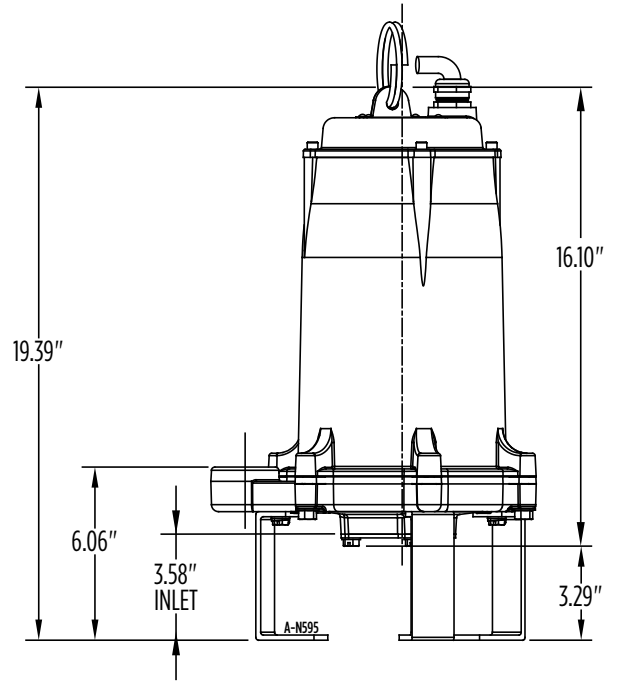
(U.S. Patent No. 7,237,736)

IGP-M SERIES

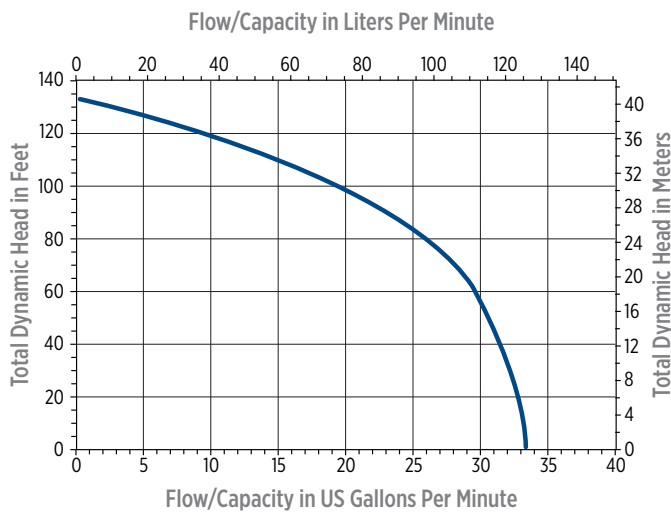
DIMENSIONS



Shown with optional leg kit (599078)



PERFORMANCE



CONSTRUCTION

Discharge	1.25" Vertical FNPT
Motor Cover	Cast iron with epoxy coating
Motor Cover O-ring	Nitrile
Motor Design	Single-phase, capacitor start, capacitor run or three-phase
Insulation Class	F
Overload Protection	Internal, on winding thermal protector
Motor Shaft	*AISI 300 series stainless steel
Ball Bearing-Upper	Single row ball, 6203
Ball Bearing-Lower	Single row ball, 6306
Seal Housing	Cast iron with epoxy coating
Mechanical Seal	Carbon/Ceramic
Volute	Cast iron with epoxy coating
Impeller	Brass
Rotating Cutter	AISI 440C stainless steel, through-hardened to Rockwell 55-60C
Stationary Cutter	AISI 440C stainless steel, hardened to Rockwell 55-60C
External Hardware	300 series stainless steel
Power Cable	Type SOW-A or SOW 14/4 AWG

* In contact with fluid pumped