



## IGPH-A SERIES

### APPLICATIONS

Franklin Electric's IGPH-A Series grinder pumps are ideal for the toughest residential and commercial wastewater applications, ranging from sewage lift stations to low pressure sewer systems used with housing developments, lake communities or anywhere high vertical lift or long force mains are present

### FEATURES

- Powerful 2 hp, 3450 rpm motor to handle the demands of grinding domestic sewage
- Start/Run components encased in oil-free chamber requiring no control panel
- Dual stage hydraulics
- Carbon/Ceramic mechanical seal
- Deflection-resistant, short motor shaft
- Corrosion-resistant upper and lower brass impellers minimize downtime and maintenance
- Tight cutting clearances for superior grinding at 414,000 cuts per minute
- Epoxy-coated finish for corrosion resistance and durability
- Built-in overload protection prevents over-current/over-temperature damage

### MODEL INFORMATION

| Item No. | Model         | HP | Volts   | Hz | Phase | Cord Length | Full Load Amps/Watts | Weight (lbs) |
|----------|---------------|----|---------|----|-------|-------------|----------------------|--------------|
| 515713   | IGPH-A231-30  | 2  | 208-230 | 60 | 1     | 30'         | 18.5/3600            | 109          |
| 515716*  | IGPH-A231-30  | 2  | 208-230 | 60 | 1     | 30'         | 18.5/3600            | 109          |
| 515701   | IGPHR-A231-30 | 2  | 208-230 | 60 | 1     | 30'         | 16/3600              | 109          |
| 515711*  | IGPHR-A231-30 | 2  | 208-230 | 60 | 1     | 30'         | 16/3600              | 109          |

\* No Float

| Performance (GPM @ Head) |     |     |     |      |      |      |      | Shut-Off | PSI |
|--------------------------|-----|-----|-----|------|------|------|------|----------|-----|
| 10'                      | 25' | 50' | 75' | 100' | 125' | 150' | 175' |          |     |
| 40                       | 39  | 36  | 33  | 30   | 24   | 18   | 10   | 200'     | 65  |

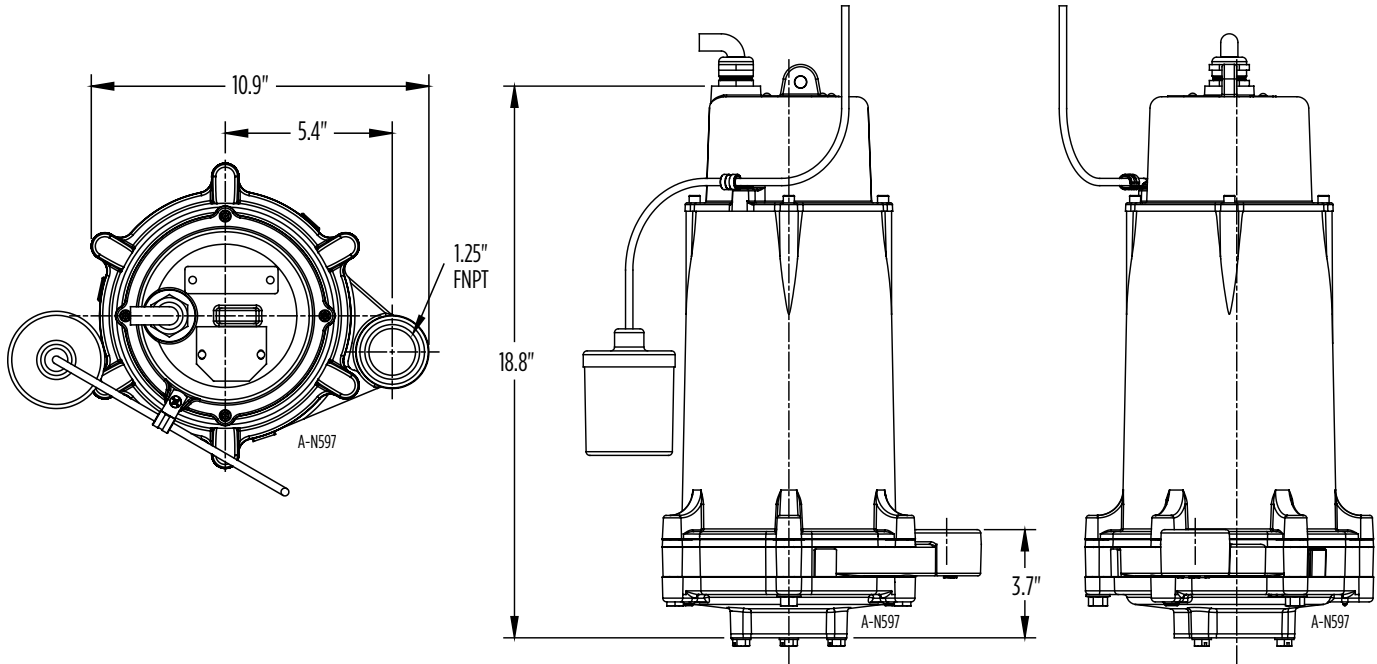
| Performance (GPM @ Head) |      |      |      | Shut-Off | PSI |
|--------------------------|------|------|------|----------|-----|
| 100'                     | 125' | 150' | 175' |          |     |
| 30                       | 24   | 18   | 10   | 200'     | 65  |



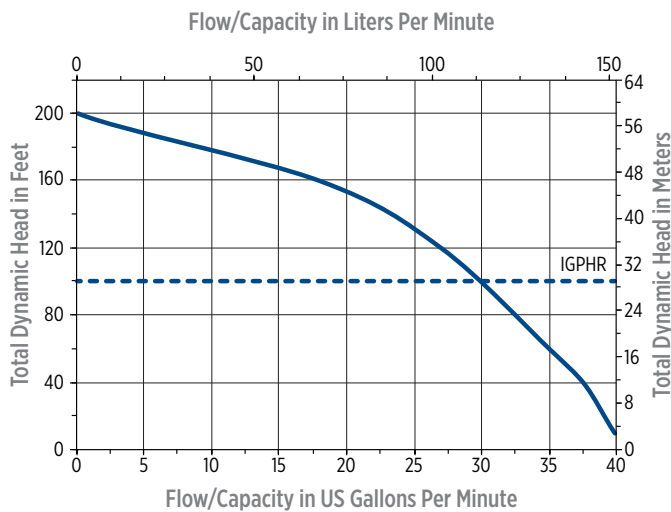
(U.S. Patent No. 7,237,736)

# IGPH-A SERIES

## DIMENSIONS



## PERFORMANCE



## CONSTRUCTION

|                            |  |
|----------------------------|--|
| <b>Discharge</b>           | 1.25" Vertical FNPT  |
| <b>Motor Cover</b>         | Cast iron with epoxy-coating                                   |
| <b>Motor Cover O-ring</b>  | Nitrile  |
| <b>Motor Design</b>        | Single-phase, capacitor start, capacitor run                   |
| <b>Insulation Class</b>    | F  |
| <b>Overload Protection</b> | Internal, on winding thermal protector                         |
| <b>Motor Shaft</b>         | AISI 300 series stainless steel                                |
| <b>Ball Bearing-Upper</b>  | Single row ball, 6203  |
| <b>Ball Bearing-Lower</b>  | Single row ball, 6306  |
| <b>Seal Housing</b>        | Cast iron with epoxy-coating                                   |
| <b>Mechanical Seal</b>     | Carbon/ceramic   |
| <b>Volute</b>              | Cast iron with epoxy-coating                                   |
| <b>Impellers</b>           | Brass  |
| <b>Rotating Cutter</b>     | AISI 440C stainless steel, through-hardened to Rockwell 55-60C |
| <b>Stationary Cutter</b>   | AISI 440C stainless steel, hardened to Rockwell 55-60C         |
| <b>External Hardware</b>   | 300 series stainless steel                                     |
| <b>Power Cable</b>         | Type SOW or SOOW 12/3  |