



IGP-A SERIES

APPLICATIONS

Franklin Electric's IGP-A Series grinder pumps are ideal for the toughest residential and commercial wastewater applications, ranging from sewage lift stations to low pressure sewer systems used with housing developments, lake communities or anywhere high vertical lift or long force mains are present

FEATURES

- Powerful 2 hp, 3450 rpm motor to handle the demands of grinding domestic sewage
- Mechanical float switch for automatic operation on 515861 and 515873
- Start/Run components encased in oil-free chamber requiring no control panel
- Carbon/Ceramic mechanical seal
- Deflection-resistant, short motor shaft
- Corrosion-resistant brass impeller minimizes downtime and maintenance
- Seven-vane, angled face, non-clogging, balanced impeller
- Tight cutting clearances for superior grinding at 414,000 cuts per minute
- Epoxy-coated finish for corrosion resistance and durability
- Built-in overload protection prevents over-current/over-temperature damage
- GLK-SST Grinder Leg Kit included with all IGP-A pumps

MODEL INFORMATION

Item No.	Model	HP	Volts	Hz	Full Load Amps/Watts	Cord
515861	IGP-A231-20	2	208-230	60	13.9/3200	20'
515862	*IGP-A231-20	2	208-230	60	13.9/3200	20'
515873	IGP-A231-30	2	208-230	60	13.9/3200	30'
515874	*IGP-A231-30	2	208-230	60	13.9/3200	30'

Performance (GPM @ Head)						Shut-Off	PSI	Weight (lbs)
20'	40'	60'	80'	100'	120'			
32	31	30	25	20	10	130'	56	104

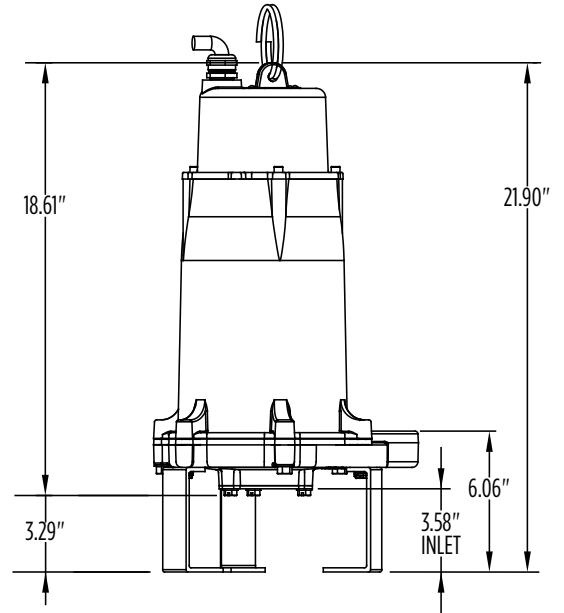
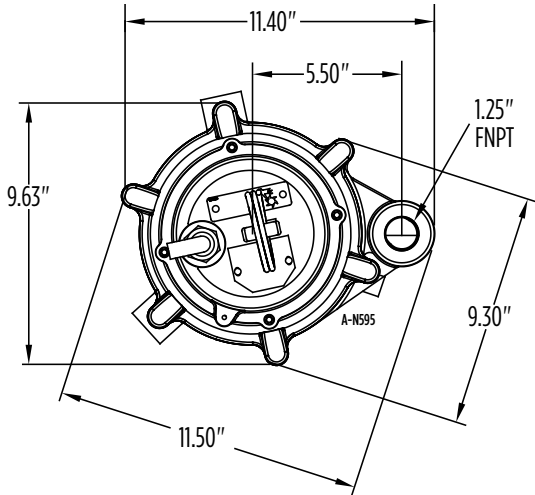
* Float not included



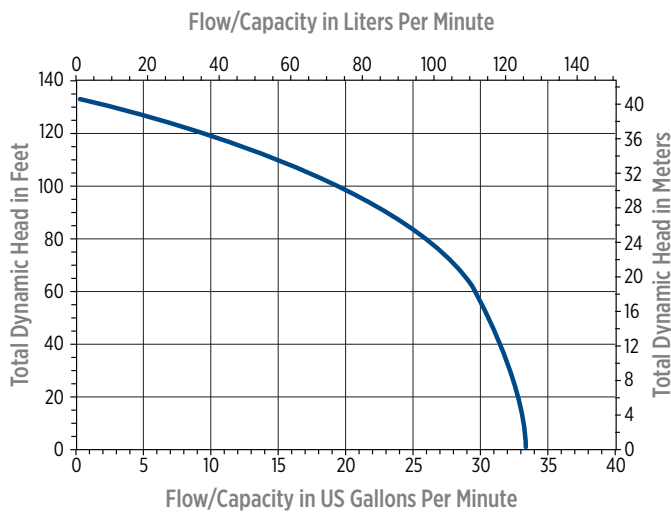
(U.S. Patent No. 7,237,736)

IGP-A SERIES

DIMENSIONS



PERFORMANCE



CONSTRUCTION

Discharge	1.25" Vertical FNPT
Motor Cover	Cast iron with epoxy coating
Motor Cover O-ring	Nitrile
Motor Design	Single-phase, capacitor start, capacitor run
Insulation Class	F
Overload Protection	Internal, on winding thermal protector
Motor Shaft	*AISI 300 series stainless steel
Ball Bearing-Upper	Single row ball, 6203
Ball Bearing-Lower	Single row ball, 6306
Seal Housing	Cast iron with epoxy coating
Mechanical Seal	Carbon/Ceramic
Volute	Cast iron with epoxy coating
Impeller	Brass
Rotating Cutter	AISI 440C stainless steel, through-hardened to Rockwell 55-60C
Stationary Cutter	AISI 440C stainless steel, hardened to Rockwell 55-60C
External Hardware	300 series stainless steel
Power Cable	Type SOW/or SOW 14/3 AWG

* In contact with fluid pumped