

Comfort System

Hot water recirculation system

Installation and operating instructions



be
think
innovate

GRUNDFOS 

English (US)

Installation and operating instructions 3

Français (CA)

Notice d'installation et de fonctionnement 13

Español (MX)

Instrucciones de instalación y operación 23

English (US) Installation and operating instructions

Original installation and operating instructions

These installation and operating instructions describe Grundfos Comfort System.

Sections 1-5 give the information necessary to be able to unpack, install and start up the product in a safe way.

Sections 6-10 give important information about the product, as well as information on service, fault finding and disposal of the product.

CONTENTS

	Page
1. Limited warranty	3
2. General information	4
2.1 Hazard statements	4
2.2 Notes	4
3. Receiving the product	4
3.1 Inspecting the product	4
3.2 Scope of delivery	4
4. Installing the product	5
4.1 Pipe connections	5
4.2 Installing the pump	5
4.3 Installing the bypass valve	6
4.4 Checking for proper pump and bypass valve operation	8
5. Starting up the product	8
5.1 Setting the timer	8
6. Product introduction	11
6.1 Intended use	11
6.2 Pumped liquids	11
6.3 Identification	11
6.4 Approvals	11
7. Servicing the product	11
8. Fault finding the product	12
9. Technical data	12
10. Disposing of the product	12



Read this document before installing the product. Installation and operation must comply with local regulations and accepted codes of good practice.



Successful operation depends on careful attention to the procedures described in this manual. Keep this manual for future use.

1. Limited warranty

Products manufactured by Grundfos Pumps Corporation (Grundfos) are warranted to the original user only to be free of defects in material and workmanship for a period of 24 months from date of installation, but not more than 30 months from date of manufacture. Grundfos' liability under this warranty shall be limited to repairing or replacing at Grundfos' option, without charge, F.O.B. Grundfos' factory or authorized service station, any product of Grundfos manufacture. Grundfos will not be liable for any costs of removal, installation, transportation, or any other charges that may arise in connection with a warranty claim.

Products which are sold, but not manufactured by Grundfos, are subject to the warranty provided by the manufacturer of said products and not by Grundfos' warranty.

Grundfos will not be liable for damage or wear to products caused by abnormal operating conditions, accident, abuse, misuse, unauthorized alteration or repair, or if the product was not installed in accordance with Grundfos' printed installation and operating instructions and accepted codes of good practice. The warranty does not cover normal wear and tear.

To obtain service under this warranty, the defective product must be returned to the distributor or dealer of Grundfos' products from which it was purchased together with proof of purchase and installation date, failure date and supporting installation data. Unless otherwise provided, the distributor or dealer will contact Grundfos or an authorized service station for instructions. Any defective product to be returned to Grundfos or a service station must be sent freight prepaid; documentation supporting the warranty claim and/or a Return Material Authorization must be included if so instructed.

Grundfos will not be liable for any incidental or consequential damages, losses, or expenses arising from installation, use, or any other causes. There are no express or implied warranties, including merchantability or fitness for a particular purpose, which extend beyond those warranties described or referred to above. Some jurisdictions do not allow the exclusion or limitation of incidental or consequential damages and some jurisdictions do not allow limitations on how long implied warranties may last. Therefore the above limitations or exclusions may not apply to you. This warranty gives you specific legal rights and you may also have other rights which vary from jurisdiction to jurisdiction.

Products which are repaired or replaced by Grundfos or authorized service center under the provisions of these limited warranty terms will continue to be covered by Grundfos warranty only through the remainder of the original warranty period set forth by the original purchase date.

2. General information

2.1 Hazard statements

The symbols and hazard statements below may appear in Grundfos installation and operating instructions, safety instructions and service instructions.



DANGER

Indicates a hazardous situation which, if not avoided, will result in death or serious personal injury.



WARNING

Indicates a hazardous situation which, if not avoided, could result in death or serious personal injury.



CAUTION

Indicates a hazardous situation which, if not avoided, could result in minor or moderate personal injury.

The hazard statements are structured in the following way:



SIGNAL WORD

Description of hazard

Consequence of ignoring the warning.
- Action to avoid the hazard.

2.2 Notes

The symbols and notes below may appear in Grundfos installation and operating instructions, safety instructions and service instructions.



Observe these instructions for explosion-proof products.



A blue or grey circle with a white graphical symbol indicates that an action must be taken.



A red or grey circle with a diagonal bar, possibly with a black graphical symbol, indicates that an action must not be taken or must be stopped.



If these instructions are not observed, it may result in malfunction or damage to the equipment.



Tips and advice that make the work easier.

3. Receiving the product

3.1 Inspecting the product

Check that the product received is in accordance with the order.

Check that the voltage and frequency of the product match the voltage and frequency of the installation site. See section [6.3 Identification](#) for information on the nameplate.

Examine the product to make sure no damage has occurred during shipment. Ensure the pump is not dropped or mishandled. Dropping the pump will damage it.

3.2 Scope of delivery

The box contains the following items:

- One Grundfos UP 15 circulator with line cord
- one 24-hour timer
- one under-sink, bypass valve
- two valve mounting screws
- two flex hoses
- two adapters, if equipped
- installation and operating instructions.

4. Installing the product

WARNING

Hot water

- Serious to moderate personal injury
- Pay special attention to the risk of injury caused by scalding hot water.
 - After installation, you may find some warm water in the cold water line at the sink where the valve is installed. Once the cold water line is opened, the warm water will dissipate in a very short time.



WARNING

Electric shock

- Death or serious personal injury
- Switch off the power supply before starting any work on the product. Make sure that the power supply cannot be accidentally switched on.



WARNING

Electric shock

- Death or serious personal injury
- For indoor use only.
 - This pump has not been investigated for use in swimming pool or marine areas.



WARNING

Electric shock

- Death or serious personal injury
- Do not switch on the power supply until the product has been properly installed.



WARNING

Electric shock

- Death or serious personal injury
- Ensure the pump's grounding conductor is connected only to a properly grounded grounding type receptacle.
 - For safe operation of this pump, it must be grounded in accordance with national, state, and local governing codes and regulations.



Before installation, review the installation procedures in this document to insure proper and safe installation. Failure to follow procedures described in this document could affect your warranty and may cause inadvertent property damage.

The operating voltage and other electrical data are marked on the motor label. Make sure that the motor is suitable for the electrical supply on which it will be used.

4.1 Pipe connections



When connecting pipes, be sure to follow the pipe manufacturer's recommendations and all code requirements for pipe material.



Do not use Teflon[®] tape or pipe joint compound, that is pipe dope, on the valve threads.

4.2 Installing the pump

1. Close the water supply valve to the water heater, typically located above the water heater on the cold-water inlet to the water heater.
2. Drain the water from the hot-water pipe by opening a water faucet in the house. Let the water run until it stops flowing. Then drain the remaining water from the water heater spigot. Make sure to leave the faucet open until the pump installation is complete. If water does not stop flowing, check to make sure the water to the water heater has been completely shut off.
3. Disconnect the hot-water pipe from the hot-water outlet of the water heater. See fig. 1.
4. Install the pump onto the water heater outlet, using the 3/4" female fitting and gasket supplied on the pump. Ensure that the pump shaft is horizontal. Install the pump so that it pumps away from the water heater, towards the house. See the flow arrow on the side of the pump housing for reference. Be sure that the pump does not touch the exhaust vent pipe (chimney) of a gas- or oil-fired water heater. See fig. 2.
5. Connect the hot-water line to the 3/4" NPT outlet of the pump. Use pipe joint compound, that is pipe dope, or Teflon[®] tape to seal the threads when connecting to a 3/4" female NPT connection. If a gasketed flexible copper water-heater connector is used, pipe joint compound, that is pipe dope, or Teflon[®] tape is not required.
6. Reopen the water supply valve to the water heater and allow the water to run until all the air has been purged from the pipes.
7. Close the faucet inside the house.
8. Plug the timer into a 115 V outlet. Plug the power cable of the pump into the timer outlet. Be sure to route the power cable so that it does not touch the exhaust vent pipe of a gas- or oil-fired water heater.
9. Use the timer to set the pump to operate around your peak use times, such as 30 minutes before the first shower until 15 minutes after the last shower. See section [5.1 Setting the timer](#).

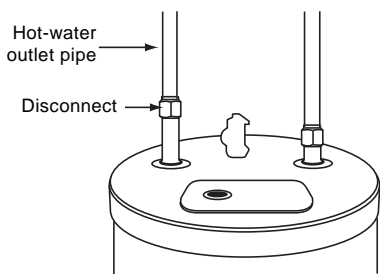


Fig. 1 Hot-water pipe disconnect of the water heater

TM05 8928 2913

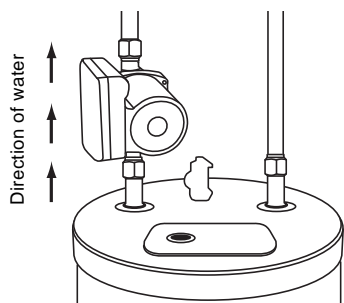


Fig. 2 Installing the pump onto the water heater outlet

TM07 1966 2418

4.3 Installing the bypass valve

! Do not use Teflon[®] tape or pipe joint compound, that is pipe dope, on the valve threads.

Tighten the flex hose connections by hand, plus 1/4 turn with a wrench.

! Overtightening the flex hose connections can result in damage to the bypass valve, causing the valve to leak, and in localized water damage.

! Use only the flex hoses provided in this kit. Using other manufactured flex hoses could result in damage to the bypass valve and void the product warranty.

! When connecting pipes, be sure to follow the pipe manufacturer's recommendations and all code requirements for pipe material.



Typically, the hot water is on the left side and the cold water is on the right side, when looking at the sink.

Valve location

For the greatest effect, the bypass valve must be located beneath a faucet with the greatest pipe distance from the water heater. If your home has a branched hot water line, more than one bypass valve may be necessary.

Disconnecting the risers

1. Close the angle stop valves for the hot and cold water below the sink; see fig. 3.
2. Disconnect the risers; see fig. 4.

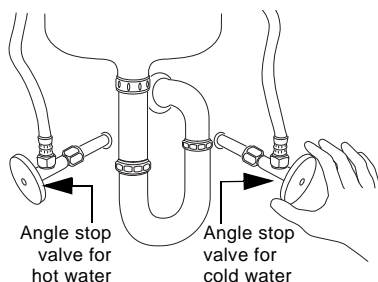


Fig. 3 Close the angle stop valves for the hot and cold water under the sink before installing the bypass valve

TM05 8974 3013

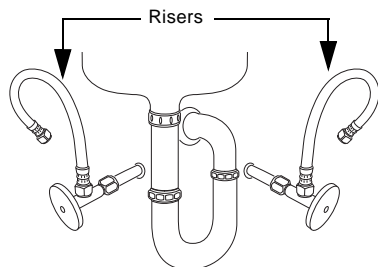


Fig. 4 Disconnect the risers before installing the bypass valve

TM05 8975 3013

Installing the bypass valve

1. Connect the flex hoses to the ports on the bypass valve marked "HOT OUT" and "COLD OUT". See fig. 5.
2. Connect the flex hoses to the ports on the bypass valve marked "HOT IN" and "COLD IN". See fig. 5.
3. Connect the hose fitting from the "HOT OUT" port on the bypass valve to the left side of the faucet. See fig. 5. If connecting to a 3/8" fitting, use adapters. Adapters are included with pumps with a production date code of 1841 [PC (year) (week)] or later on the pump's nameplate.
4. Connect the hose fitting from the "COLD OUT" port on the bypass valve to the right side of the faucet. See fig. 5. If connecting to a 3/8" fitting, use adapters. Adapters are included with pumps with a production date code of 1841 [PC (year) (week)] or later on the pump's nameplate.
5. Connect the hose fitting from the "HOT IN" port on the bypass valve to the left angle stop valve. See fig. 5.
6. Connect the hose fitting from the "COLD IN" port on the bypass valve to the right angle stop valve. See fig. 5.
7. Open the angle stop valves for both the hot and cold water. Check for leaks.
8. The bypass valve may be mounted to the wall with supplied mounting screws if desired; two-hole mounting bracket flush with wall. See fig. 6.

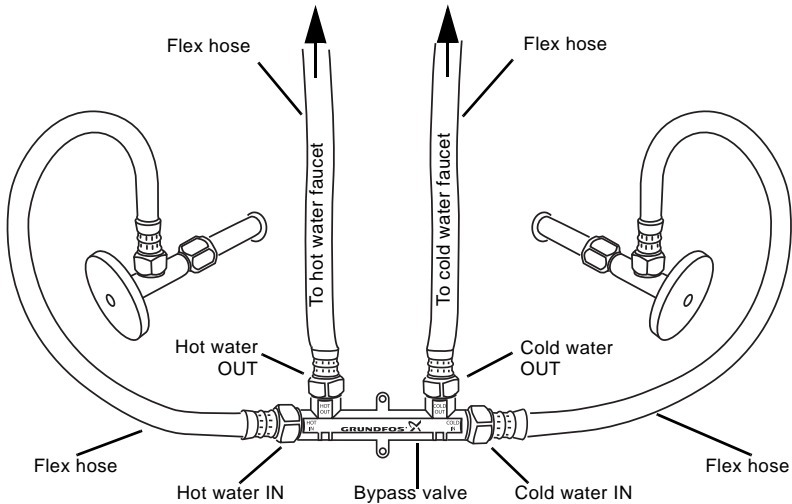


Fig. 5 Connect the bypass valve, flex hoses, and fittings as shown

TM05 8976 3013

4.4 Checking for proper pump and bypass valve operation

After installing the pump and the bypass valve, connect the pump to the power supply and check the installation as follows:

1. Close the angle stop valve for the cold water below the sink.
2. Open the cold-water faucet.
3. Check that when you turn on the cold-water faucet, the flow of cold water gradually decreases and stops as the bypass valve closes.
4. Check that when you turn on the hot-water faucet, hot water begins to flow quickly.
5. For troubleshooting, see section 8. *Fault finding the product.*

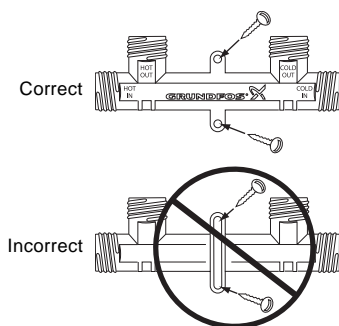


Fig. 6 Correct installation of the bypass valve

TM05 8977 3013

5. Starting up the product

5.1 Setting the timer

DANGER

Electric shock

Death or serious personal injury

- Do not plug this timer into an extension cord.
- Always plug the 3-prong plug directly into a properly grounded outlet. Never attempt to defeat this safety feature.
- Do not use the timer to control devices that could have dangerous consequences due to inaccurate timing, such as sun lamps, sauna, heaters, and crock pots.
- Follow all local electrical codes during use.



There are no user serviceable parts inside.



Before initial use, plug the timer into an AC outlet for at least 30 minutes to charge the internal battery. If the display is not visible, press [RESET] to restart the timer and erase all settings and events. You may unplug the timer from the AC outlet for easier setting.

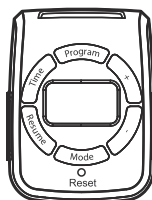


Fig. 7 Timer

TM07 1682 2018

5.1.1 Setting the time, date, DST (Daylight Saving Time), and region



When setting the timer, if you pause for more than 30 seconds, the timer will automatically return to normal time of day display.

1. Press [TIME]. A flashing 4-digit year appears.
2. Press [+] or [-] to set the current year and then press [TIME].
3. Press [+] or [-] to set the month ("01"=Jan, "12"=Dec) and then press [TIME].
4. Press [+] or [-] to set the day of the month.
5. Press [TIME] to set "DST" (Daylight Saving Time) function.
6. Press [+] or [-] to select "AUTO" (AUTO DST adjust enabled) or "OFF" (DST disabled).
NOTE: DST enables the timer to automatically move ahead 1 hour on the second Sunday in March at 02:00 AM and then automatically adjust back 1 hour on the first Sunday in November at 02:00 AM.
7. Press [TIME]. The hour digit flashes.
8. Press [+] or [-] to set the current hour, then press [TIME]. The minute digit flashes.
9. Press [+] or [-] to set the minute, then press [TIME].
10. Press [+] or [-] to set your current region. The map below will determine what region the timer is being used in. Once the region is selected, the timer will automatically set the sunrise and sunset time.

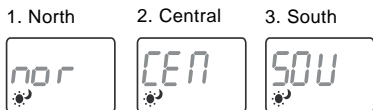


Fig. 8 Region selections



Fig. 9 Regions map

11. Press [TIME] to access the "AM" sunrise time screen.
12. Press [+] or [-] to adjust (± 2 hours) the sunrise operating time to match your local sunrise time. NOTE: Press [RESUME] to return to the original sunrise time.
13. Press [TIME] to access the "PM" sunset time screen.
14. Press [+] or [-] to adjust (± 2 hours) the sunset operating time to match your local sunset time. NOTE: Press [RESUME] to return to the original sunset time.
15. Press [TIME] to return to the time (main) screen.



5.1.2 Setting/reviewing/changing the ON/OFF events

1. Press [PROGRAM] to access the ON/OFF event screens.
2. To set your timer the first time, go to step 4. You will be setting ON event # 1.
3. To review existing ON/OFF settings, repeatedly press [PROGRAM] to see up to seven ON/OFF event pairs. Dashes mean the displayed event is not set. To delete an unwanted event press [RESUME]. To change an event, go to step 4. To exit the event setting mode, press [MODE] once or press [PROGRAM] repeatedly until the event number disappears or wait 30 seconds for the timer to automatically return to the main screen.
4. If dashes are displayed, press [TIME] to change the dashes to an event with flashing day(s). Note that the events are numbered "1" through "7", "ON" or "OFF".

5. Press [+] or [-] to select the (flashing) day(s) on which the displayed event must run:
 - One day only:
Select "MO" or "TU" or "WE" ... or "SU", etc.
 - Every day:
Select "MO TU WE TH FR SA SU"
 - Weekdays only:
Select "MO TU WE TH FR"
 - Weekend only:
Select "SA SU"
6. Press [TIME] to make the hour digits flash. To set this event to occur at a specific time of day, skip to step 9. To set this event to happen at sunrise or sunset, proceed to step 7.
7. Press [+] or [-] to scroll to one of the 2 screens with moon and sun icons flashing and "AM" or "PM" flashing. The "AM" plus icons screen means this event will happen at sunrise. The "PM" plus icons means this event will happen at sunset.
8. Press [PROGRAM] to accept the sunrise/sunset setting and advance to the next event screen. To add more events, go back to step 4. If all desired events have been set, go to step 14.
9. Press [+] or [-] to scroll to the desired starting hour for the event.
10. Press [TIME] to make the minute digits flash.
11. Press [+] or [-] to scroll to the desired starting minute for the event.
12. Press [PROGRAM] to advance to the next event screen.
13. Repeat steps 4 through 13 until all desired ON/OFF events have been set.
14. Repeat step 3 to check all your settings and exit the event setting mode.

5.1.3 Setting the timer operating mode

1. Press [MODE] to scroll to the desired operating mode. See below for a description of each mode.
 - "ON": Manual ON mode is selected. The device will stay ON.
 - "AUTO ON": Automatic mode is selected and the device is ON. The device will stay ON until the next OFF event.
 - "RDM ON": Random mode is selected and the device is ON. The device will stay ON until the next OFF event.
NOTE: When "RDM" (random mode) is selected, the device will operate \pm 30 minutes from the scheduled ON/OFF event settings to provide a lived-in look.
 - "OFF": Manual OFF mode is selected. The device will stay OFF.
 - "AUTO OFF": Automatic mode is selected and the device is OFF. The device will stay OFF until the next ON event.
 - "RDM OFF": Random mode is selected and the device is OFF. The device will stay OFF until the next ON event.
2. Plug the pump into the timer.
3. Plug the timer into the electrical outlet.

6. Product introduction

A Grundfos Comfort System hot-water recirculation system brings hot water in an instant to the hot-water faucets in your home.

Since the system utilizes the existing cold-water return line in the home, no separate new return line is required. No electrical power is required under the sink.

The Grundfos Comfort System includes a circulator pump that you install on the water heater in your home, and a valve that you install at the furthest faucet.

The direction of flow moves from the water heater through the recirculation pump, through the hot-water supply line, and then back to the water heater through the existing cold-water return line.



TM07 2128 2817

Fig. 10 Grundfos Comfort System

Pos.	Description
1	Pump body
2	Faceplate
3	Flex hoses
4	Under-sink, bypass valve
5	Power cable
6	Timer
7	3/4" NPT outlet port

6.1 Intended use

WARNING



Fire and explosion

Death or serious personal injury
 - Do not use the pump for flammable, combustible or explosive liquids such as diesel oil, gasoline, or similar liquids.

WARNING



Electric shock

Death or serious personal injury
 - For indoor use only.
 - This pump has not been investigated for use in swimming pool or marine areas.



For indoor potable water use only.

6.2 Pumped liquids

Grundfos Comfort System is intended for indoor residential potable drinking water use only and is to be considered where there is no hot-water return line available.

The pump is lubricated and cooled by the liquid being pumped. Therefore, the pumped liquid must be allowed to circulate through the pump while it is in operation.

6.3 Identification

The pump nameplate shows information about the electrical requirements of the pump. Verify that the pump will be supplied with the proper voltage, phase, and frequency during operation. The motor of the pump is designed to run on $\pm 10\%$ of the voltage shown on the nameplate.

6.4 Approvals

**ANSI/NSF61
ANSI/NSF372**
Comfort Pump
Comfort Valve



**UL/cUL
(Electrical Safety)**
Comfort Pump



IAPMO (UPC)
Comfort Pump with
Comfort Valve (Comfort
System)



IAPMO (cUPC)
Comfort Valve



7. Servicing the product

Grundfos Comfort System is maintenance free. No service is required.

8. Fault finding the product

Fault	Cause	Remedy
1. The pump does not run.	a) The pump is not connected to the power supply.	Connect the pump to the power supply.
	b) The circuit breaker has tripped.	Cut in the circuit breaker.
	c) The pump is defective.	Replace the pump.
2. There is no hot water at the faucet or too much hot water on the cold water side.	a) The valve is not installed properly.	Review the bypass valve installation instructions in section 4.3 Installing the bypass valve . See section 6. Product introduction . If necessary, reinstall the thermal bypass valve.

9. Technical data

System	Max. storage temperature:	170 °F (76 °C)
	Ambient temperature:	-4 to +175 °F (-20 to +80 °C)
UP15-10SU7P/TLC	System type:	Open - residential potable
	Flow range:	0 - 6.3 gpm (0 - 1.4 m ³ /h)
	Head range:	0 - 5.1 ft (0 - 1.5 m)
	Motor:	Single-phase, 60 Hz
	Max. working pressure:	145 psi (10 bar)
	Min. working pressure:	Min. system pressure
	Max. liquid temperature:	150 °F (66 °C)
	Min. liquid temperature:	36 °F (2 °C)
	Connection:	3/4" M x 3/4" F NPT
	Bypass valve	Connections:
		Ratings:
Timer	Supply voltage:	125 VAC, 60 Hz, 15 A, 1875 W resistive 8 A, 1000 W tungsten, 500 VA electronic ballast
		120 VAC, 60 Hz, 8.3 A standard ballast 1/2 HP motor load
	Contact rating:	15 amps

10. Disposing of the product

This product or parts of it must be disposed of in an environmentally sound way:

1. Use the public or private waste collection service.
2. If this is not possible, contact the nearest Grundfos company or service workshop.

Français (CA) Notice d'installation et de fonctionnement

Traduction de la version anglaise originale

Cette notice d'installation et de fonctionnement décrit le système Grundfos Comfort.

Les sections 1 à 5 fournissent les informations nécessaires pour déballer, installer et démarrer le produit en toute sécurité.

Les sections 6 à 10 donnent des informations importantes sur le produit, ainsi que sur la maintenance, le dépannage et la mise au rebut du produit.

Sommaire

	Page
1. Garantie limitée	13
2. Généralités	14
2.1 Mentions de danger	14
2.2 Remarques	14
3. Réception du produit	14
3.1 Inspection du produit	14
3.2 Contenu de la boîte de livraison	14
4. Installation du produit	15
4.1 Raccordements tuyauterie	15
4.2 Installation du circulateur	15
4.3 Installation de la soupape de dérivation	16
4.4 Vérification du fonctionnement adéquat du circulateur et de la soupape de dérivation	18
5. Démarrage du produit	18
5.1 Réglage du minuteur	18
6. Introduction au produit	21
6.1 Usage prévu	21
6.2 Liquides pompés	21
6.3 Identification	21
6.4 Approbations	21
7. Maintenance du produit	21
8. Détection des défauts de fonctionnement du produit	22
9. Caractéristiques techniques	22
10. Mise au rebut du produit	22



Avant de procéder à l'installation, lire attentivement cette notice. L'installation et le fonctionnement doivent être conformes à la réglementation locale et aux règles de bonne pratique en vigueur.



Un bon fonctionnement dépend de l'attention particulière accordée aux procédures décrites dans ce manuel. Conservez ce manuel pour une utilisation future.

1. Garantie limitée

Les produits fabriqués par Grundfos Pumps Corporation (Grundfos) sont garantis, uniquement pour l'utilisateur initial, exempts de défauts de matériaux et de fabrication pour une période de 24 mois à compter de la date d'installation, mais au plus 30 mois à compter de la date de fabrication. Dans le cadre de cette garantie, la responsabilité de Grundfos se limite à la réparation ou au remplacement, à la convenance de Grundfos, sans frais, F.O.B. de l'usine Grundfos ou d'un atelier de maintenance autorisé, de tout produit de fabrication Grundfos. Grundfos n'assume aucune responsabilité quant aux frais de dépose, d'installation, de transport ou pour toute autre charge pouvant survenir en relation avec une réclamation au titre de la garantie.

Les produits vendus mais non fabriqués par Grundfos sont couverts par la garantie fournie par le fabricant des dits produits et non par la garantie de Grundfos.

Grundfos n'est responsable ni des dommages ni de l'usure des produits causés par des conditions d'exploitation anormales, un accident, un abus, une mauvaise utilisation, une altération ou une réparation non autorisée, ou par une installation du produit non conforme aux notices d'installation et de fonctionnement imprimées de Grundfos ainsi qu'aux codes de bonnes pratiques communément acceptés. La garantie ne couvre pas l'usure normale.

Pour bénéficier de la garantie, il faut renvoyer le produit défectueux au distributeur ou au revendeur de produits Grundfos chez qui il a été acheté, accompagné de la preuve d'achat, de la date d'installation, de la date du dysfonctionnement ainsi que des données concernant l'installation. Sauf disposition contraire, le distributeur ou le revendeur contactera Grundfos ou un atelier de maintenance autorisé pour obtenir des instructions. Tout produit défectueux renvoyé à Grundfos ou à un atelier de maintenance doit être expédié port payé ; la documentation relative à la déclaration de demande de garantie et à une autorisation de retour de matériel éventuelle doit être jointe, si elle est demandée.

Grundfos n'assume aucune responsabilité en cas de dommages indirects ou consécutifs, de pertes ou de dépenses résultant de l'installation, de l'utilisation ou de toute autre cause. Il n'existe aucune garantie, explicite ni implicite, y compris la qualité marchande ou l'adéquation pour un usage particulier, en dehors des garanties décrites ou mentionnées ci-dessus. Certaines juridictions n'autorisent pas l'exclusion ou la limitation des dommages indirects ou consécutifs, et certaines juridictions ne permettent pas de limiter la durée des garanties implicites. Il se peut donc que les limitations ou exclusions mentionnées ci-dessus ne soient pas applicables dans votre cas. Cette garantie vous donne des

droits légaux spécifiques. Il se peut que vous ayez également d'autres droits qui varient d'une juridiction à l'autre.

Les produits qui sont réparés ou remplacés par Grundfos ou par atelier de maintenance autorisé, en vertu des dispositions de ces conditions de garantie limitée, continueront à être couverts par la garantie Grundfos uniquement pendant le reste de la période de garantie initialement fixée à la date d'achat d'origine.

2. Généralités

2.1 Mentions de danger

Les symboles et les mentions de danger ci-dessous peuvent apparaître dans la notice d'installation et de fonctionnement, dans les consignes de sécurité et les instructions de service Grundfos.



DANGER

Indique une situation dangereuse qui, si elle n'est pas évitée, entraînera des blessures graves ou la mort.



AVERTISSEMENT

Indique une situation dangereuse qui, si elle n'est pas évitée, peut entraîner des blessures graves ou la mort.



PRUDENCE

Indique une situation dangereuse qui, si elle n'est pas évitée, peut entraîner des blessures légères ou modérées.

Les mentions de danger sont structurées de la manière suivante :

TERME DE SIGNALLEMENT



Description du danger

Conséquence de la non-observance de l'avertissement.

- Mesures pour éviter le danger.

2.2 Remarques

Les symboles et les remarques ci-dessous peuvent apparaître dans la notice d'installation et de fonctionnement, dans les consignes de sécurité et les instructions de service Grundfos.



Observer ces instructions pour les produits antidéflagrants.



Un cercle bleu ou gris autour d'un pictogramme blanc indique qu'il faut agir.



Un cercle rouge ou gris avec une barre diagonale, éventuellement avec un symbole graphique noir, indique qu'une mesure ne doit pas être prise ou doit être arrêtée.



Le non-respect de ces consignes peut entraîner des dysfonctionnements ou endommager l'équipement.



Conseils et astuces pour faciliter les opérations.

3. Réception du produit

3.1 Inspection du produit

Vérifier que le produit reçu est conforme à la commande.

Vérifier que la tension et la fréquence du produit correspondent à celles du site d'installation. Pour plus d'informations sur la plaque signalétique, voir section [6.3 Identification](#).

Examiner soigneusement le produit afin de s'assurer qu'il n'a subi aucun dommage pendant le transport. S'assurer que le circulateur ne tombe pas à terre et qu'il soit manipulé avec soin. En cas de chute, le circulateur sera endommagé.

3.2 Contenu de la boîte de livraison

L'emballage contient les éléments suivants :

- un circulateur Grundfos UP15 avec cordon d'alimentation ;
- un minuteur 24 heures ;
- une soupape de dérivation, sous évier ;
- deux vis de montage de la soupape ;
- deux tuyaux flexibles ;
- deux adaptateurs, si équipé ;
- une notice d'installation et de fonctionnement.

4. Installation du produit

AVERTISSEMENT

Eau chaude

Blessures corporelles graves à modérées



- Faire très attention au risque de blessures dues à l'eau brûlante.
- Après l'installation, vous pouvez trouver de l'eau chaude dans le conduit d'eau froide de l'évier où la soupape est installée. Une fois le conduit d'eau froide ouvert, l'eau chaude se dissipera en très peu de temps.

AVERTISSEMENT

Choc électrique

Blessures graves ou mort



- Avant toute intervention sur le produit, couper l'alimentation électrique. S'assurer que l'alimentation électrique ne risque pas d'être branchée accidentellement.

AVERTISSEMENT

Choc électrique

Blessures graves ou mort



- Pour une utilisation à l'intérieur uniquement.
- Ce circulateur n'est pas homologué pour une utilisation en piscine ou dans les zones maritimes.

AVERTISSEMENT

Choc électrique

Blessures graves ou mort



- Ne pas mettre le produit sous tension avant qu'il soit correctement installé.

AVERTISSEMENT

Choc électrique

Blessures graves ou mort



- S'assurer que le conducteur de mise à la terre du circulateur est connecté uniquement à une prise de terre correctement mise à la terre.
- Pour un fonctionnement sécurisé, le circulateur doit être mis à la terre conformément aux codes et règlements nationaux, provinciaux et locaux en vigueur.

Avant l'installation, consulter les procédures d'installation de ce document pour garantir une installation correcte et sûre. Le non-respect des procédures décrites dans ce document peut affecter la garantie et causer des dommages matériels par inadvertance.

La tension de fonctionnement et les autres données électriques sont indiquées sur la plaque signalétique du moteur. S'assurer que le moteur est compatible avec l'alimentation électrique avec laquelle il sera utilisé.

4.1 Raccordements tuyauterie



Lors des raccords de tuyauterie, bien suivre les recommandations du fabricant de tuyaux et toutes les exigences du code pour la tuyauterie.



Ne pas utiliser de ruban Teflon® ou un composant pour joint de tuyau, car il y a de la pâte à joint sur le filetage de la soupape.

4.2 Installation du circulateur

1. Fermer la soupape d'alimentation en eau du chauffe-eau, généralement située au-dessus du chauffe-eau, sur l'entrée d'eau froide.
2. Vidanger l'eau du tuyau d'eau chaude en ouvrant un robinet d'eau dans la maison. Laisser couler l'eau jusqu'à ce que cela ne coule plus. Puis vider l'eau restante depuis le robinet du chauffe-eau. Ne pas omettre de laisser le robinet ouvert jusqu'à ce que l'installation du circulateur soit terminée. Si l'eau ne s'arrête pas de couler, vérifier que l'alimentation en eau du chauffe-eau a été complètement fermée.
3. Débrancher le tuyau d'eau chaude de la sortie d'eau chaude du chauffe-eau. Voir fig. 1.
4. Installer le circulateur sur la sortie du chauffe-eau, en utilisant le raccord femelle 3/4 po et le joint fourni sur le circulateur. Vérifier que l'arbre du circulateur est horizontal. Installer le circulateur de manière à ce qu'il pompe depuis le chauffe-eau vers l'habitation. Se référer à la flèche sur le côté du corps du circulateur. S'assurer que le circulateur ne touche pas le conduit d'évacuation (cheminée) du chauffe-eau alimenté au gaz ou au mazout. chauffe-eau. Voir fig. 2.
5. Raccorder le conduit d'eau chaude à la sortie 3/4 po NPT du circulateur. Utiliser un composant pour joint de tuyau, à savoir de la pâte à joint ou un ruban Teflon® pour sceller le filetage lors du branchement à un raccord femelle NPT 3/4 po. Si l'on utilise un connecteur de chauffe-eau en cuivre, à joint d'étanchéité flexible, le composant pour joint de tuyau, à savoir de la pâte à joint ou du ruban Teflon®, n'est pas nécessaire.
6. Rouvrir la soupape d'alimentation en eau du chauffe-eau et laisser l'eau couler, jusqu'à ce que l'air soit complètement purgé des tuyaux.
7. Fermer le robinet à l'intérieur de l'habitation.
8. Brancher la minuterie dans une prise de 115 V. Brancher le câble d'alimentation de la pompe dans la prise de la minuterie. S'assurer que le câble d'alimentation ne touche pas le conduit d'évacuation du chauffe-eau ali-

menté au gaz ou au mazout.

- Utiliser le minuteur pour régler le circulateur afin qu'il fonctionne lorsque vous en avez le plus besoin, à savoir environ 30 minutes avant la première douche et jusqu'à 15 minutes après la dernière douche. Voir section 5.1 *Réglage du minuteur*.

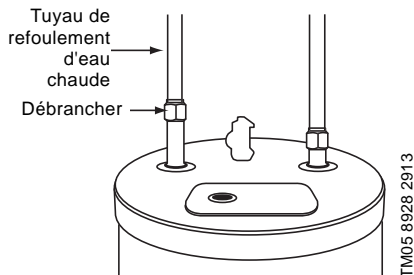


Fig. 1 Débrancher le tuyau de refoulement d'eau chaude du chauffe-eau.

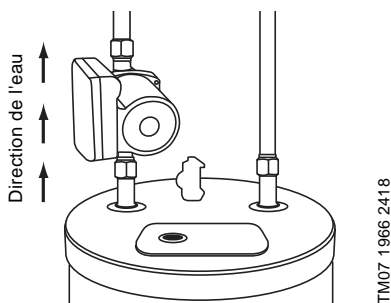


Fig. 2 Installation du circulateur sur la sortie du chauffe-eau

4.3 Installation de la soupape de dérivation

Ne pas utiliser de rubanTeflon® ou un composant pour joint de tuyau, car il y a de la pâte à joint sur le filetage de la soupape.

Serrer les branchements de tuyau flexible à la main, plus 1/4 de tour avec une clé.

Si les branchements du tuyau flexible sont trop serrés, cela peut entraîner des dommages à la soupape de dérivation, provoquant des fuites et des dégâts d'eau localisés.

Utiliser uniquement les tuyaux flexibles fournis dans cette trousse. L'utilisation de tuyaux flexibles d'autre fabrication peut endommager la soupape de dérivation, et ainsi annuler la garantie du produit.



Lors des raccords de tuyauterie, bien suivre les recommandations du fabricant de tuyaux et toutes les exigences du code pour la tuyauterie.



Généralement, l'eau chaude est sur le côté gauche et l'eau froide sur le côté droit, en regardant l'évier.

Emplacement de la vanne

Pour le meilleur effet, la soupape de dérivation doit être placée sous un robinet, à la plus grande distance du tuyau du chauffe-eau. Si la maison est raccordée à un conduit d'eau chaude, plus d'une soupape de dérivation peut être nécessaire.

Débranchement des conduits ascendants

- Fermer les robinets d'arrêt d'équerre pour l'eau chaude et froide sous l'évier ; voir fig. 3.
- Débrancher les conduits ascendants ; voir fig. 4.

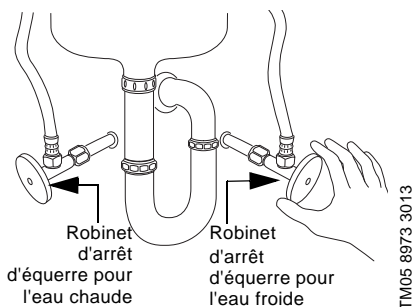


Fig. 3 Avant d'installer la soupape de dérivation, fermer les robinets d'arrêt d'équerre pour l'eau chaude et froide.

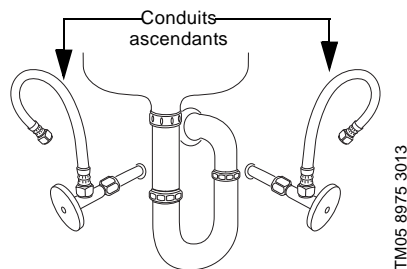


Fig. 4 Avant d'installer la soupape de dérivation, débrancher les conduits ascendants

Installation de la soupape de dérivation

1. Raccorder les tuyaux flexibles aux ports de la soupape de dérivation marqués « HOT OUT » et « COLD OUT ». Voir fig. 5.
2. Raccorder les tuyaux flexibles aux ports de la soupape de dérivation marqués « HOT IN » et « COLD IN ». Voir fig. 5.
3. Raccorder le raccord de tuyau du port « HOT OUT » de la soupape de dérivation au côté gauche du robinet. Voir fig. 5. Si vous vous raccordez à une connexion de 3/8", utilisez des adaptateurs. Les adaptateurs sont fournis avec les pompes avec un code de date de production de 1841 [PC (année) (semaine)] ou plus tard sur la plaque signalétique de la pompe.
4. Raccorder le raccord de tuyau du port « COLD OUT » de la soupape de dérivation au côté droit du robinet. Voir fig. 5. Si vous
5. Raccorder le raccord de tuyau du port « COLD IN » de la soupape de dérivation à la vanne d'arrêt d'angle droit. Voir fig. 5.
6. Ouvrir les soupapes d'arrêt d'angle pour l'eau chaude et froide. Vérifier les fuites éventuelles.
7. Si nécessaire, la soupape de dérivation peut être montée sur un mur avec les vis de montage fournies ; support de montage à deux trous, à niveau avec le mur. Voir fig. 6.

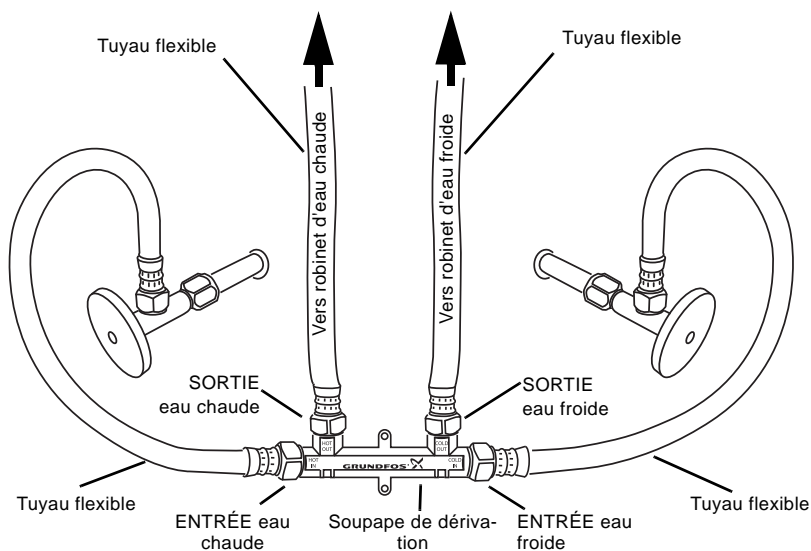


Fig. 5 Brancher la soupape de dérivation, les tuyaux flexibles et les raccords, comme indiqué

4.4 Vérification du fonctionnement adéquat du circulateur et de la soupape de dérivation

Après l'installation du circulateur et de la soupape de dérivation, brancher le circulateur à l'alimentation électrique et vérifier l'installation comme suit :

1. Fermer la soupape d'arrêt d'angle pour l'eau froide sous l'évier.
2. Ouvrir le robinet d'eau froide.
3. Vérifier que, lorsque vous ouvrez le robinet d'eau froide, le débit de l'eau froide diminue progressivement et s'arrête comme la soupape de dérivation se ferme.
4. Vérifier que, lorsque vous ouvrez le robinet d'eau chaude, l'eau chaude commence à couler rapidement.

Pour le dépannage, voir section 8. *Détection des défauts de fonctionnement du produit.*

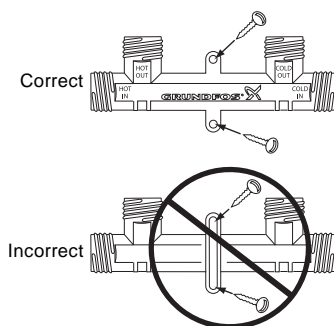


Fig. 6 Installation correcte de la soupape de dérivation

5. Démarrage du produit

5.1 Réglage du minuteur

AVERTISSEMENT

Choc électrique

Blessures graves ou mort

- Ne pas brancher cette minuterie sur un cordon de rallonge.
- Toujours brancher la fiche à trois broches directement dans une prise correctement mise à la terre. Ne jamais tenter d'aller à l'encontre de ce dispositif de sécurité.
- Ne pas utiliser la minuterie pour contrôler des appareils qui pourraient avoir de dangereuses conséquences en raison d'un calcul de temps inexact, tels que lampes solaires sauna, appareils de chauffage, mijoteuses, etc.
- Respecter tous les codes d'électricité locaux pendant l'emploi.



Il n'y a pas de pièces réparables par l'utilisateur à l'intérieur.



Avant la première utilisation, brancher la minuterie dans une prise de courant secteur pendant au moins 30 minutes pour charger la batterie interne. Si l'affichage n'est pas visible, appuyer sur [RESET] pour redémarrer la minuterie et effacer tous les réglages et événements. La minuterie peut être débranchée de la prise de courant pour faciliter les réglages.



Fig. 7 Minuterie

TM07 1682 2018

5.1.1 Régler l'heure, la date, l'heure d'été et la région



Durant le réglage de la minuterie, s'il s'écoule plus de 30 secondes d'inactivité, la minuterie retourne automatiquement à l'affichage normal de l'heure de la journée.

1. Appuyer sur [TIME]. L'année à 4 chiffres s'affiche en clignotant.
2. Appuyer sur [+] ou [-] pour sélectionner l'année en cours puis appuyer sur [TIME].
3. Appuyer sur [+] ou [-] pour régler le mois (« 01 »=jan, « 12 »=déc) puis appuyer sur [TIME].
4. Appuyer sur [+] ou [-] pour régler le jour du mois.
5. Appuyer sur [TIME] pour régler la fonction d'heure d'été (DST).
6. Appuyer sur [+] ou [-] pour sélectionner « AUTO » (AUTO DST activé) ou « OFF » (DST désactivé).
REMARQUE : Lorsque la fonction DST est activée, la minuterie avance automatiquement de 1 heure, le deuxième dimanche de mars à 2h00 du matin, et revient de 1 heure en arrière, le premier dimanche de novembre à 2h00.
7. Appuyer sur [TIME]. Les chiffres des heures clignotent.
8. Appuyer sur [+] ou [-] pour sélectionner l'heure en cours puis appuyer sur [TIME]. Les chiffres des minutes clignotent.
9. Appuyer sur [+] ou [-] pour régler les minutes puis appuyer sur [TIME].
10. Appuyer sur [+] ou [-] pour sélectionner la région d'installation. La carte ci-dessous permet d'identifier la région d'utilisation de la minuterie. Une fois la région sélectionnée, la minuterie définit automatiquement l'heure de lever et de coucher du soleil.



1. NORD : 2. CENTRE : 3. SUD :



Fig. 8 Sélection de région



Fig. 9 Carte des régions

11. Appuyer sur [TIME] pour accéder à l'écran d'heure de lever du soleil.
12. Appuyer sur [+] ou [-] pour adapter (de ± 2 heures) l'heure de lever du soleil de la minuterie sur le lever du soleil local. REMARQUE : Appuyer sur [RESUME] pour retourner à l'heure originale de lever du soleil.
13. Appuyer sur [TIME] pour accéder à l'écran d'heure de coucher du soleil.
14. Appuyer sur [+] ou [-] pour adapter (de ± 2 heures) l'heure de coucher du soleil de la minuterie sur le coucher du soleil local. REMARQUE : Appuyer sur [RESUME] pour retourner à l'heure originale de coucher du soleil.
15. Appuyer sur [TIME] pour retourner à l'écran (principal) de l'heure.



TM07 1683 2018

TM07 1684 2018

TM07 1685 1820

TM07 1686 2018

5.1.2 Configurer/examiner/modifier les événements ON/OFF

1. Appuyer sur [PROGRAM] pour accéder aux écrans d'événements ON/OFF.
2. Pour régler la minuterie la première fois, aller à l'étape 4. Cela configurera l'événement ON n° 1.
3. Pour examiner les réglages ON/OFF, appuyer de façon répétée sur [PROGRAM] pour afficher jusqu'à 7 paires d'événements ON/OFF. Les tirets signifient que l'événement n'est pas configuré. Pour supprimer un événement, appuyer sur [RESUME]. Pour modifier un événement, aller à l'étape 4. Pour quitter le mode de configuration des événements, appuyer une fois sur [MODE] ou appuyer de façon répétée sur [PROGRAM] jusqu'à ce que le numéro d'événement disparaisse, ou patienter 30 secondes que la minuterie revienne automatiquement à l'écran principal.
4. Si des tirets s'affichent, appuyer sur [TIME] pour changer les tirets en événement avec le(s) jour(s) clignotant(s). On notera que les événements sont numérotés de « 1 » à « 7 », « ON » ou « OFF ».
5. Appuyer sur [+] ou [-] pour sélectionner le(s) jour(s) (clignotants) où l'événement affiché doit s'exécuter :
 - Un seul jour : Sélectionner « MO », « TU », « WE » ... ou « SU ».
 - Tous les jours : Sélectionner « MO TU WE TH FR SA SU »
 - Jours de semaine seulement : Sélectionner « MO TU WE TH FR »
 - Fins de semaine seulement : Sélectionner « SA SU »
6. Appuyer sur [TIME] pour faire clignoter les chiffres des heures. Pour régler l'événement sur une heure spécifique de la journée, passer directement à l'étape 9. Pour régler l'événement sur le lever ou le coucher du soleil, passer à l'étape 7.
7. Appuyer sur [+] ou [-] pour avancer jusqu'à l'un des 2 écrans avec les icônes de lune et de soleil clignotantes, et « AM » ou « PM » clignotant. L'écran avec « AM » et ces icônes signifie que l'événement se produira au lever du soleil. L'écran avec « PM » et ces icônes signifie qu'il se produira au coucher du soleil.
8. Appuyer sur [PROGRAM] pour accepter le réglage de lever/coucher du soleil et passer à l'écran de l'événement suivant. Pour ajouter d'autres événements, revenir à l'étape 4. Si tous les événements souhaités sont configurés, aller à l'étape 14.
9. Appuyer sur [+] ou [-] pour avancer jusqu'à l'heure de début souhaitée pour l'événement.
10. Appuyer sur [TIME] pour faire clignoter les chiffres des minutes.

11. Appuyer sur [+] ou [-] pour avancer jusqu'à la minute de début souhaitée pour l'événement.
12. Appuyer sur [PROGRAM] pour avancer jusqu'à l'écran de l'événement suivant.
13. Répéter les étapes 4 à 13 jusqu'à ce que tous les événements ON/OFF souhaités soient configurés.
14. Répéter l'étape 3 pour vérifier tous les réglages et quitter le mode de configuration des événements.

5.1.3 Configurer le mode de fonctionnement de la minuterie

1. Appuyer sur [MODE] pour avancer jusqu'au mode de fonctionnement souhaité. Voir la description de chaque mode ci-dessous.
 - « ON » - Le mode ON manuel est sélectionné. L'appareil reste en marche (ON).
 - « AUTO ON » : Le mode AUTOMATIQUE est sélectionné et l'appareil est en marche (ON). L'appareil reste en marche (ON) jusqu'à l'événement OFF suivant.
 - « RDM ON » : Le mode ALÉATOIRE est sélectionné et l'appareil est en marche (ON). L'appareil reste en marche (ON) jusqu'à l'événement OFF suivant. REMARQUE : Lorsque « RDM » (mode ALÉATOIRE) est sélectionné, l'appareil fonctionne dans une marche de +/- 30 minutes par rapport aux réglages des événements ON/OFF afin de créer une apparence « habitée ».
 - « OFF » : Le mode OFF manuel est sélectionné. L'appareil reste à l'arrêt (OFF).
 - « AUTO OFF » : Le mode AUTOMATIQUE est sélectionné et l'appareil est à l'arrêt (OFF). L'appareil reste à l'arrêt (OFF) jusqu'à l'événement ON suivant.
 - « RDM OFF » : Le mode ALÉATOIRE est sélectionné et l'appareil est à l'arrêt (OFF). L'appareil reste à l'arrêt (OFF) jusqu'à l'événement ON suivant.
2. Brancher l'appareil souhaité sur la minuterie.
3. Brancher la minuterie sur une prise de courant.

6. Introduction au produit

Le système de recirculation d'eau chaude Grundfos Comfort fournit en un instant de l'eau chaude aux robinets de votre habitation.

Le système utilise le conduit de retour d'eau froide existant dans la maison ; il n'est pas nécessaire d'installer un nouveau conduit de retour. Aucune alimentation électrique n'est requise sous l'évier.

Le système Grundfos Comfort comprend un circulateur à installer sur le chauffe-eau de votre habitation, ainsi qu'une soupape à installer au robinet le plus éloigné.

Le flux se déplace du chauffe-eau à travers la pompe de recirculation, puis dans le conduit d'alimentation en eau chaude, pour revenir au chauffe-eau à travers le conduit de retour d'eau froide existant.



Fig. 10 Système Grundfos Comfort

TM07 2128 2817

Pos.	Description
1	Corps de pompe
2	Plaque frontale
3	Tuyaux flexibles
4	Sous évier, soupape de dérivation
5	Câble d'alimentation
6	Minuteur
7	Orifice de refoulement NPT 3/4"

6.1 Usage prévu

AVERTISSEMENT



Incendie et explosion

Blessures graves ou mort
 - Ne pas utiliser le circulateur pour les liquides inflammables, combustibles ou explosifs, tels que le diesel, l'essence ou d'autres liquides similaires.

AVERTISSEMENT



Choc électrique

Blessures graves ou mort
 - Pour une utilisation à l'intérieur uniquement.
 - Ce circulateur n'est pas homologué pour une utilisation en piscine ou dans les zones maritimes.



Pour l'utilisation d'eau potable à l'intérieur seulement.

6.2 Liquides pompés

Le système Grundfos Comfort est conçu uniquement pour l'utilisation à l'intérieur de l'eau potable à usage résidentiel. Il doit être pris en considération lorsqu'il n'y a pas de conduit de retour disponible pour l'eau chaude.

Le circulateur est lubrifié et refroidi par le liquide pompé. Par conséquent, le liquide pompé doit toujours pouvoir circuler à travers le circulateur lorsqu'il fonctionne.

6.3 Identification

La plaque signalétique du circulateur contient des informations sur les exigences électriques du circulateur. Lors du fonctionnement, vérifier que le circulateur est alimenté à la tension, à la phase et à la fréquence appropriés.

Le moteur du circulateur est conçu pour fonctionner à $\pm 10\%$ de la tension indiquée sur la plaque signalétique.

6.4 Approbations

**ANSI/NSF61
 ANSI/NSF372**
 Circulateur Comfort
 Soupape Comfort



**UL/cUL
 (Sécurité électrique)**
 Circulateur Comfort



IAPMO (UPC)
 Circulateur Comfort
 avec soupape Comfort
 (système Comfort)



IAPMO (cUPC)
 Soupape Comfort



7. Maintenance du produit

Le système Grundfos Comfort est exempt de maintenance. Aucune maintenance nécessaire.

8. Détection des défauts de fonctionnement du produit

Défaut	Cause	Solution
1. La pompe ne fonctionne pas.	a) La pompe n'est pas correctement branchée à l'alimentation électrique.	Raccorder la pompe à l'alimentation électrique.
	b) Le disjoncteur s'est déclenché.	Couper le disjoncteur.
	c) La pompe est défectueuse.	Remplacer la pompe.
2. Il n'y a pas d'eau chaude au robinet ou il y a trop d'eau chaude sur le côté de l'eau froide.	a) La soupape n'est pas correctement installée.	Se reporter à la notice d'installation de la soupape de dérivation en section 4.3 Installation de la soupape de dérivation . Voir section 6. Introduction au produit . Si nécessaire, réinstaller la soupape de dérivation thermique.

9. Caractéristiques techniques

Système	Température de stockage max. :	170 °F (76 °C)
	Température ambiante :	-4 à +175 °F (-20 à +80 °C)
	Type de système :	Ouvert - résidentiel potable
UP15-10SU7P/TLC	Plage de débit :	0 - 6.3 gpm (0 - 1.4 m ³ /h)
	Plage de hauteur :	0 - 5.1 pi (0 - 1.5 m)
	Moteur :	Monophasé, 60 Hz
	Pression de travail max. :	145 psi (10 bar)
	Pression de travail min. :	Pression de service min.
	Température max. du liquide :	150 °F (66 °C)
	Température min. du liquide :	36 °F (2 °C)
Raccord :	3/4" M x 3/4" F NPT	
Soupape de dérivation	Raccords :	1/2" NPSM
Minuteur	Tension d'alimentation :	Évaluations: 125 VAC, 60 Hz, 15 A, 1875 W résistif 8 A, tungstène 1000 W, ballast électronique 500 VA
		120 VCA, 60 Hz, 8.3 A ballast standard Charge de moteur 1/2 HP
	Contact :	15 ampères

10. Mise au rebut du produit

Ce produit ou des parties de celui-ci doit être mis au rebut tout en préservant l'environnement :

- Utiliser le service local public ou privé de collecte des déchets.
- Si ce n'est pas possible, envoyer ce produit à Grundfos ou au réparateur agréé Grundfos le plus proche.

Español (MX) Instrucciones de instalación y operación

Traducción de la versión original en inglés

Estas instrucciones de instalación y operación describen el sistema Grundfos Comfort.

Las secciones 1-5 proporcionan la información necesaria para desempacar, instalar y poner en marcha el producto de forma segura.

Las secciones 6-10 contienen información importante acerca del producto, su mantenimiento, la búsqueda de fallas y su eliminación.

Contenido

	Página
1. Garantía limitada	23
2. Información general	24
2.1 Indicaciones de peligro	24
2.2 Notas	24
3. Recepción del producto	24
3.1 Inspección del producto	24
3.2 Contenido del paquete	24
4. Instalación del producto	25
4.1 Conexiones de tuberías	25
4.2 Instalación de la bomba	25
4.3 Instalación de la válvula de derivación	27
4.4 Revisión de la correcta operación de la bomba y la válvula de derivación	29
5. Puesta en marcha del producto	29
5.1 Ajuste del temporizador	29
6. Presentación del producto	32
6.1 Uso previsto	32
6.2 Líquidos aptos para el bombeo	32
6.3 Identificación	33
6.4 Homologaciones	33
7. Mantenimiento y servicio del producto	33
8. Búsqueda de fallas del producto	34
9. Datos técnicos	34
10. Eliminación del producto	34

1. Garantía limitada

GRUNDFOS PUMPS CORPORATION (Grundfos) garantiza exclusivamente al usuario original que los productos fabricados por dicha empresa se encontrarán libres de defectos de materiales y mano de obra durante un período de 24 meses a partir de la fecha de instalación, sin superar en ningún caso los 30 meses a partir de la fecha de fabricación. La responsabilidad de Grundfos en el ámbito de esta garantía se limitará a la reparación o sustitución, a decisión de Grundfos, de forma gratuita y debiendo el comprador correr con los gastos de transporte hasta la fábrica o el centro de servicio autorizado de Grundfos, de cualquier producto fabricado por Grundfos. Grundfos no se hará responsable de ningún costo derivado de la remoción, la instalación o el transporte del producto ni de cualquier otro gasto que pudiera surgir en relación con una reclamación en garantía.

Aquellos productos comercializados por Grundfos que no hayan sido fabricados por dicha empresa se encontrarán sujetos a la garantía proporcionada por el fabricante del producto correspondiente y no a la garantía de Grundfos.

Grundfos no se responsabilizará de aquellos daños o deterioros que sufran los productos como consecuencia de condiciones de operación anómalas, accidentes, abusos, usos indebidos, alteraciones o reparaciones no autorizadas o instalaciones no realizadas de acuerdo con las instrucciones impresas de instalación y operación de Grundfos o los códigos aceptados de prácticas recomendadas. Esta garantía no cubre el desgaste y deterioro normales de los componentes.

Si desea recibir servicio al amparo de esta garantía, deberá devolver el producto defectuoso al distribuidor o proveedor de productos Grundfos al que lo haya adquirido, adjuntando con el mismo una prueba de compra, así como las fechas de instalación y falla, y los datos relacionados con la instalación. A menos que se indique lo contrario, el distribuidor o proveedor se pondrá en contacto con Grundfos o con un centro de servicio autorizado para solicitar instrucciones. Cualquier producto defectuoso que deba ser devuelto a la fábrica o a un centro de servicio deberá enviarse con porte pagado, incluyendo la documentación relacionada con la reclamación en garantía y/o una Autorización de devolución de material, si así se solicita.



Lea este documento antes de llevar a cabo la instalación. La instalación y la operación deben tener lugar de acuerdo con los reglamentos locales en vigor y los códigos aceptados de prácticas recomendadas.



Para que la operación tenga lugar correctamente, debe prestarse la debida atención a los procedimientos descritos en este manual. Conserve este manual para poder consultarlo en el futuro.

Grundfos no se responsabilizará de aquellos daños, pérdidas o gastos accidentales o resultantes que pudieran derivarse de la instalación o el uso de sus productos, ni tampoco de cualquier otra causa que emane de los mismos. No existen garantías expresas o implícitas, incluidas aquellas de comerciabilidad o idoneidad para un fin determinado, que amplíen las garantías que se describen o a las que se hace referencia en los párrafos anteriores. Ciertas jurisdicciones no admiten la exclusión o limitación de los daños accidentales o resultantes; otras rechazan la imposición de limitaciones en cuanto a la duración de las garantías implícitas. Es posible, por tanto, que las limitaciones o exclusiones anteriores no le sean de aplicación. Esta garantía le confiere derechos legales específicos. Puede que disponga de otros derechos en virtud de su jurisdicción.

Los productos reparados o sustituidos por Grundfos o un centro de servicio autorizado al amparo de esta garantía limitada continuarán disfrutando de la garantía de Grundfos hasta la fecha de extinción de la garantía original, determinada por la fecha de compra original.

2. Información general

2.1 Indicaciones de peligro

Las instrucciones de instalación y operación, de seguridad y de mantenimiento de Grundfos pueden contener los siguientes símbolos e indicaciones de peligro.



PELIGRO

Indica una situación peligrosa que, de no corregirse, dará lugar a un riesgo de muerte o lesión personal grave.



ADVERTENCIA

Indica una situación peligrosa que, de no corregirse, podría dar lugar a un riesgo de muerte o lesión personal grave.



PRECAUCIÓN

Indica una situación peligrosa que, de no corregirse, podría dar lugar a un riesgo de lesión personal leve o moderada.

Las indicaciones de peligro están estructuradas de la siguiente manera:

PALABRA DE SEÑALIZACIÓN



Descripción del riesgo

Consecuencias de ignorar la advertencia.

- Acciones que deben ponerse en práctica para evitar el riesgo.

2.2 Notas

Las instrucciones de instalación y operación, de seguridad y de mantenimiento de Grundfos pueden contener los siguientes símbolos y notas.



Respete estas instrucciones para productos a prueba de explosión.



Un círculo de color azul o gris con un signo de admiración en su interior indica que es preciso poner en práctica una acción.



Un círculo de color rojo o gris con una barra diagonal y puede que con un símbolo gráfico de color negro indica que debe evitarse o interrumpirse una determinada acción.



No respetar estas instrucciones puede dar lugar a una operación incorrecta del equipo o daños en el mismo.



Sugerencias y consejos que facilitan el trabajo.

3. Recepción del producto

3.1 Inspección del producto

Revise que el producto recibido se ajuste al pedido.

Revise que la tensión y la frecuencia del producto coincidan con la tensión y la frecuencia de la red de suministro eléctrico disponible en el lugar de instalación. Consulte la sección [6.3 Identificación](#) para familiarizarse con la información que proporciona la placa de datos.

Examine el producto para asegurarse de que no ha sufrido ningún daño durante el transporte. Asegúrese también de que la bomba no pueda caer ni ser manejada de forma incorrecta. La bomba puede resultar dañada si sufre una caída.

3.2 Contenido del paquete

La caja contiene los siguientes artículos:

- una bomba circuladora UP15 de Grundfos con cable de alimentación;
- un temporizador de 24 horas
- una válvula de derivación que hay que instalar bajo el fregadero o lavabo;
- dos tornillos para instalar la válvula;
- dos mangueras flexibles;
- dos adaptadores, si están equipados;
- un manual de instrucciones de instalación y operación.

4. Instalación del producto

ADVERTENCIA

Agua caliente

Lesiones personales moderadas o graves



- Preste especial atención al riesgo de lesiones provocadas por el contacto con agua a alta temperatura.
- Después de instalar el producto, es posible que quede agua tibia en la tubería de agua fría del fregadero o lavabo en el que se haya instalado la válvula. Luego de abrir la tubería de agua fría, el agua tibia desaparecerá en muy poco tiempo.

ADVERTENCIA

Descarga eléctrica

Muerte o lesión personal grave



- Desconecte el suministro eléctrico antes de comenzar a trabajar con el producto. Asegúrese también de que el suministro eléctrico no se pueda conectar accidentalmente.

ADVERTENCIA

Descarga eléctrica

Muerte o lesión personal grave



- Sólo para uso en interiores.
- Esta bomba no ha sido desarrollada para su uso en albercas o zonas marítimas.

ADVERTENCIA

Descarga eléctrica

Muerte o lesión personal grave



- No conecte el suministro eléctrico hasta que el producto se encuentre debidamente instalado.

ADVERTENCIA

Descarga eléctrica

Muerte o lesión personal grave



- Asegúrese de que el conductor de tierra de la bomba esté conectado a un receptáculo correctamente aterrizado y del tipo adecuado.
- Para que la bomba pueda operar correctamente, debe aterrizar de acuerdo con lo descrito en los códigos y reglamentos nacionales, regionales y locales vigentes.

Antes de llevar a cabo la instalación, revise los procedimientos descritos en este documento para garantizar que la instalación se efectúe de forma correcta y segura. Si no se observan los procedimientos descritos en este documento, eso podría afectar a la validez de la garantía y causar daños materiales accidentales.

La tensión de operación y otros parámetros eléctricos están marcados en la placa de datos del motor. Asegúrese de que el motor sea apto para la red de suministro eléctrico a la que deba conectarse.

4.1 Conexiones de tuberías



Durante la conexión de las tuberías, asegúrese de respetar las recomendaciones del fabricante de las tuberías y cumplir todos los requisitos establecidos por los códigos aplicables en relación con el material de las tuberías.



No aplique cinta de Teflon® ni compuesto para juntas de tuberías (es decir, sellador de roscas) en las roscas de la válvula.

4.2 Instalación de la bomba

1. Cierre la válvula de suministro del agua del calentador de agua; suele estar ubicada en la tubería de entrada de agua fría del calentador de agua, encima de este.
2. Drene el agua de la tubería de agua caliente; para ello, abra una llave de agua de la vivienda. Deje la llave abierta hasta que cese de salir agua. Por último, drene el agua restante mediante la llave del calentador de agua. Asegúrese de dejar abierta la llave hasta que finalice la instalación de la bomba. Si sigue saliendo agua, revise que la válvula de suministro del agua del calentador de agua esté completamente cerrada.
3. Desconecte la tubería de agua caliente de la salida de agua caliente del calentador de agua. Consulte la fig. 1.
4. Instale la bomba en la salida del calentador de agua, usando la conexión hembra de 3/4" y la junta suministradas con la bomba. Asegúrese de que el eje de la bomba esté en posición horizontal. Instale la bomba de tal forma que bombee el agua hacia la vivienda, en sentido opuesto al de la posición del calentador de agua. Fijese en la flecha indicadora del sentido de flujo marcada en la carcasa de la bomba. Asegúrese de que la bomba no entre en contacto con la tubería de escape (chimenea) del calentador de agua a gas o aceite. Consulte la fig. 2.
5. Conecte la tubería de agua caliente a la conexión de descarga de 3/4" NPT de la bomba. Utilice un compuesto para juntas de tuberías (es decir, un sellador de roscas) o cinta de Teflon® para sellar las roscas cuando conecte la tubería a la conexión hembra de 3/4" NPT. Si usa un conector flexible de cobre con junta para calentador de agua, no hará falta emplear compuesto para juntas de tuberías (es decir, sellador de

roscas) ni cinta de Teflon®.

6. Restablezca el suministro de agua del calentador y deje correr el agua hasta que todo el aire de las tuberías se haya purgado.
7. Cierre la llave de la vivienda.
8. Enchufe el temporizador a un tomacorriente de 115 V. Enchufe el cable de alimentación de la bomba a la tomacorriente de el temporizador. Asegúrese de situar el cable de alimentación de forma que no toque la salida o tubería de escape del calentador de agua a gas o aceite.
9. Configure la bomba con el temporizador de modo que opere alrededor de las horas pico de uso; por ejemplo, entre 30 minutos antes de la primera ducha y 15 minutos después de la última ducha. Consulte la sección [5.1 Ajuste del temporizador](#).

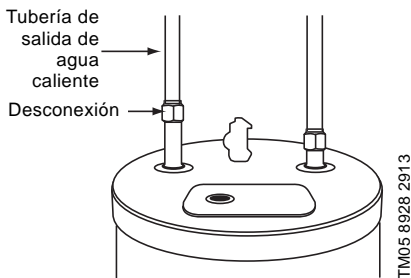


Fig. 1 Desconexión de la tubería de agua caliente del calentador de agua

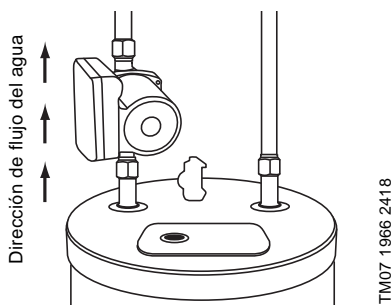


Fig. 2 Instalación de la bomba en la salida del calentador de agua

4.3 Instalación de la válvula de derivación



No aplique cinta de Teflon® ni compuesto para juntas de tuberías (es decir, sellador de roscas) en las roscas de la válvula.



Ajuste las conexiones de las mangueras flexibles con la mano; después, gírelas 1/4 de vuelta más con una llave. Si ajusta en exceso las conexiones de las mangueras flexibles, podría dañar la válvula de derivación y provocar fugas y daños localizados asociados al agua.



Use exclusivamente las mangueras flexibles incluidas en el kit. Si usa mangueras flexibles de otros fabricantes, podría provocar daños en la válvula de derivación y la garantía del producto podría quedar invalidada.



Durante la conexión de las tuberías, asegúrese de respetar las recomendaciones del fabricante de las tuberías y cumplir todos los requisitos establecidos por los códigos aplicables en relación con el material de las tuberías.



Por lo general, al mirar de frente el fregadero o lavabo, la tubería del agua caliente estará a la izquierda y la del agua fría a la derecha.

Ubicación de la válvula

Para conseguir unos resultados óptimos, la válvula de derivación debe ubicarse bajo el llave que esté separada por una mayor longitud de tubería respecto al calentador de agua. Si la tubería de agua caliente de la vivienda está ramificada, puede ser necesario instalar más de una válvula de derivación.

Desconexión de los tubos ascendentes

1. Cierre las válvulas de corte en ángulo del agua caliente y el agua fría ubicadas bajo el fregadero o lavabo; consulte la fig. 3.
2. Desconecte los tubos ascendentes; consulte la fig. 4.

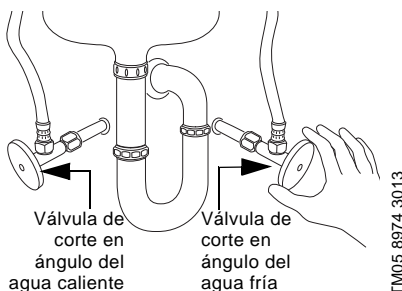


Fig. 3 Cierre de las válvulas de corte en ángulo del agua caliente y el agua fría ubicadas bajo el fregadero o lavabo antes de instalar la válvula de derivación

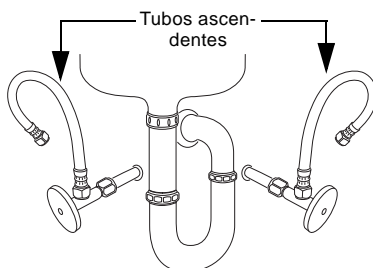


Fig. 4 Desconexión de los tubos ascendentes antes de instalar la válvula de derivación

Instalación de la válvula de derivación

1. Conecte las mangueras flexibles a los puertos de la válvula de derivación con las marcas "HOT OUT" (Salida de agua caliente) y "COLD OUT" (Salida de agua fría). Consulte la fig. 5.
2. Conecte las mangueras flexibles a los puertos de la válvula de derivación con las marcas "HOT IN" (Entrada de agua caliente) y "COLD IN" (Entrada de agua fría). Consulte la fig. 5.
3. Conecte el conector para manguera del puerto "HOT OUT" (Salida de agua caliente) de la válvula de derivación al lado izquierdo de la llave. Consulte la fig. 5. Si se conecta a un accesorio de 3/8", use adaptadores. Los adaptadores se incluyen con las bombas con un código de fecha de producción de 1841 [PC (año) (semana)] o posterior en la placa de datos de la bomba.
4. Conecte el conector para manguera del puerto "COLD OUT" (Salida de agua fría) de la válvula de derivación al lado derecho de la llave. Consulte la fig. 5.
5. Conecte el conector para manguera del puerto "HOT IN" (Entrada de agua caliente) de la válvula de derivación a la válvula de corte en ángulo del lado izquierdo. Consulte la fig. 5.
6. Conecte el conector para manguera del puerto "COLD IN" (Entrada de agua fría) de la válvula de derivación a la válvula de corte en ángulo del lado derecho. Consulte la fig. 5.
7. Abra las válvulas de corte en ángulo del agua caliente y el agua fría. Revise si existen fugas.
8. Si así lo desea, puede instalar la válvula de derivación en la pared con los tornillos incluidos; el soporte de instalación con dos orificios debe quedar al nivel de la pared. Con-

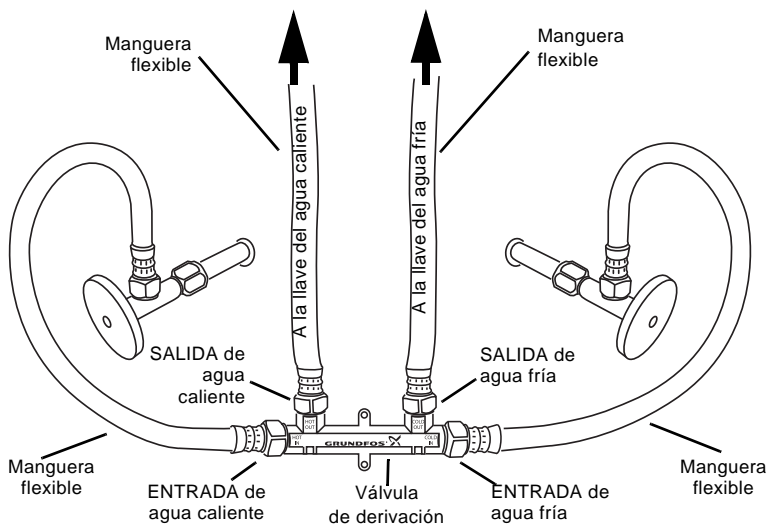


Fig. 5 Conexión de la válvula de derivación, las mangueras flexibles y los conectores

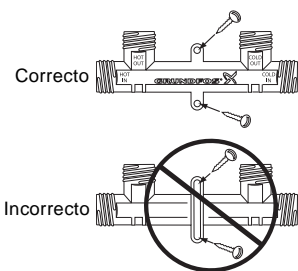


Fig. 6 Instalación correcta de la válvula de derivación

TM05 8977 3013

TM05 8976 3013

4.4 Revisión de la correcta operación de la bomba y la válvula de derivación

Después de instalar la bomba y la válvula de derivación, conecte el suministro eléctrico de la bomba y lleve a cabo las pruebas descritas a continuación:

1. Cierre la válvula de corte en ángulo del agua fría ubicada bajo el fregadero o lavabo.
2. Abra la llave del agua fría.
3. Revise que, al abrir la llave del agua fría, el flujo de agua fría disminuya progresivamente y cese cuando la válvula de derivación se cierre.
4. Revise que, al abrir la llave del agua caliente, esta comience a salir rápidamente.

Si existe algún problema, consulte la

[8. Búsqueda de fallas del producto.](#)

5. Puesta en marcha del producto

5.1 Ajuste del temporizador

ADVERTENCIA

Descarga eléctrica

Muerte o lesión personal grave

- No enchufe este temporizador en un cable de extensión.
- Siempre conecte el enchufe de 3 clavijas directamente en un tomacorriente conectado adecuadamente a tierra. Nunca intente anular esta característica de seguridad.
- No use el temporizador para controlar dispositivos que pueden tener consecuencias peligrosas debido a la inexactitud de la temporización, tales como lámparas de rayos ultravioleta, sauna, calefactores, ollas eléctricas, etc.
- Cumpla con todos los códigos eléctricos locales durante el uso.



No contiene piezas en el interior a las que le pueda realizar mantenimiento.



Antes del uso inicial, enchufe el temporizador a un tomacorriente de CA al menos por 30 minutos para cargar la batería interna. Si no ve la pantalla, presione [RESET] para reiniciar el temporizador y borrar todos los ajustes y eventos. Puede desenchufar el temporizador del tomacorriente de CA para ajustarlo más fácilmente.

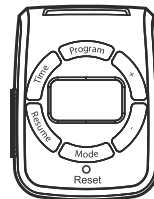


Fig. 7 Temporizador

5.1.1 Ajuste de hora, fecha, horario de verano y región



Cuando ajuste el temporizador, si hace una pausa de más de 30 segundos, este volverá automáticamente a la pantalla de hora del día normal.

1. Presione [TIME] (Hora). Aparecerá un año parpadeante de 4 dígitos.
2. Presione [+] o [-] para ajustar el año actual y luego presione [TIME].
3. Presione [+] o [-] para ajustar el mes ("01"=Ene, "12"=Dic) y luego presione [TIME].
4. Presione [+] o [-] para ajustar el día del mes.
5. Presione [TIME] para ajustar la función de horario de verano (DST).
6. Presione [+] o [-] para seleccionar "AUTO" (ajuste AUTO DST habilitado) u "OFF" (DST deshabilitado).
NOTA: La función DST habilita al temporizador para adelantar automáticamente 1 hora el segundo domingo de marzo a las 02:00 a.m. y luego atrasar automáticamente 1 hora el primer domingo de noviembre a las 02:00 a.m.
7. Presione [TIME]. Los dígitos de la hora parpadearán.
8. Presione [+] o [-] para ajustar la hora actual y luego presione [TIME]. Los dígitos de los minutos parpadearán.
9. Presione [+] o [-] para ajustar los minutos y luego presione [TIME].
10. Presione [+] o [-] para ajustar su región actual. El siguiente mapa determinará en qué región se usará el temporizador. Una vez que seleccione la región, el temporizador ajustará automáticamente a hora de salida y puesta del sol.



TM07 1683 2018

1. NORTE: 2. CENTRAL: 3. SUR:



Fig. 8 Selecciones de región



Fig. 9 Mapa de regiones

11. Presione [TIME] para acceder a la pantalla "AM" de hora de salida del sol.
12. Presione [+] o [-] para ajustar la hora de funcionamiento de salida del sol (+/- 2 horas) para que coincida con su hora local de salida del sol.
NOTA: Presione [RESUME] (Reanudar) para volver a la hora de salida del sol original.
13. Presione [TIME] para acceder a la pantalla "PM" de hora de puesta del sol.
14. Presione [+] o [-] para ajustar la hora de funcionamiento de puesta del sol (+/- 2 horas) para que coincida con su hora local de puesta del sol.
NOTA: Presione [RESUME] para volver a la hora de puesta del sol original.
15. Presione [TIME] para volver a la pantalla (principal) de la hora.



5.1.2 Ajustes, revisión y cambio de los eventos ON/OFF (ENCENDIDO/ APAGADO)

1. Presione [PROGRAM] (Programa) para acceder a las pantallas de eventos ON/OFF.
2. Para ajustar el temporizado por primera vez vaya al paso 4. Ajustará a ENCENDIDO el evento N.º 1.

TM07 1684 2018

TM07 1685 1820

TM07 1686 2018

3. Para revisar ajustes existente de ON/OFF, presione repetidamente [PROGRAM] para visualizar hasta 7 pares de evento ON/OFF. Los guiones significan que el evento que se muestra no está ajustado. Para borrar un evento no deseado presione [RESUME] (Reanudar). Para cambiar un evento, vaya al paso 4. Para salir del modo de ajuste de eventos, presione [MODE] una vez o presione [PROGRAM] repetidamente hasta que el número de evento desaparezca o espere 30 segundos para que el temporizador vuelva automáticamente a la pantalla principal.
4. Si se muestran guiones, presione [TIME] para cambiar los guiones a un evento con días parpadeantes. Fíjese que los eventos están numerados del "1" al "7", "ON" u "OFF".
5. Presione [+] o [-] para seleccionar los días (parpadeantes) donde se debe ejecutar el evento:
 - Solo un día: Seleccione "MO", "TU", o "WE" ("Lu", "Ma", "Mi")...o "SU" ("Do"), etc.
 - Todos los días: Seleccione "MO TU WE TH FR SA SU" ("Lu Ma Mi Ju Vi Sa Do")
 - Solo los días de semana: Seleccione "MO TU WE TH FR" ("Lu Ma Mi Ju Vi")
 - Solo el fin de semana: Seleccione "SA SU" ("Sa Do")
6. Presione [TIME] para hacer que parpadeen los dígitos de la hora. Para ajustar que este evento ocurra a una hora específica del día, vaya al paso 9. Para ajustar que este evento ocurra a la salida o puesta del sol, continúe con el paso 7.
7. Presione [+] o [-] para desplazarse a una de las dos pantallas que tienen los iconos de la luna o el sol parpadeantes y "AM" o "PM" parpadeantes. "AM" más la pantalla de iconos significa que este evento ocurrirá en la salida del sol. "PM" más los iconos significa que este evento ocurrirá en la puesta del sol.
8. Presione [PROGRAM] para aceptar los ajustes de salida y puesta del sol y avanzar a la próxima pantalla de evento. Para agregar más eventos, regrese al paso 4. Si ha configurado todos los eventos deseados, vaya al paso 14.
9. Presione [+] o [-] para desplazarse a la hora de inicio deseada para el evento.
10. Presione [TIME] para hacer que parpadeen los dígitos de los minutos.
11. Presione [+] o [-] para desplazarse a los minutos de inicio deseados para el evento.
12. Presione [PROGRAM] para avanzar hasta la próxima pantalla de evento.
13. Repita los pasos del 4 al 13 hasta que haya ajustado todos los eventos ON/OFF deseados.
14. Repita el paso 3 para verificar todos los ajustes y salir del modo de ajuste de evento.

5.1.3 Ajuste del modo de funcionamiento del temporizador

1. Presione [MODE] para desplazarse al modo de funcionamiento deseado. Consulte a continuación para obtener una descripción de cada modo.
 - "ON": Modo ON manual seleccionado. El dispositivo permanecerá ENCENDIDO.
 - "AUTO ON" (Encendido automático): Modo AUTOMÁTICO seleccionado y el dispositivo está ENCENDIDO. El dispositivo permanecerá ENCENDIDO hasta el siguiente evento de APAGADO.
 - "RDM ON" (Random encendido): Modo RANDOM seleccionado y el dispositivo está ENCENDIDO. El dispositivo permanecerá ENCENDIDO hasta el siguiente evento de APAGADO.
NOTA: Cuando seleccione "RDM" (modo Random), el dispositivo funcionará por ±30 minutos a partir de los ajustes de evento ON/OFF programados para proporcionar una apariencia habitada.
 - "OFF": Modo OFF manual seleccionado. El dispositivo permanecerá APAGADO.
 - "Auto OFF" (Apagado automático): Modo AUTOMÁTICO seleccionado y el dispositivo está APAGADO. El dispositivo permanecerá APAGADO hasta el siguiente evento de ENCENDIDO.
 - "RDM OFF" (Random apagado): Modo RANDOM seleccionado y el dispositivo está APAGADO. El dispositivo permanecerá APAGADO hasta el siguiente evento de ENCENDIDO.
2. Enchufe el dispositivo deseado al temporizador.
3. Enchufe el temporizador en el tomacorriente.

6. Presentación del producto

El sistema de recirculación de agua caliente Grundfos Comfort le permite disponer instantáneamente de agua caliente en las llaves de su vivienda.

Dado que el sistema aprovecha la línea de retorno de agua fría de la vivienda, no será necesario instalar una nueva línea de retorno independiente. Tampoco es necesario disponer de un tomacorriente bajo el fregadero o lavabo.

El sistema Grundfos Comfort incluye una bomba circuladora, que deberá instalar en el calentador de agua de la vivienda, y una válvula, que debe ir instalada en la llave más alejada.

El agua fluye desde el calentador de agua hasta la bomba de recirculación, que la hace circular por la tubería de suministro de agua caliente; después, regresa al calentador de agua a través de la tubería de retorno de agua fría.



Fig. 10 Sistema Grundfos Comfort

Pos.	Descripción
1	Cuerpo de la bomba
2	Placa de datos
3	Mangueras flexibles
4	Válvula de derivación ubicada bajo el fregadero o lavabo
5	Cable de alimentación
6	Temporizador
7	Puerto de descarga de 3/4" NPT

6.1 Uso previsto

ADVERTENCIA



Incendios y explosiones

Muerte o lesión personal grave

- No use la bomba para bombear líquidos inflamables, combustibles o explosivos, como diésel, gasolina u otros líquidos similares.

ADVERTENCIA



Descarga eléctrica

Muerte o lesión personal grave

- Sólo para uso en interiores.
- Esta bomba no ha sido desarrollada para su uso en albercas o zonas marítimas.



Sólo para uso en interiores y bombeo de agua potable.

6.2 Líquidos aptos para el bombeo

El sistema Grundfos Comfort está indicado exclusivamente para el bombeo de agua potable en entornos residenciales y es una opción idónea para instalaciones que no dispongan de línea de retorno de agua caliente.

La bomba se lubrica y refrigera por medio del líquido bombeado. Este, por tanto, debe poder circular a través de la bomba mientras esta esté operando.

TM07 2128 2817

6.3 Identificación

La placa de datos incluye información acerca de los requisitos eléctricos de la bomba. Revise que el suministro eléctrico tenga la tensión, las fases y la frecuencia necesarias para la correcta operación de la bomba.

El motor de la bomba está diseñado para operar con una tolerancia del $\pm 10\%$ respecto a la tensión especificada en la placa de datos.

6.4 Homologaciones

ANSI/NSF61
ANSI/NSF372
Bomba Comfort
Válvula Comfort



UL/cUL
(seguridad eléctrica)
Bomba Comfort



IAPMO (UPC)
Bomba Comfort con válvula Comfort (sistema Comfort)



IAPMO (cUPC)
Válvula Comfort



7. Mantenimiento y servicio del producto

El sistema Grundfos Comfort no requiere ningún tipo de mantenimiento o servicio.

8. Búsqueda de fallas del producto

Falla	Causa	Solución
1. La bomba no opera.	a) La bomba no está conectada al suministro eléctrico.	Conecte la bomba al suministro eléctrico.
	b) El interruptor de circuito se ha disparado.	Conecte el interruptor de circuito.
	c) La bomba sufre un defecto.	Sustituya la bomba.
2. No sale agua caliente por la llave o hay demasiada agua caliente en el lado del agua fría.	a) La válvula no está instalada correctamente.	Revise las instrucciones de instalación de la válvula de derivación en la sección 4.3 Instalación de la válvula de derivación . Consulte la sección 6. Presentación del producto . Si es necesario, vuelva a instalar la válvula de derivación térmica.

9. Datos técnicos

Sistema	Temperatura máx. de almacenamiento:	170 °F (76 °C)
	Temperatura ambiente:	De -4 a +175 °F (de -20 a +80 °C)
	Tipo de sistema:	Abierto (agua potable residencial)
UP15-10SU7P/TLC	Rango de caudal:	0-6.3 gpm (0-1.4 m ³ /h)
	Rango de altura:	0-5.1 ft (0-1.5 m)
	Motor:	Monofásico, 60 Hz
	Presión máx. de operación:	145 psi (10 bar)
	Presión mín. de operación:	Presión mín. del sistema
	Temperatura máx. del líquido:	150 °F (66 °C)
	Temperatura mín. del líquido:	36 °F (2 °C)
Válvula de derivación	Conexión:	3/4" M x 3/4" F NPT
Temporizador	Tensión de alimentación:	125 VCA, 60 Hz, 15 A, 1875 W resistivo 8 A, 1000 W tunsteno, 500 VA balastro electrónico
		120 VCA, 60 Hz, 8.3 A balastro standard Carga de motor de 1/2 HP
	Nivel nominal de contacto:	15 A

10. Eliminación del producto

La eliminación de este producto o partes de él debe realizarse de forma respetuosa con el medio ambiente:

- Utilice el servicio local, público o privado, de recogida de residuos.
- Si esto no es posible, contacte con la compañía o servicio técnico Grundfos más cercano.

GRUNDFOS Kansas City

9300 Loiret Blvd.
Lenexa, Kansas 66219
Phone: (913) 227-3400
Fax: (913) 227-3500

www.grundfos.us

GRUNDFOS Canada

2941 Brighton Road
Oakville, Ontario L6H 6C9 Canada
Phone: +1-905 829 9533
Telefax: +1-905 829 9512

www.grundfos.ca

GRUNDFOS México

Boulevard TLC No. 15
Parque Industrial Stiva Aeropuerto
C.P. 66600 Apodaca, N.L. México
Phone: 011-52-81-8144 4000
Fax: 011-52-81-8144 4010

www.grundfos.mx

L-UP-TL-043

99475114 1118

ECM: 1247625

The name Grundfos, the Grundfos logo, and **be think innovate** are registered trademarks owned by Grundfos Holding A/S or Grundfos A/S, Denmark. All rights reserved worldwide. © Copyright Grundfos Holding A/S