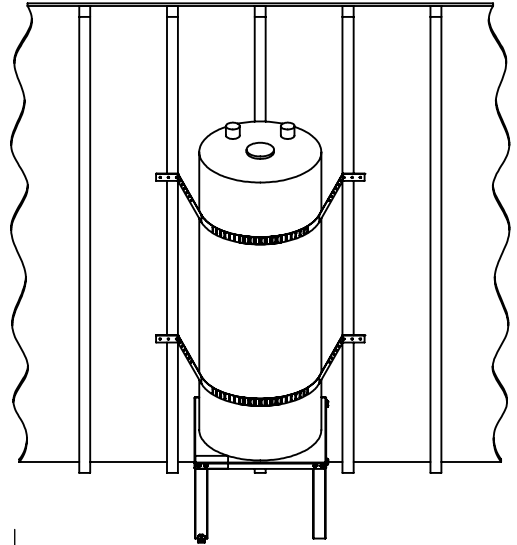
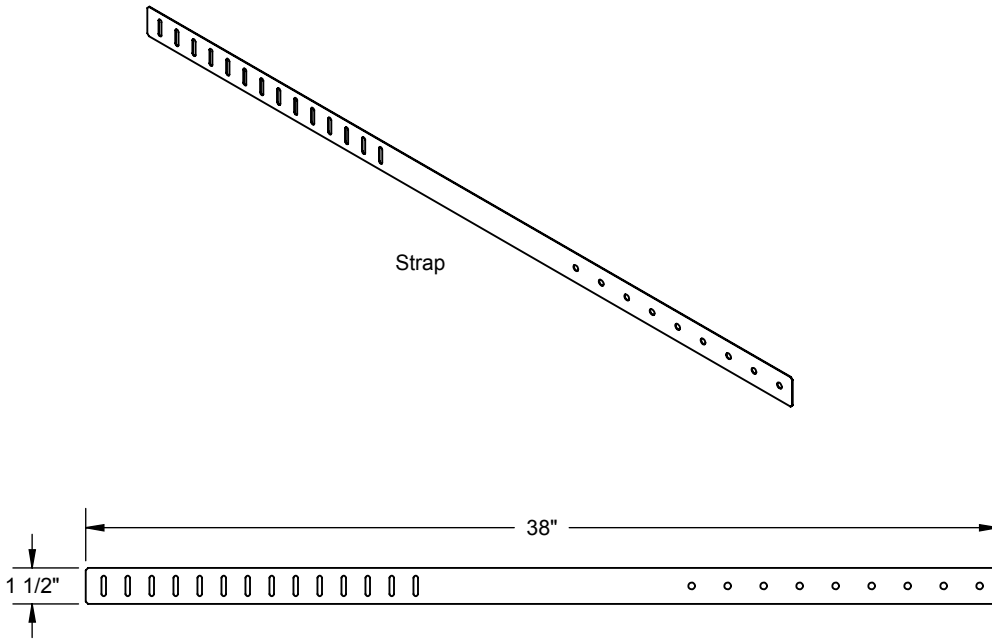


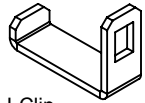
PRODUCT SPECIFICATION DRAWING

QUICK STRAP® #QS-50

Seismic support for water heaters



ALL DIMENSIONS IN INCHES



J-Clip



Carriage Bolt, #3/8-16 x 3.0" long



3/8" Hex Nut



Lag Bolt, #1/4-10 x 2-1/2" Long

The **QUICK STRAP® #QS-50** is a seismic/earthquake support system for water heaters up to 80 U.S. gallons in size. The system includes: (4) Straps, (4) Lag Bolts, (4) J-Clips, (2) 3/8" Carriage Bolts and (2) 3/8" Hex Nuts. The Quick Link® system allows for full adjustment from the front side of the water heater.

Product Information:

- Material: Strap, 24 gage CRS, galvanized
- California Division State Architect (DSA) approval #97-010
- UPC / IPC / IAPMO listed



THIS INFORMATION IS PROPRIETARY TO HOLDRITE AND IS SUBJECT TO CHANGE WITHOUT NOTICE. IT MAY NOT BE REPRODUCED IN PART OR WHOLE WITHOUT WRITTEN AUTHORIZATION.

HOLDRITE®

CONVERTING WAKESHIFT MET-ODS INTO ENGINEERED SOLUTIONS™

800-321-0316 OR 760-744-6944 / FAX: 760-744-0507 / WWW.HOLDRITE.COM
spec_QS-50_RevK

Product Submittal	
Job Name:	
Date:	
Part Number:	Qty:
Architect / Owner:	
Contractor:	
Notes:	