

Repair Parts Manual
Manual De Repuestos
TS 348XD/ 96043031900

Please read the operator's manual carefully and make sure you understand the instructions before using the machine.

Por favor lea cuidadosamente y comprenda estas instrucciones antes de usar esta maquina.



English/Spanish



114 19 50-27

HOW TO USE THIS MANUAL

This manual is designed to provide the customer with a means to identify the parts on his/her tractor when ordering repair parts. The illustrations may or may not represent the actual assemblies; therefore, it is not recommended to use this manual as a guide to assemble or disassemble the tractor. Some hardware and parts are drawn larger in order to more readily identify them.

Each tractor has its own model number. The model number for your tractor can be found on the fender under the seat.

Support / Help

If you require assistance or have questions concerning the application, operation, maintenance or parts for your product:

- Visit our website: www.husqvarna.com
- Call Us Toll Free: 1-800-487-5951

When ordering parts, always give the following information:

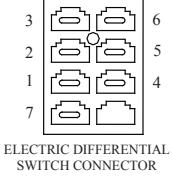
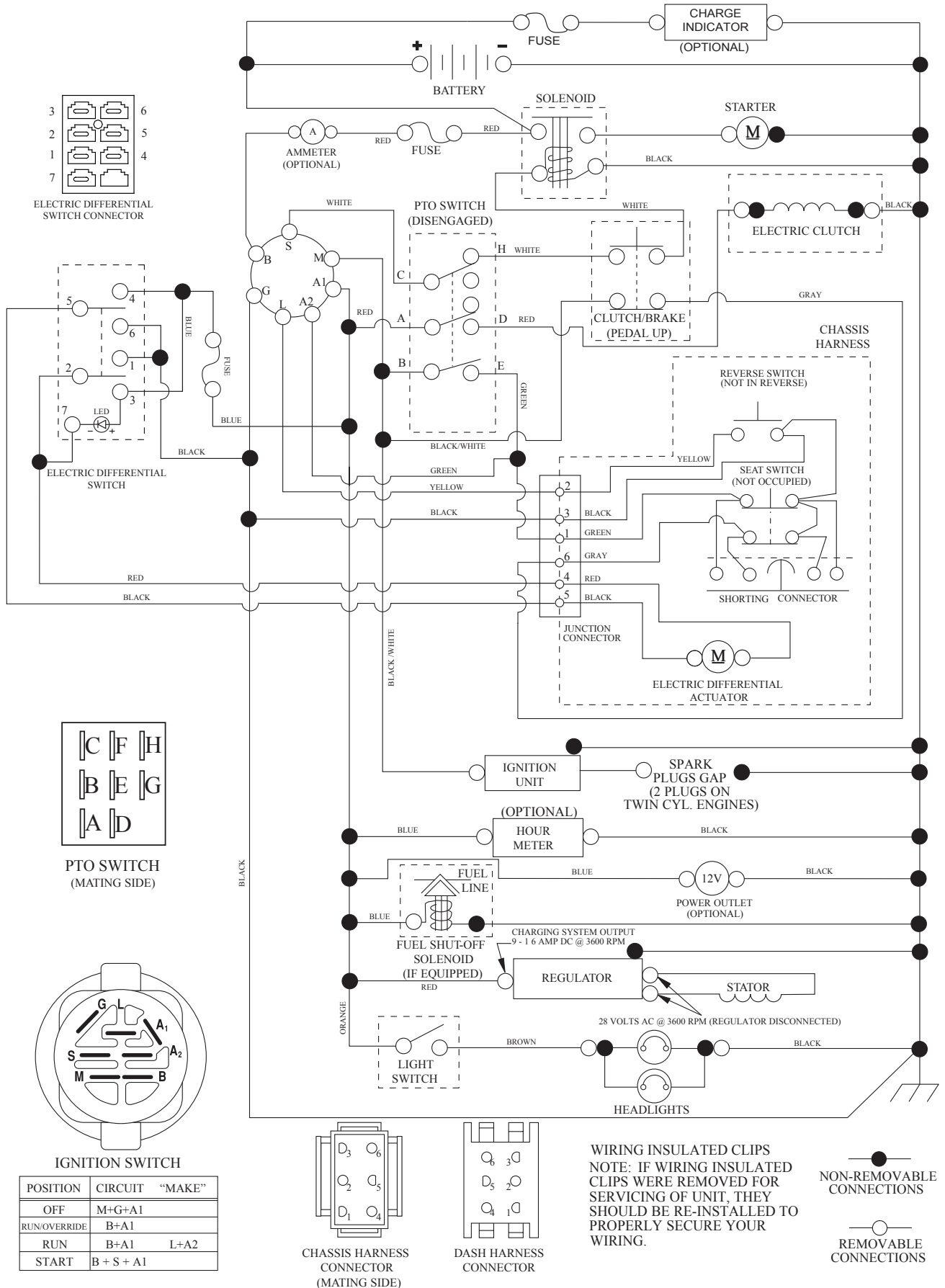
- Product - "TRACTOR"
- MODEL NUMBER - "TS 348XD"(96043031900)"
- Part Number
- Part Description

TABLE OF CONTENTS

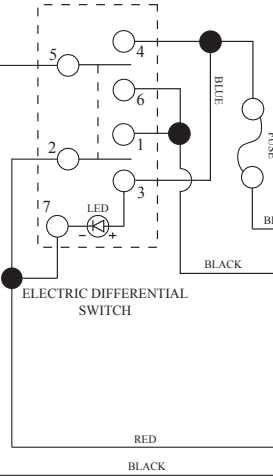
SCHEMATIC	3
ELECTRICAL.....	4-5
CHASSIS	6-7
DRIVE.....	8-9
ENGINE.....	10-11
STEERING	12-13
MOWER DECK	14-15
MOWER LIFT.....	16
SEAT	17
DECALS.....	18

TRACTOR - MODEL NO. TS 348XD (96043031900), PRODUCT NO. 960 43 03-19 SCHEMATIC

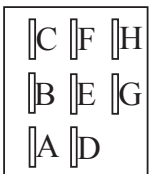
SCH27



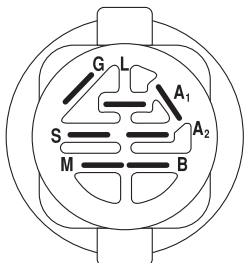
ELECTRIC DIFFERENTIAL SWITCH CONNECTOR



ELECTRIC DIFFERENTIAL SWITCH

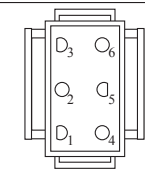


PTO SWITCH (MATING SIDE)

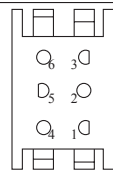


IGNITION SWITCH

POSITION	CIRCUIT "MAKE"
OFF	M+G+A1
RUN/OVERRIDE	B+A1
RUN	B+A1 L+A2
START	B + S + A1



CHASSIS HARNESS CONNECTOR (MATING SIDE)



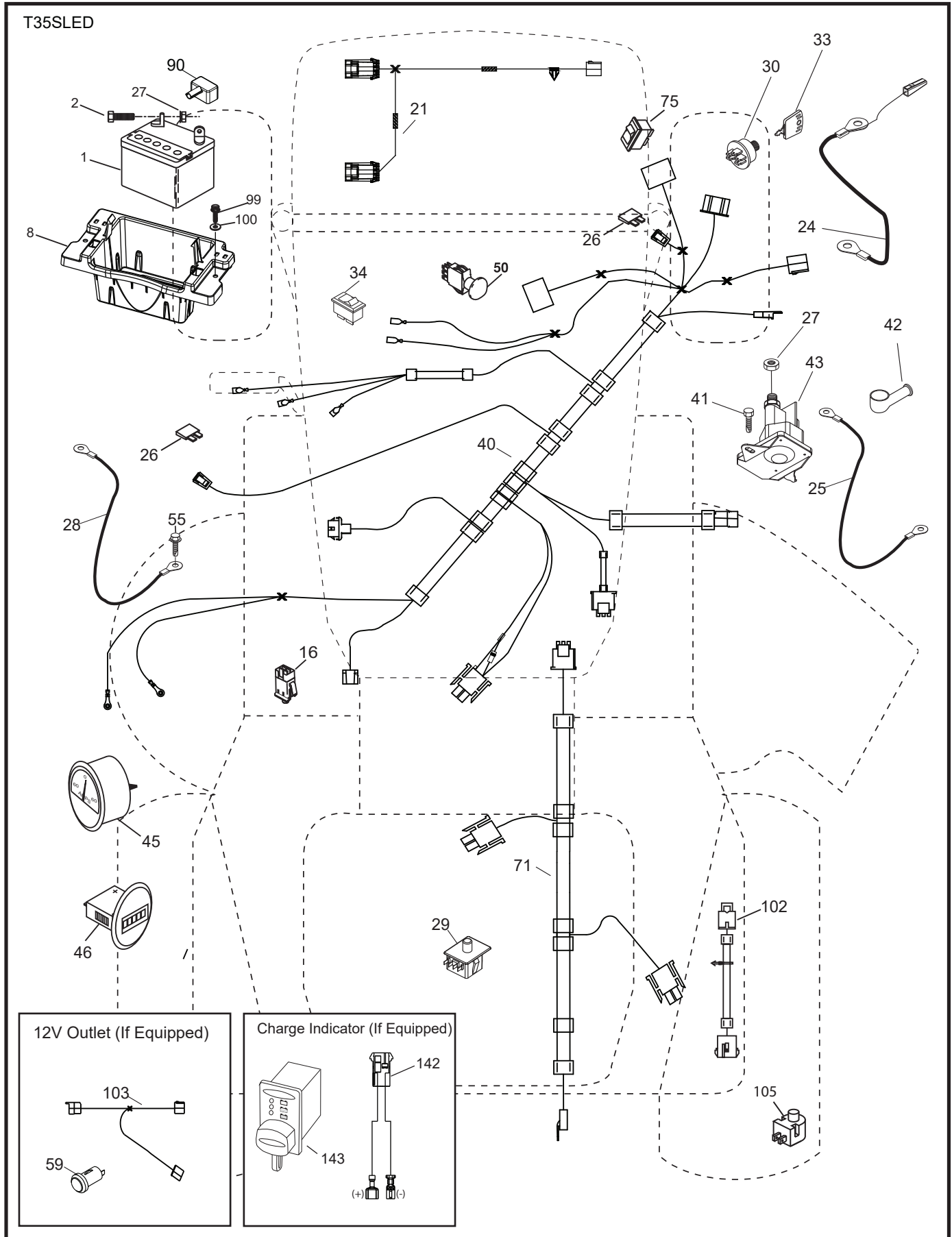
DASH HARNESS CONNECTOR

WIRING INSULATED CLIPS
NOTE: IF WIRING INSULATED CLIPS WERE REMOVED FOR SERVICING OF UNIT, THEY SHOULD BE RE-INSTALLED TO PROPERLY SECURE YOUR WIRING.

NON-REMOVABLE CONNECTIONS

REMOVABLE CONNECTIONS

**TRACTOR - MODEL NO. TS 348XD (96043031900), PRODUCT NO. 960 43 03-19
ELECTRICAL**

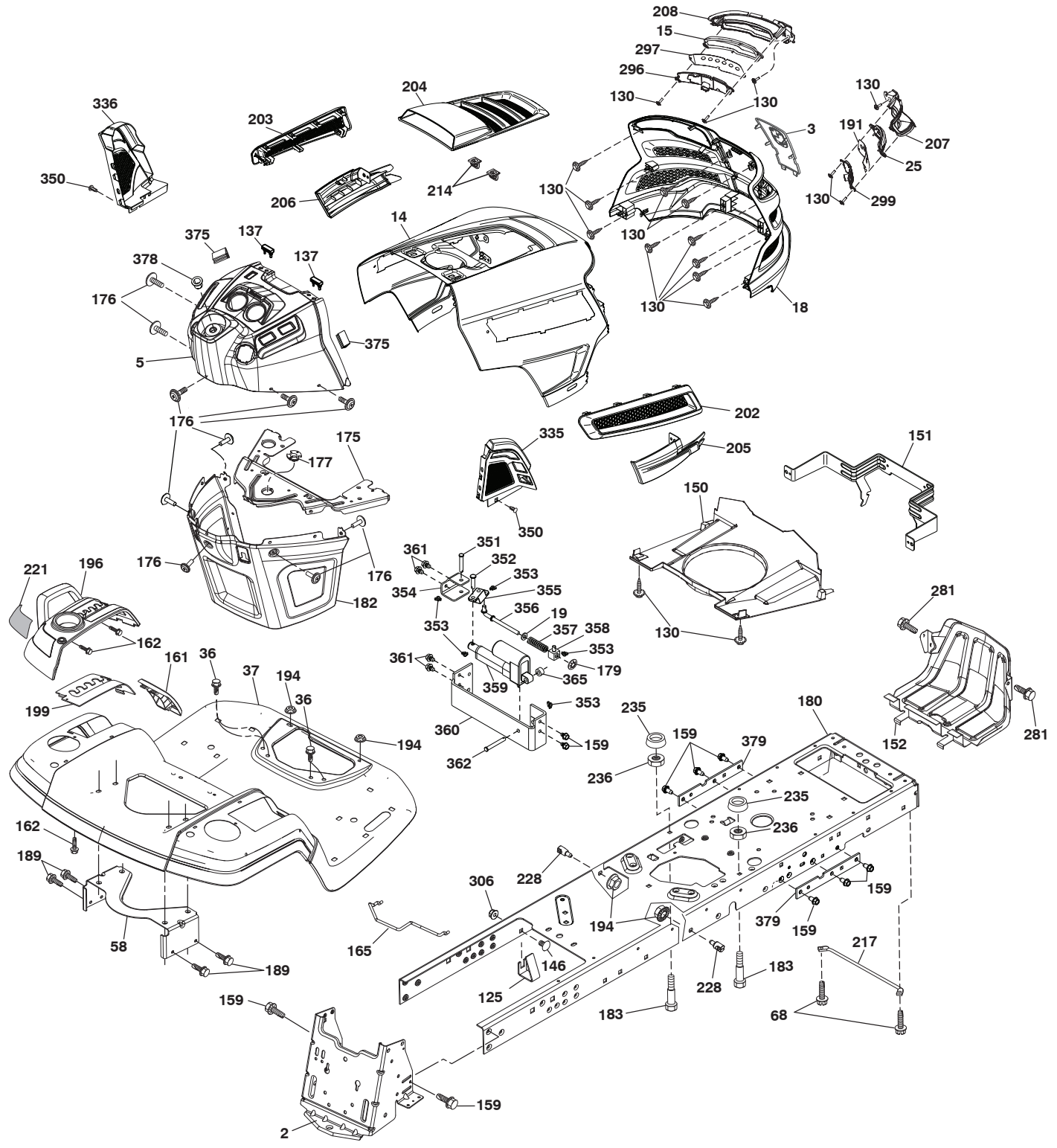


**TRACTOR - MODEL NO. TS 348XD (96043031900), PRODUCT NO. 960 43 03-19
ELECTRICAL**

KEY NO.	PART NO.	DESCRIPTION
1	532 16 34-65	Battery
2	874 76 04-12	Bolt Hex Hd 1/4-20 unc x 3/4
8	587 20 51-01	Battery Box
16	532 17 61-38	Switch Interlock
21	585 43 64-01	Harness Light
24	585 55 56-01	Cable FR Batt
25	585 55 55-01	Cable Starter
26	532 17 51-58	Fuse
27	596 13 36-01	Locknut, Keps, 1/4-20
28	532 41 65-88	Cable Ground
29	532 19 27-49	Switch Seat
30	532 19 33-50	Switch Ign
33	532 41 19-35	Key/Chain
34	532 11 07-12	Switch Light/Reset
40	501 13 36-01	Harness Ign. Dash
41	817 72 04-08	Screw 1/4-20 unc x 1/2
42	532 13 15-63	Cover Terminal Red
43	582 04 28-02	Solenoid
45	587 55 39-06	Ammeter
46	587 55 40-06	Gauge Hourmeter
50	582 10 76-01	Switch PTO
55	817 06 05-12	Screw Thdrol 5/16-18 x 3/4
59	596 94 10-01	Receptacle, 12V
71	580 51 30-01	Harness Ign Chassis
75	580 36 64-01	Switch ON/OFF Diff Lock
90	532 43 53-95	Cover Terminal Battery
99	817 67 04-12	Screw Hexwsh Thdrol 1/4-20 x 3/4
100	596 13 53-01	Washer, Plain, 9/32 x 7/8, Clr, Zn
102	532 40 44-54	Harness Pigtail K46 ROS
103	532 42 17-47	Harness, Pigtail, 12V
105	532 40 75-68	Switch Reverse

NOTE: All component dimensions given in U.S. inches
1 inch = 25.4 mm

TRACTOR - MODEL NO. TS 348XD (96043031900), PRODUCT NO. 960 43 03-19
CHASSIS



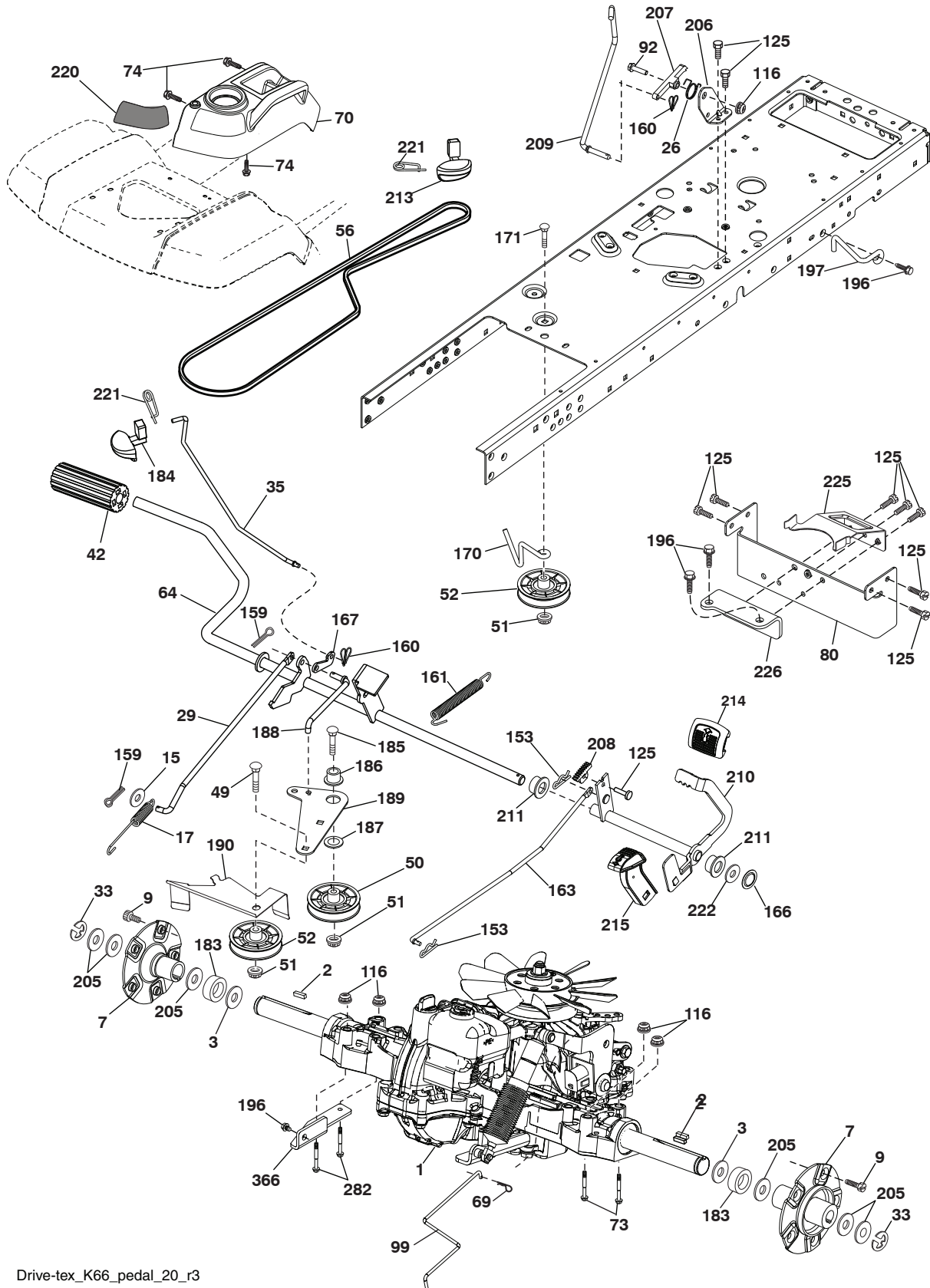
chassis-tex_GT HUSQ_II_261

TRACTOR - MODEL NO. TS 348XD (96043031900), PRODUCT NO. 960 43 03-19 CHASSIS

KEY NO.	PART NO.	DESCRIPTION	KEY NO.	PART NO.	DESCRIPTION
2	580 43 44-01	Drawbar	205	532 43 97-30	Skirt Hood Side RH
3	532 44 44-81	Logo Husq.	206	532 43 97-29	Skirt Hood Side LH
5	590 74 88-19	Dash	207	585 42 00-02	Bezel RH
14	532 44 11-77	Hood	208	585 42 01-02	Bezel LH
15	585 42 03-01	Lens LH	214	532 19 91-45	Clip Retainer
18	587 52 34-01	Grille	217	532 40 91-67	Rod Pivot
19	596 13 32-01	Washer 13/32 x 13/16 x 12 Ga.	221	532 19 89-09	Reflector LH
25	585 42 02-01	Lens RH	228	532 19 51-61	Stud Fastener
36	817 06 05-12	Screw 5/16-18 x 3/4	235	596 56 42-01	Spacer Fender
37	532 44 12-08	Fender	236	873 93 05-00	Nut Center Lock 5/16-18 unc
58	532 19 43-14	Bracket Fender	281	817 00 06-16	Screw 3/8-16 x 1
68	596 03 07-01	Screw 5/16-18 x 1/2	296	585 42 05-01	LED Light LH
125	581 68 48-01	Clip Fuel Line	297	586 18 29-01	Insert Reflect. LH
130	596 32 17-01	Screw #10 x 0.750 BOS Thread	299	585 42 04-01	LED Light RH
137	532 40 75-90	Bumper Dash	306	873 90 06-00	Nut Lock
146	581 85 79-01	Bolt	335	532 44 82-04	Cover RH Lower
150	532 43 97-74	Duct Heat Hood	336	532 44 53-09	Cover LH Lower
151	532 43 66-70	Bracket Pivot Hood	350	532 44 51-43	Clip X-mas Tree
152	532 43 98-70	Shield Browning	351	532 42 17-34	Pin Clevis .375 x 2.125
159	817 00 06-12	Screw 3/8-16 x 3/4	352	532 44 86-34	Clevis .375 x 2.125
161	532 43 99-29	Window Fuel	353	532 17 80-62	Clip Retainer .0375
162	596 13 41-01	Screw Hex 14-15 x 1/2	354	532 44 86-19	Support Bellcrank
165	532 19 43-30	Bracket Support Tank	355	532 44 86-36	Bellcrank Pivot Lock Diff
175	590 60 77-02	Crossmember	356	532 44 86-93	Link Lock Diff
176	532 40 07-76	Screw 10-24 x 5/8 Wshd Qdrx	357	532 44 86-84	Spring Compression
177	532 19 52-28	Bushing Steering	358	580 36 66-01	Swivel Guide
179	532 16 89-37	Nut Push	359	584 39 34-01	Actuator Electric
180	593 34 63-01	Chassis	360	532 44 86-18	Bracket Actuator
182	532 40 68-59	Dash Lower	361	596 56 40-02	Bolt, HHD, 3/8-16 x 0.655, Clr, Zn
183	595 30 57-01	Screw, Hex, 5/16-18 x 2-1/4	362	532 44 86-33	Clevis .375 x 2.42
189	817 00 05-12	Screw 5/16-18 x 3/4	365	532 44 73-68	Nylon Spacer .375 x .4375L
191	586 18 28-01	Insert Reflect. RH	375	586 90 82-01	Dash Clip-On Bumper
194	596 13 57-01	Nut Lock 5/16-18 x .68	378	590 84 98-01	Bushing Flange
196	532 43 97-16	Console Asm. Deck Lift	379	593 20 69-02	Chassis Plate Reinforcement
199	532 19 82-59	Plate Deck Lift	--	532 43 18-82	Bumper
202	532 43 97-28	Vent Side Hood RH			
203	532 43 97-27	Vent Side Hood LH			
204	587 48 58-01	Vent Asm Hood Top			

NOTE: All component dimensions given in U.S. inches
1 inch = 25.4 mm

TRACTOR - MODEL NO. TS 348XD (96043031900), PRODUCT NO. 960 43 03-19
DRIVE



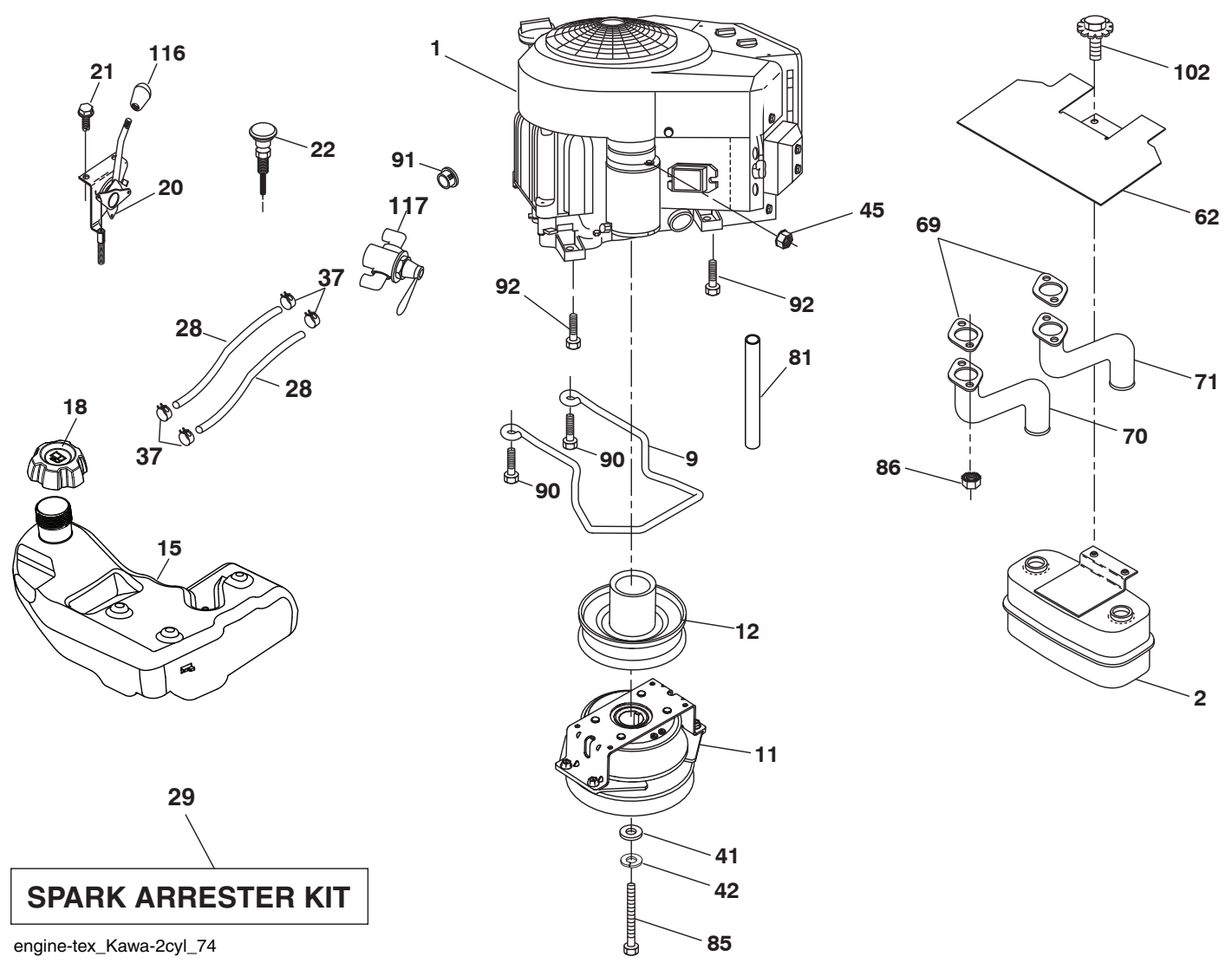
Drive-tex_K66_pedal_20_r3

TRACTOR - MODEL NO. TS 348XD (96043031900), PRODUCT NO. 960 43 03-19 DRIVE

KEY NO.	PART NO.	DESCRIPTION	KEY NO.	PART NO.	DESCRIPTION
1	---	Transaxle, Tufftorq K66ELD (580402201) (Order parts from transaxle manufacturer.)	167	532 40 52-57	Latch Brake Parking
2	539 91 27-57	Key .25 x 1.25	170	532 19 43-22	Keeper V-Idler Centerspan
3	532 00 75-63	Washer Thrust Axle Hardened	171	596 13 63-01	Bolt, Cup Head, 3/8-16 x 2
7	586 93 54-02	Hub Asm. Wheel	183	587 58 74-01	Spacer Axle
9	596 21 87-01	Bolt 7/16-14 x 1-3/8"	184	587 65 37-01	Handle Parking Brake
15	819 13 13-16	Washer 13/32 x 13/16 x 16 Ga.	185	872 11 06-22	Bolt Rdhd 3/8-16 unc x 2-3/4 G5
17	532 40 10-72	Spring, Brake	186	532 19 43-21	Spacer Retainer
26	532 19 96-79	Spring Return Cruise	187	596 13 55-01	Washer, 13132 x 2
29	532 40 72-45	Rod, Brake	188	582 21 70-01	Link Clutch Ground Drive, Long
33	812 00 00-53	Ring E	189	532 19 43-17	Bellcrank Ground Drive
35	590 60 59-02	Rod, Brake, Park	190	532 19 43-18	Keeper Bellcrank Ground Drive
42	532 00 88-83	Cover, Foot Pedal	196	817 00 06-16	Screw 3/8-16 x 1
49	596 13 62-01	Bolt, Cup Head, 3/8-16 x 3/4	197	585 65 86-02	Bracket Clutch Anti-Rotation
50	532 19 43-27	Pulley Idler Flat	205	532 12 38-00	Washer 1-1/32 x 1-5/8 x 16 Ga.
51	873 90 06-00	Lock Nut 3/8-16	206	532 44 85-96	Bracket Mount Latch Cruise
52	532 19 43-26	Idler V-Groove	207	587 03 14-02	Latch Control Cruise
56	592 85 53-01	V-Belt, Drive	208	596 56 41-01	Gear
64	532 19 78-65	Shaft Asm. Pedal Brake Control	209	590 52 78-02	Rod Control Cruise
69	532 42 33-03	Hairpin .059 x 1.125	210	532 19 78-60	Rocker Asm. Pedal Control
70	532 43 96-61	Console Asm	211	532 12 01-83	Bearing Nylon
73	595 31 66-01	Bolt Flghd 5/16-18 Gr. 5	213	532 40 31-19	Knob Control Cruise
74	596 13 41-01	Screw Tap, 1/4-15 x 1/2	214	532 42 12-63	Pedal Forward
80	589 33 34-02	Strap Torque	215	586 60 65-02	Pedal Reverse
92	595 30 57-01	Screw, Hex, 5/16-18 x 1-1/4	220	532 19 89-08	Reflector RH
99	582 40 47-01	Spring Bypass	221	532 40 31-87	Retainer Spring Clip Handle
116	596 13 57-01	Nut Lock 5/16-18 x .68	222	879 21 20-10	Washer 21/32 x 1-1/4 x 10 Ga.
125	817 00 05-12	Screw 5/16-18 x 3/4	225	532 40 73-11	Keeper Belt
153	532 00 44-97	Retainer Spring	226	532 40 71-09	Bracket Mount Torque
159	596 02 95-01	Pin Cotter 1/8 x 3/4	282	874 49 05-48	Bolt 5/16-18 x 3.0 G5
160	596 02 94-01	Retainer Clip	366	580 62 62-02	Bracket Reinforcement
161	532 10 57-09	Spring, Return, Clutch			
163	532 40 72-46	Rod Pedal Control			
166	532 42 91-64	Nut Push .625			

NOTE: All component dimensions given in U.S. inches
1 inch = 25.4 mm

**TRACTOR - MODEL NO. TS 348XD (96043031900), PRODUCT NO. 960 43 03-19
ENGINE**

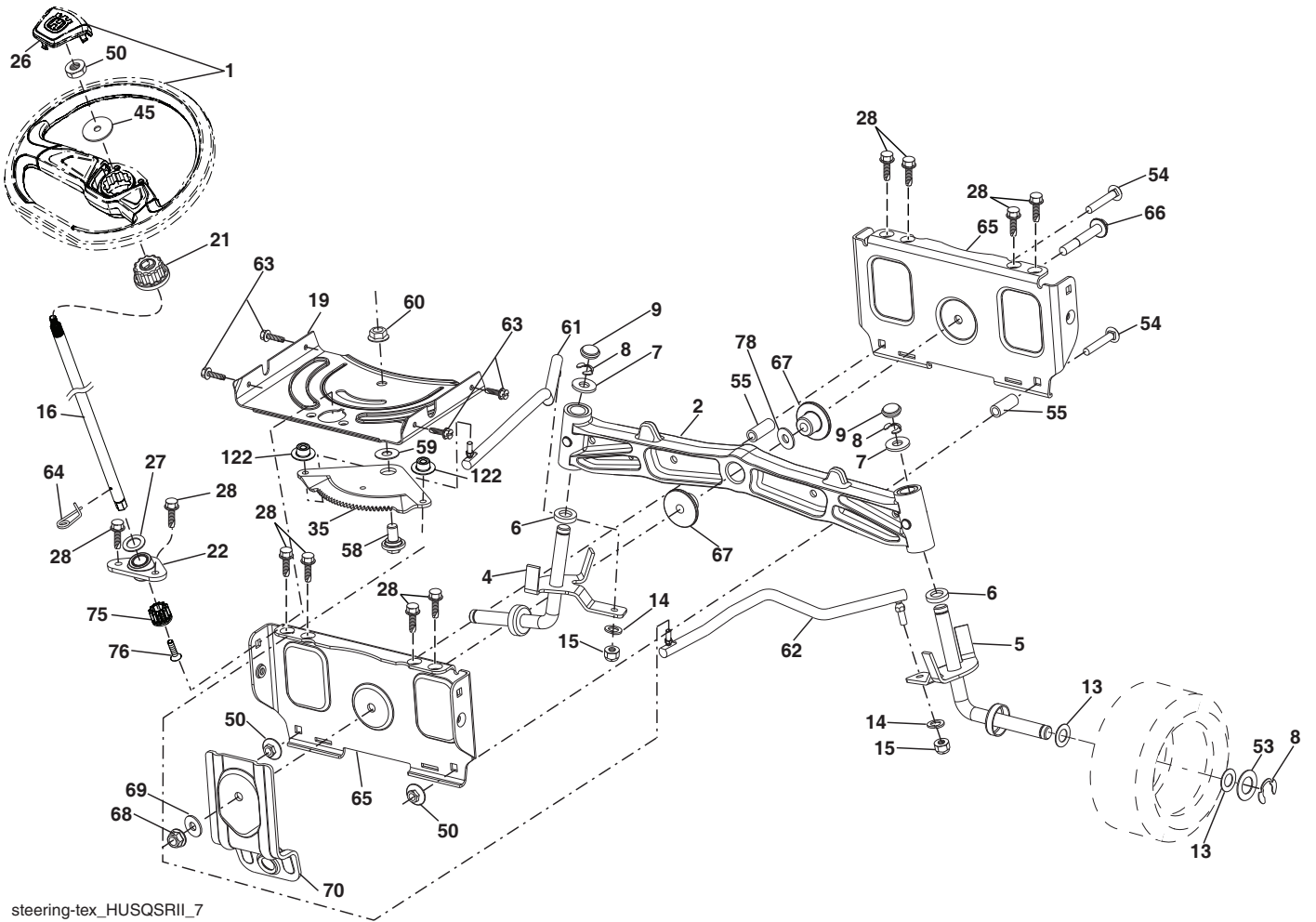


**TRACTOR - MODEL NO. TS 348XD (96043031900), PRODUCT NO. 960 43 03-19
ENGINE**

KEY NO.	PART NO.	DESCRIPTION
1	-----	Engine KAWA Model No. FR730V-ES04 (445363)(Order parts from engine manufacturer.)
2	589 81 87-01	Muffler
9	501 83 26-02	Keeper Asm. Belt Engine
11	587 24 14-01	Clutch Electric
12	532 19 43-43	Pulley Engine
15	532 43 80-24	Tank Fuel
18	585 12 48-01	Cap Asm
20	532 42 43-41	Control Throttle
21	596 32 17-01	Screw #10 x 0.750 BOS Thread
22	532 18 95-41	Control Choke
28	532 40 11-35	Fuel Line
29	532 13 71-80	Spark Arrester Kit
37	532 12 34-87	Clamp Hose
41	532 12 61-97	Washer 1-1/2 OD x 15/32 ID x .250
42	596 23 89-01	Washer 7/16
45	596 13 36-01	Locknut 1/4-20
62	532 43 40-17	Shield Heat Muffler
69	532 17 81-51	Gasket
70	583 95 56-01	Tube Exhaust LH
71	583 95 57-01	Tube Exhaust RH
81	532 14 84-56	Oil Tube Drain
85	501 60 69-01	Bolt 7/16-20 x 3.0 x Gr. 5
86	532 18 43-62	Nut Hex M8-1.25
90	817 00 06-16	Screw 3/8-16 x 1
91	532 18 74-95	Bushing
92	817 12 06-16	Screw 3/8-16 x 1
102	817 00 05-12	Screw 5/16 x 3/4
116	539 13 26-24	Knob Soft Touch
117	532 42 08-28	Valve Fuel Reserve

NOTE: All component dimensions given in U.S. inches
1 inch = 25.4 mm

TRACTOR - MODEL NO. TS 348XD (96043031900), PRODUCT NO. 960 43 03-19
STEERING ASSEMBLY



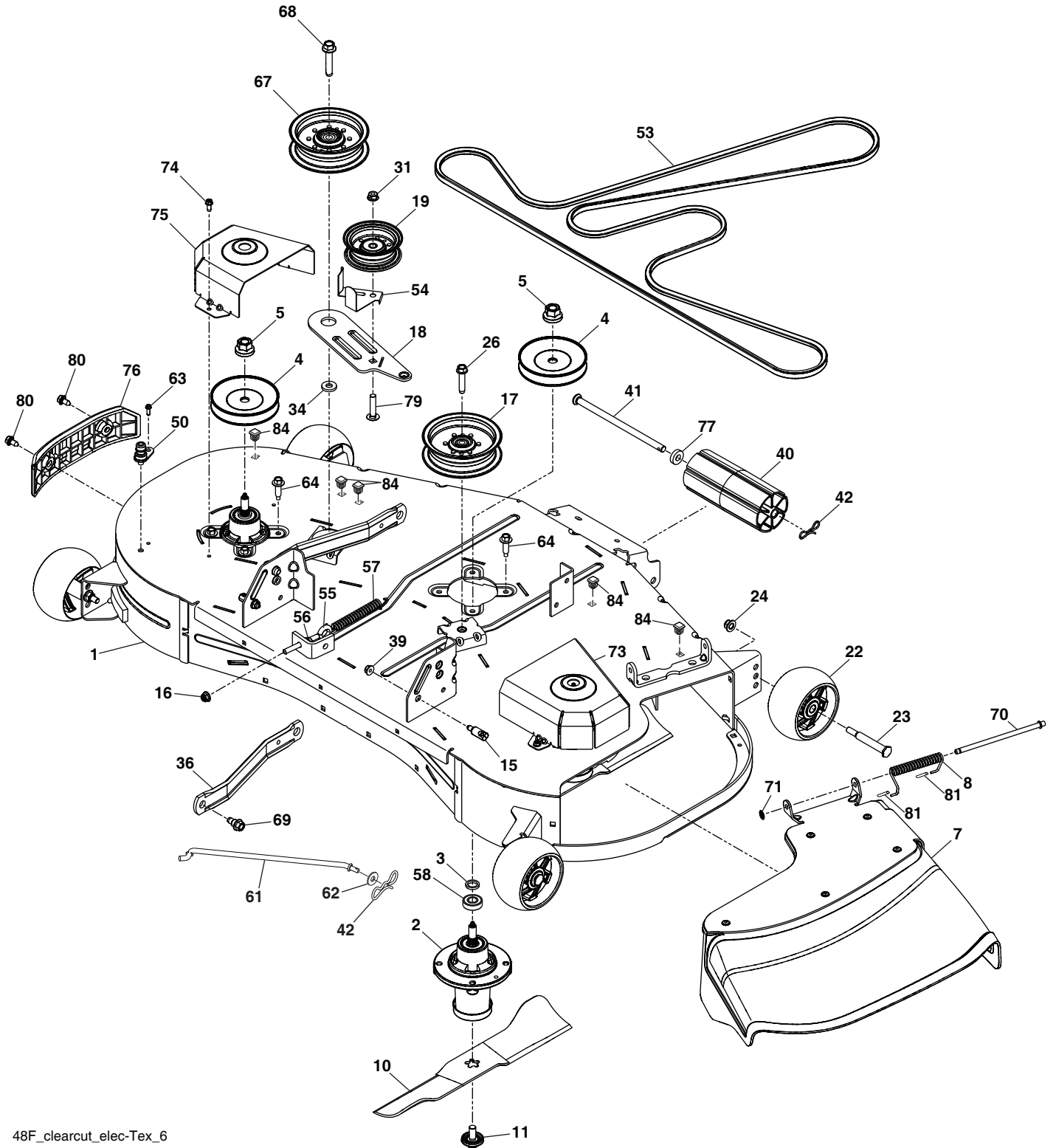
steering-tex_HUSQSR11_7

**TRACTOR - MODEL NO. TS 348XD (96043031900), PRODUCT NO. 960 43 03-19
STEERING ASSEMBLY**

KEY NO.	PART NO.	DESCRIPTION
1	597 86 61-01	Wheel, Steering, Kit (includes steering wheel and cap)
2	532 19 59-68	Axle Asm., Front
4	532 40 30-89	Spindle Asm., LH
5	532 40 30-90	Spindle Asm., RH
6	532 00 62-66	Washer, Thrust .75 x 1.230
7	532 12 17-48	Washer 25/32 x 1-5/8 x 16 Ga.
8	812 00 00-29	Ring, Klip #T5304-75
9	532 12 12-32	Cap, Spindle
13	532 12 17-49	Washer 25/32 x 1-1/4 x 16 Ga.
14	596 23 87-01	Washer, Spring Lock
15	873 54 06-00	Nut, Crown Lock 3/8-24 unf
16	587 01 60-02	Steering Shaft
19	532 19 47-29	Plate Steering
21	586 84 02-01	Adapter Wheel Steering
22	585 02 99-01	Bearing
26	594 94 91-01	Wheel Steering, Cap
27	596 93 34-01	Washer, Plain
28	817 00 06-12	Screw 3/8-16 x 3/4
35	532 19 47-32	Gear, Sector Plate
45	587 01 64-01	Washer 3/8 ID 2-3/8 OD 12 Ga. PLTD
50	873 90 06-00	Nut Lock Flg 3/8-16 unc
53	532 18 89-67	Washer Hardened .793 x 1.637 x .060
54	874 76 06-36	Bolt Hex 3/8-16 x 2-1/4
55	532 41 47-36	Spacer Axle Brace
58	532 19 47-47	Bolt Shoulder Sector Pivot CFM
59	532 19 47-48	Washer Thrust Sector Steering
60	873 97 10-00	Nut Flange Lock 5/8-11
61	597 07 02-02	Draglink LH
62	597 07 03-02	Draglink, RH
63	817 00 05-12	Screw 5/16-18 x 3/4
64	532 19 98-49	Retainer Clip Spring Steering
65	532 19 47-34	Brace Axle Front
66	871 02 07-48	Bolt Hex Fghd 7/16-14 x 3 Serr
67	532 19 47-37	Bushing Front Axle
68	873 90 07-00	Nut Lock Flange 7/16-14 Gr. 5
69	532 19 91-62	Washer 1.5 x .505 x .118
70	585 33 88-01	Bracket Deck Susp. Front
75	580 68 37-01	Pinion
76	580 68 36-01	Screw Head Sock
78	532 05 70-79	Washer Thrust
122	532 44 49-62	Cap Gear Sector

NOTE: All component dimensions given in U.S. inches
1 inch = 25.4 mm

TRACTOR - MODEL NO. TS 348XD (96043031900), PRODUCT NO. 960 43 03-19
MOWER DECK



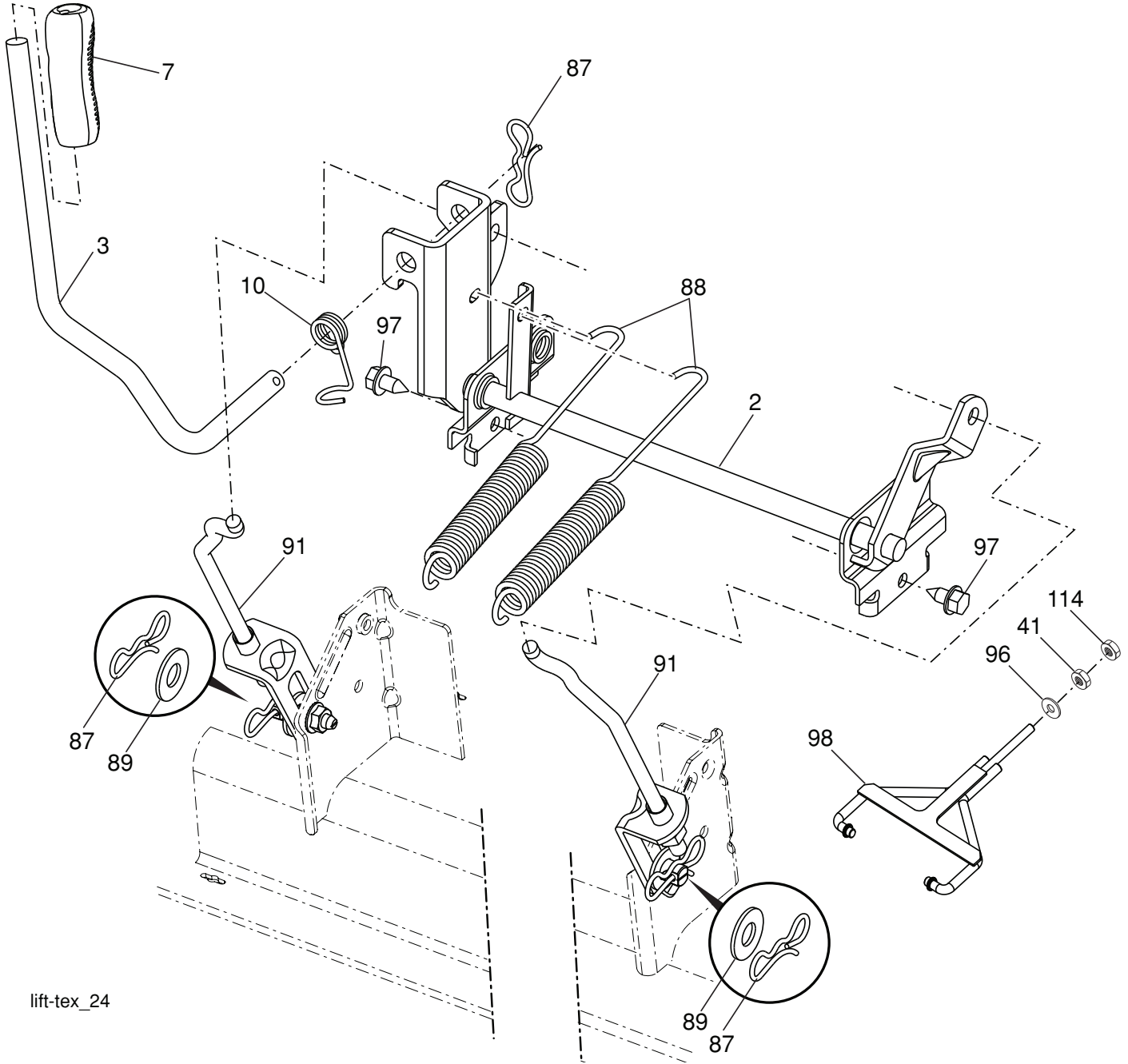
48F_clearcut_elec-Tex_6

**TRACTOR - MODEL NO. TS 348XD (96043031900), PRODUCT NO. 960 43 03-19
MOWER DECK**

KEY NO.	PART NO.	DESCRIPTION	KEY NO.	PART NO.	DESCRIPTION
1	583 81 00-01	Deck	55	596 24 08-01	Eyebolt 5/16-18 x 3-1/2
2	539 13 18-98	Housing Assembly	56	596 03 92-01	Nut 5/16-18 Hx
3	532 18 76-90	Washer-Spacer	57	587 35 84-01	Spring Extn.
4	532 17 34-34	Pulley, Mandrel	58	532 11 04-85	Ball Bearing
5	596 13 48-01	Nut, Hex, 9/16-18 x 1.010	61	596 27 44-01	Rod Anti-Sway
7	593 64 97-01	Deflector Asm. 48"	62	596 13 32-01	Washer 13/32 x 13/16 x 12 Ga.
8	587 35 47-01	Spring - Torsion	63	817 49 04-10	Screw 1/4-20 x 5/8 Hx Self Tap ZD
10	588 81 10-02	Blade	64	584 95 39-01	Bolt Hex Washer Head .313-18 x 1.19
11	532 19 30-03	Bolt Washer Assy 7/16-20	67	532 19 61-06	Pulley Idler
15	532 19 51-61	Stud, Fasten w/ Anti- Rotate	68	596 56 40-03	Bolt, Hex, 3/8-16 x 1-7/8, Clr, Znc
16	539 11 28-99	Nut 5/16-18 Hx Flng NYLOC	69	532 19 65-39	Bolt Shoulder
17	532 19 61-04	Pulley, Idler Spec. Hub	70	595 29 70-01	Rod Hinge
18	588 81 22-02	Arm Idler	71	532 11 04-52	Nut Push
19	532 19 31-97	Pulley, Idler	73	588 81 24-02	Cover Mandrel RH
22	589 52 73-01	Wheel, Gauge	74	532 13 77-29	Screw Thdrl 1/4-20 x 5/8
23	596 43 44-04	Bolt Shoulder 3/8-16 x 3-5/8	75	588 81 31-02	Cover Mandrel LH
24	521 99 65-02	Nut 3/8-16 Hex Flg Nyloc	76	582 54 11-03	Bumper Side Trim
26	588 43 83-01	Screw 7/16-14 x 2.125 Wsh	77	582 36 05-01	Bushing Nose Roller
31	873 90 06-00	Nut Lock Flng 3/8-16 unc	79	596 13 62-01	Bolt, Cup Head, 3/8-16 x 3/4
34	532 17 85-15	Washer, Flat Hardened	80	532 17 01-65	Bolt 5/16
36	587 14 05-02	Arm, Susp., Rear	81	532 10 53-04	Cap Sleeve
39	596 13 57-01	Nut Lock 5/16-18 x .68	84	596 95 22-01	Plug, Hole
40	532 17 60-66	Roller, Nose, 48"	--	532 41 64-05	Connect Quick Coupling
41	594 09 25-01	Rod, Roller, Nose, Narrow	--	589 42 88-01	Deck SVC 48F
42	532 19 42-08	Pin Cotter			
50	532 41 55-98	Washout Port			
53	588 81 43-01	Belt, Deck			
54	532 14 10-43	Guard, Belt			

NOTE: All component dimensions given in U.S. inches
1 inch = 25.4 mm

**TRACTOR - MODEL NO. TS 348XD (96043031900), PRODUCT NO. 960 43 03-19
MOWER LIFT**



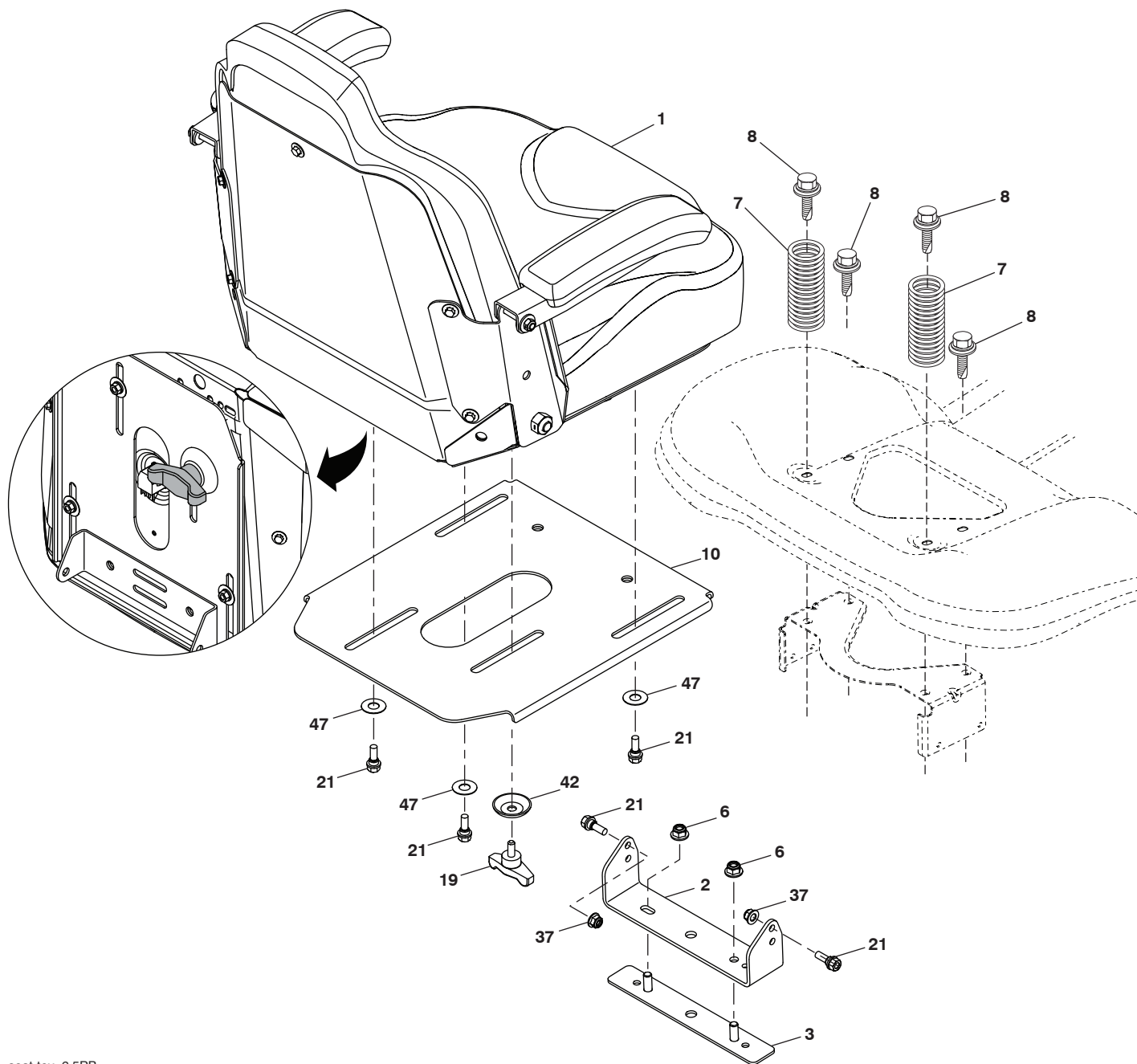
lift-tex_24

KEY NO.	PART NO.	DESCRIPTION
2	532 42 20-27	Shaft Asm., Lift
3	596 27 06-01	Lever Asm., Lift Handle
7	580 96 23-01	Grip, Lever
10	532 19 63-14	Spring Torsion
41	589 46 49-02	Nut Lift Link
87	532 19 42-09	Pin Cotter 7/16 Bow Tie Lock
88	532 19 53-04	Spring Lift Assist
89	819 19 19-12	Washer Clear Zinc

KEY NO.	PART NO.	DESCRIPTION
91	589 46 48-05	Lift Asm., Rear
96	593 84 21-01	Bushing
97	817 00 06-12	Screw 3/8-16 x .75
98	574 82 25-01	Link Lift Susp. Front Mower
114	873 36 07-00	Nut Jam 7/16-20

NOTE: All component dimensions given in U.S. inches
1 inch = 25.4 mm

TRACTOR - MODEL NO. TS 348XD (96043031900), PRODUCT NO. 960 43 03-19 SEAT ASSEMBLY



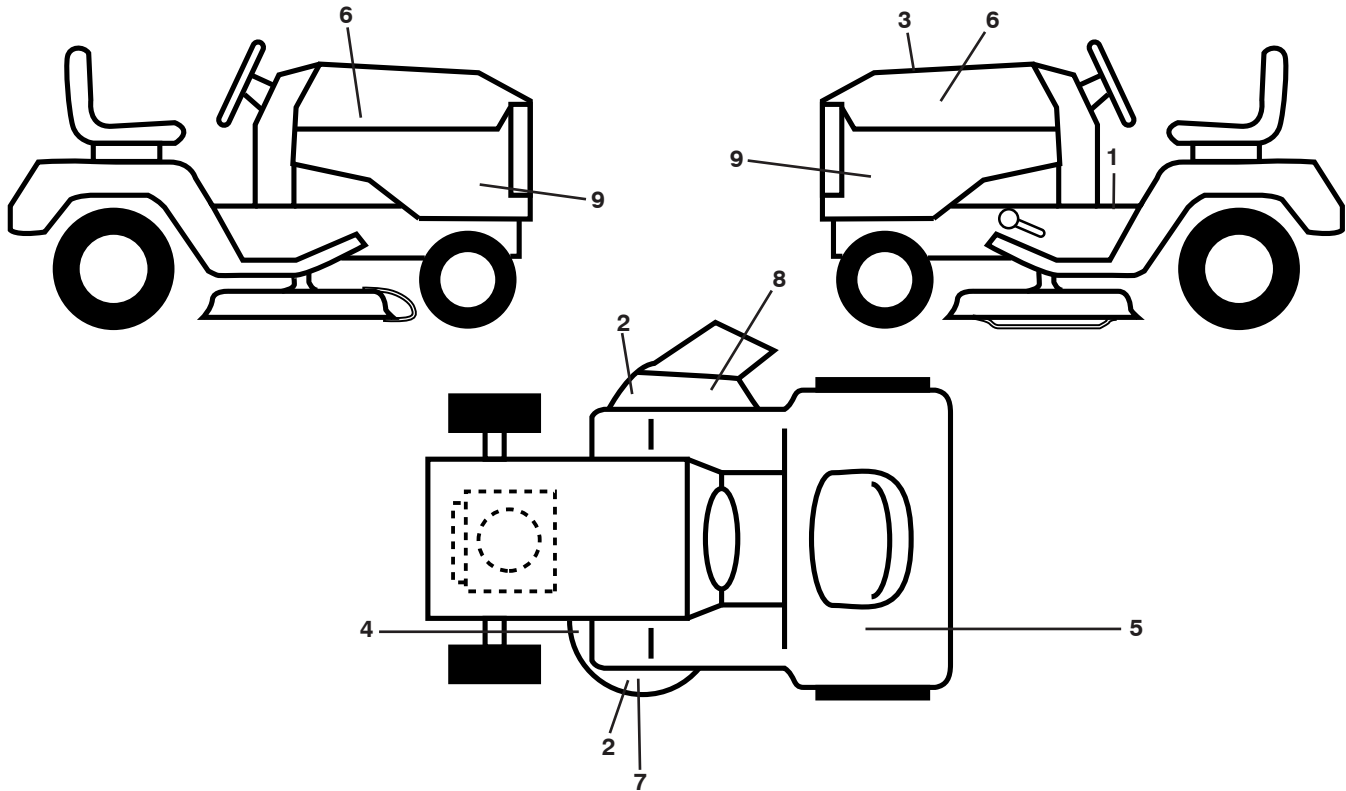
seat-tex_6.5PB

KEY NO.	PART NO.	DESCRIPTION
1	590 33 73-01	Seat
2	590 33 66-02	Bracket Pivot Fender
3	590 77 76-02	Brkt, Asm Fender
6	521 99 65-02	Nut 3/8-16 Hex Fig Nyloc
7	590 81 23-01	Spring, Seat Cprsn
8	532 17 18-77	Bolt 5/16-18 unc x 3/4 w/Sems
10	590 48 17-02	Seat, Plate, Brkt.
19	590 69 15-01	Knob Seat 5/16-18 x 3/4

KEY NO.	PART NO.	DESCRIPTION
21	596 23 11-01	Bolt, Shoulder 5/16-18 x .910
37	539 11 28-99	Nut, Hex 5/16-18 unc
42	532 19 93-71	Washer Cup
47	590 35 11-01	Washer Nylon 50 x 1.12 x 003

NOTE: All component dimensions given in U.S. inches
1 inch = 25.4 mm

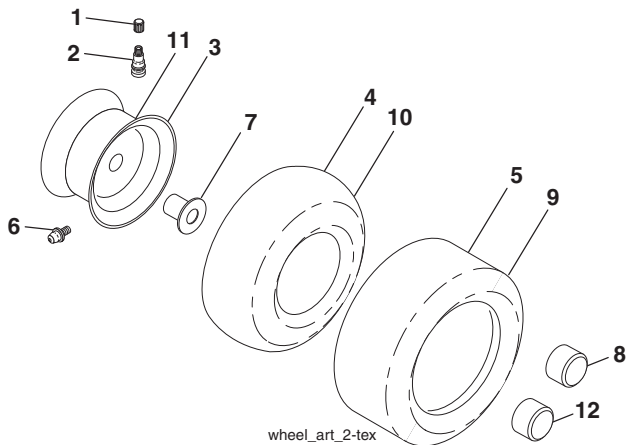
**TRACTOR - MODEL NO. TS 348XD (96043031900), PRODUCT NO. 960 43 03-19
DECALS**



KEY NO.	PART NO.	DESCRIPTION
1	581 57 90-01	Decal, Warning
2	589 35 79-01	Decal, No Step
3	589 62 66-01	Decal, Replacement
4	581 58 00-02	Decal, Deck Belt Routing
5	597 47 01-01	Decal, Reserve Fuel, English
6	581 62 73-01	Decal, Hood Logo
7	590 88 50-01	Decal, Deck 48 CC
8	586 97 88-01	Decal, Deflect. Warning
9	591 44 85-01	Decal, Panel Side

KEY NO.	PART NO.	DESCRIPTION
--	585 91 01-01	Decal, Warranty Fab Deck
--	581 57 90-01	Decal, FNDR Warn.
--	581 72 48-01	Decal, Bypass
--	532 43 98-82	Pad, Footrest, LH
--	532 43 98-81	Pad, Footrest, RH
--	114 19 35-49	Manual, Operator's (English/Spanish)
--	114 19 37-32	Manual, Operator's (French)
--	114 19 50-27	Manual, Part's (English)
--	587 71 00-26	Manual, QSG Husq (English/Spanish)
--	587 71 01-26	Manual, QSG Husq (French)

WHEELS AND TIRES



KEY NO.	PART NO.	DESCRIPTION
1	532 05 91-92	Cap, Valve, Tire
2	532 06 51-39	Stem, Valve
3	532 18 18-39	Rim Assembly, Front
4	532 00 81-34	Tube, Front (Service Item Only)
5	593 14 51-01	Tire, Front 16 x 6.5-8
6	532 00 02-78	Fitting, Grease (Front Wheel Only)
7	532 00 90-40	Bearing, Flange (Front Wheel Only)
8	532 17 50-39	Cap, Axle, Front
9	593 14 52-01	Tire, Rear 23 x 10.5-12
10	532 00 71-54	Tube, Rear (Service Item Only)
11	593 14 48-01	Rim Assembly, Rear
12	501 50 31-01	Cap, Hub, GT, PM, Black, Rear
--	532 14 43-34	Sealant, Tire (10 oz. Tube)

NOTE: All component dimensions given in U.S. inches
1 inch = 25.4 mm



www.husqvarna.com