

SUBMITTAL DATA



INFRASAVE GAS FIRED INFRA-RED HEATERS LUMINOUS SERIES

IL

PROJECT:	
ENGINEER:	
CONTRACTOR:	
DISTRIBUTOR:	
INFRASAVE MODEL #:	
FUEL:	
APPROVED BY:	
DATE:	
APPROVAL #:	



NOTICE:

InfraSave reserves the right to make changes to equipment and specifications without obligation or notification.

This publication, or parts thereof, may not be reproduced in any form, without prior written consent from InfraSave. Unauthorized use or distribution of this publication is strictly prohibited.

*InfraSave
Mississauga, Ontario,
Waynesboro, Georgia,
Phone: 1-866-INFRA SV (463-7278)
Fax: 1-866-724-9265*

<http://www.infrasave.com>

e-mail: info@infrasave.com

DIAGRAMS AND SPECIFICATIONS:

DIMENSION DIAGRAM FOR THE LUMINOUS HEATERS

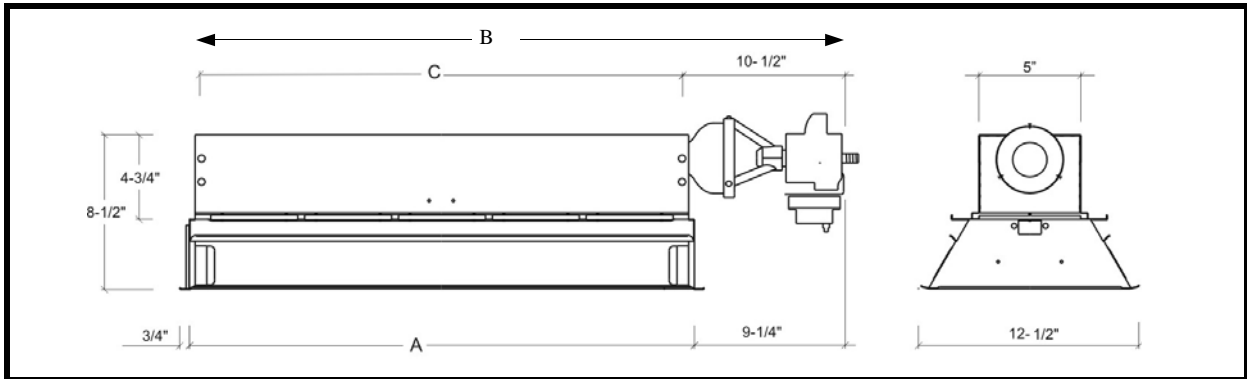


TABLE 1: DIMENSIONS :

MODEL NO.	A	B	C	RATING BTU/HR	WEIGHT LBS.
IL 25	12 5/8"	22 3/4"	14"	21,500	22
IL 37	19 3/4"	30 1/2"	18 1/4"	34,000	26
IL 50	27 1/8"	38 3/8"	25 1/2"	50,000	31
IL 75	38"	49 15/16"	36 3/8"	75,000	38
IL 100	52 3/4"	63 3/4"	51"	100,000	45

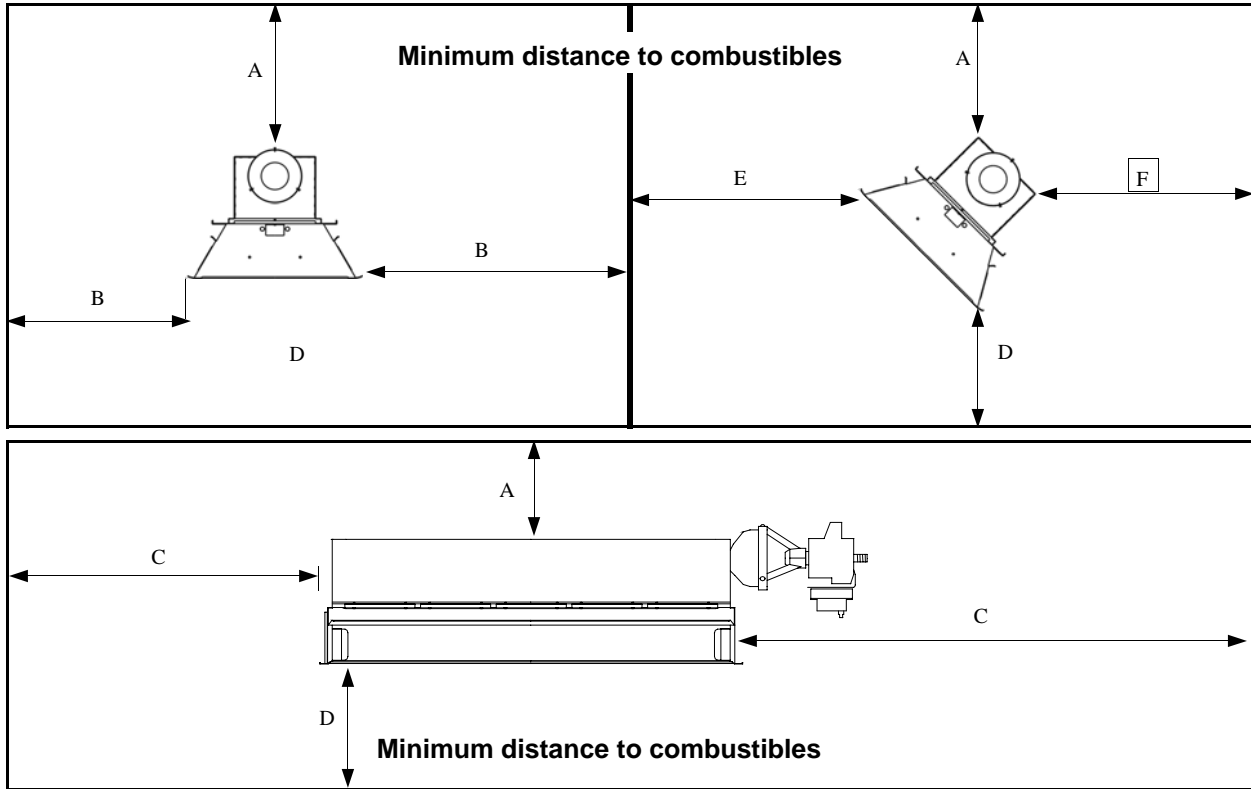
* BTU Inputs: IL-X 37 NG - 34,000 & IL-X 37 LP - 33,000

GAS SUPPLY	NATURAL GAS	MINIMUM LINE PRESSURE MAXIMUM LINE PRESSURE MANIFOLD PRESSURE	6" w.c. 14" w.c. 5" w.c.	1/2" GAS INLET PIPE SIZE
	PROPANE GAS	MINIMUM LINE PRESSURE MAXIMUM LINE PRESSURE MANIFOLD PRESSURE	11" w.c. 14" w.c. 10" w.c.	

MODEL & SIZE CONFIGURATION	VOLTAGE	CURRENT	CAPACITY: BTU/HR INPUT	TOTAL WEIGHT IN LBS.
IL 25 <input type="checkbox"/>	24 VAC	0.55 AMPS	21, 500	22
IL 37 <input type="checkbox"/>			34, 000	18
IL 50 <input type="checkbox"/>			50, 000	24
IL 75 <input type="checkbox"/>			75, 000	29
IL 100 <input type="checkbox"/>			100, 000	35

* BTU Inputs: IL-X 37 NG - 34,000 & IL-X 37 LP - 33,000

MOUNTING DIAGRAM FOR COMBINED INTENSITY HEATERS



CLEARANCES TO COMBUSTIBLES CHART :

HEATER MODEL NO	TOP < A >	SIDE < B >	END < C >	BOTTOM < D >	FRONT < E >	REAR < F >
IL 25 N/L	24"	27"	24"	60"	60"	24"
IL 37 N/L	24"	27"	24"	60"	60"	24"
IL 50 N/L	24"	27"	24"	78"	78"	24"
IL 75 N/L	30"	33"	30"	84"	84"	30"
IL 100 N/L	36"	33"	30"	84"	84"	30"

SUGGESTED MOUNTING DISTANCES FOR COMFORT:

HEATER MODEL NO	MINIMUM FLOOR HEIGHT < >	MAXIMUM DISTANCE BETWEEN HEATERS	MAXIMUM DISTANCE BETWEEN ROWS
IL 25 N/L	16'	22'	30'
IL 37 N/L	16'	22'	30'
IL 50 N/L	20'	28'	40'
IL 75 N/L	24'	34'	50'
IL 100 N/L	28'	39'	70'

