

# MODEL 441-10A

Emergency Sump Pump System

# Liberty Pumps®

A Family and Employee Owned Company

## 12V Battery Operated

Works automatically when power fails!

### Includes

- High output 12V submersible pump with integral check valve
- Automatic, mercury-free switch
- Battery box (battery not included)
- 12V Charger
- 1-1/2" Back-up connection tee, primary pump check valve, and slip coupler provided

### Charger Features

- Audible in-use alarm and light
- Self-resetting 24 hour silence
- Advanced 10A switch mode charger
- Energy efficient
- Meets US DOE and California CEC energy efficiency standards
- Battery voltage displayed on front panel



innovate. evolve.

# Model 441-10A

## Features

- 2 Different modes charge and maintain your battery at peak performance
  - 10A bulk charging mode
  - 5A maintenance cycle charging mode
- Charger automatically switches to maintenance mode when battery is charged
- 10A charging is time limited to 19 hours, to prevent overcharging
- Charger monitors maintenance charge cycle to identify aging batteries with damaged cells or reduced capacity. Alarm will sound to notify user for battery replacement
- 7 LEDs transmit critical system information at a glance
- Easy wiring, all connections are made via quick-disconnect tabs on a single wiring harness
- Battery voltage displayed on charger
- Reverse battery alarm
- Short circuit protection
- Fully assembled compact float switch

Charger compatible with Group 27 or 31, AGM, Gel, and Wet cell batteries (battery not included with system)

## Charger Specifications

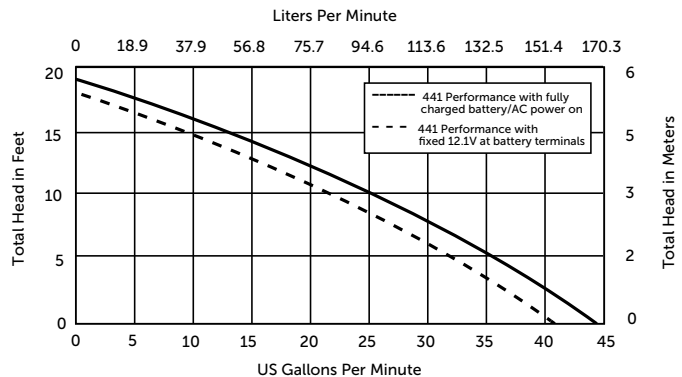
**Input:** 120 VAC at 50/60 Hz, 3A

**Output:** 12 VDC, 10A

**Note:** Battery life will vary based on number of pump cycles, length of cycle time and pumping head. Under a continuous run condition, the Group 31 battery will last up to 4.25 hours. Under a cycling condition, (10 gallons per pump cycle at 10' of lift, 4 cycles per hour) the Group battery 31 will last up to 6 days.



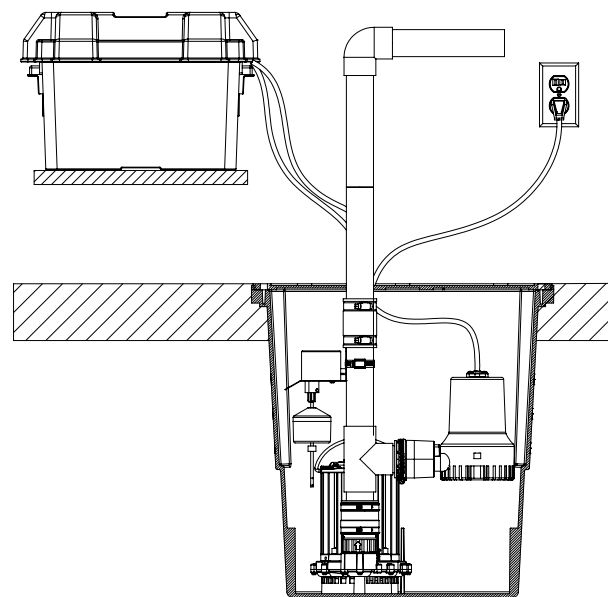
## Performance Curve



## Controller Display



## Typical Installation Diagram



Specifications subject to change without notice.

Copyright © Liberty Pumps, Inc. 2021 All rights reserved. LLIT006783-R01/21

Liberty Pumps - 7000 Apple Tree Avenue - Bergen, New York 14416  
Phone 800-543-2550 - Fax 585-494-1839 - www.LibertyPumps.com