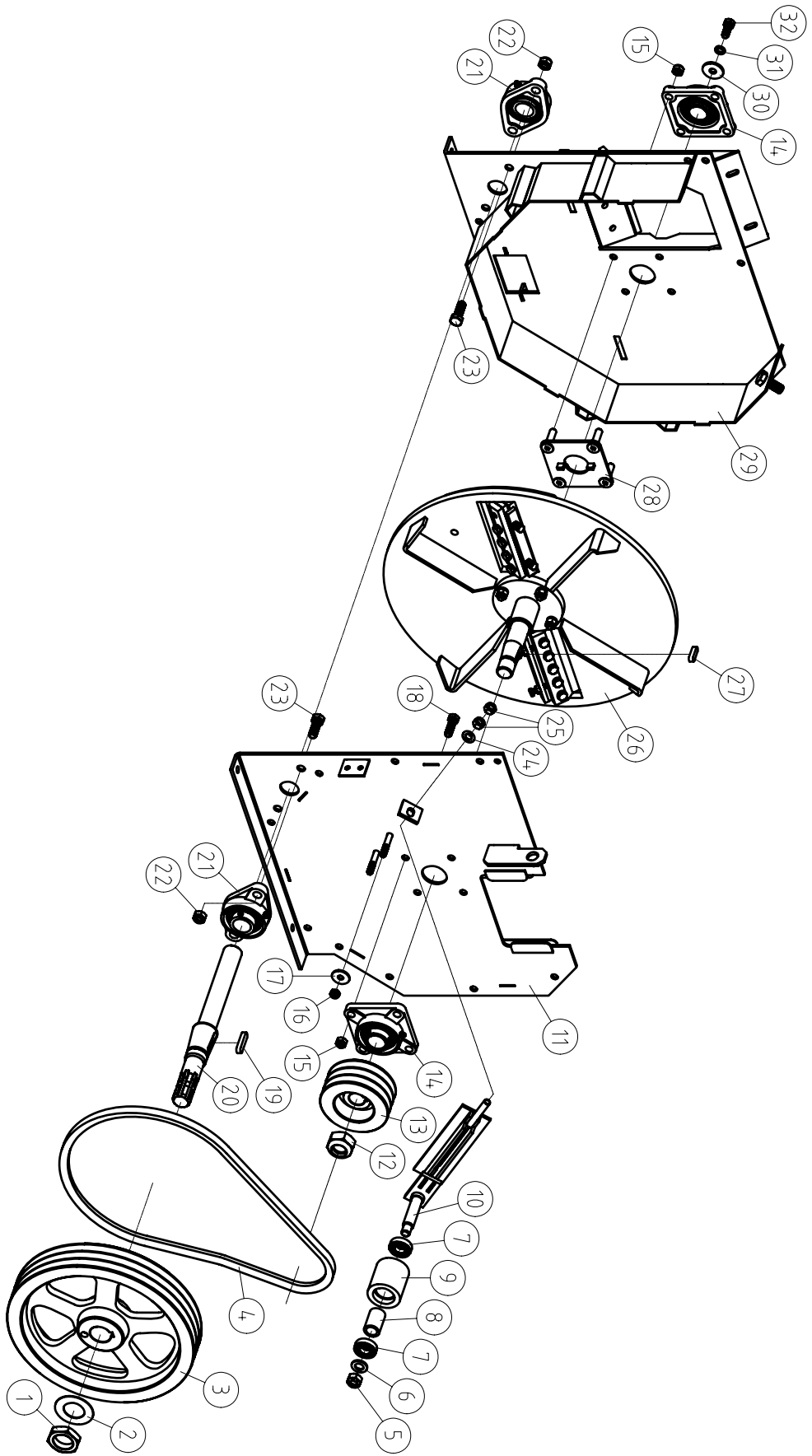
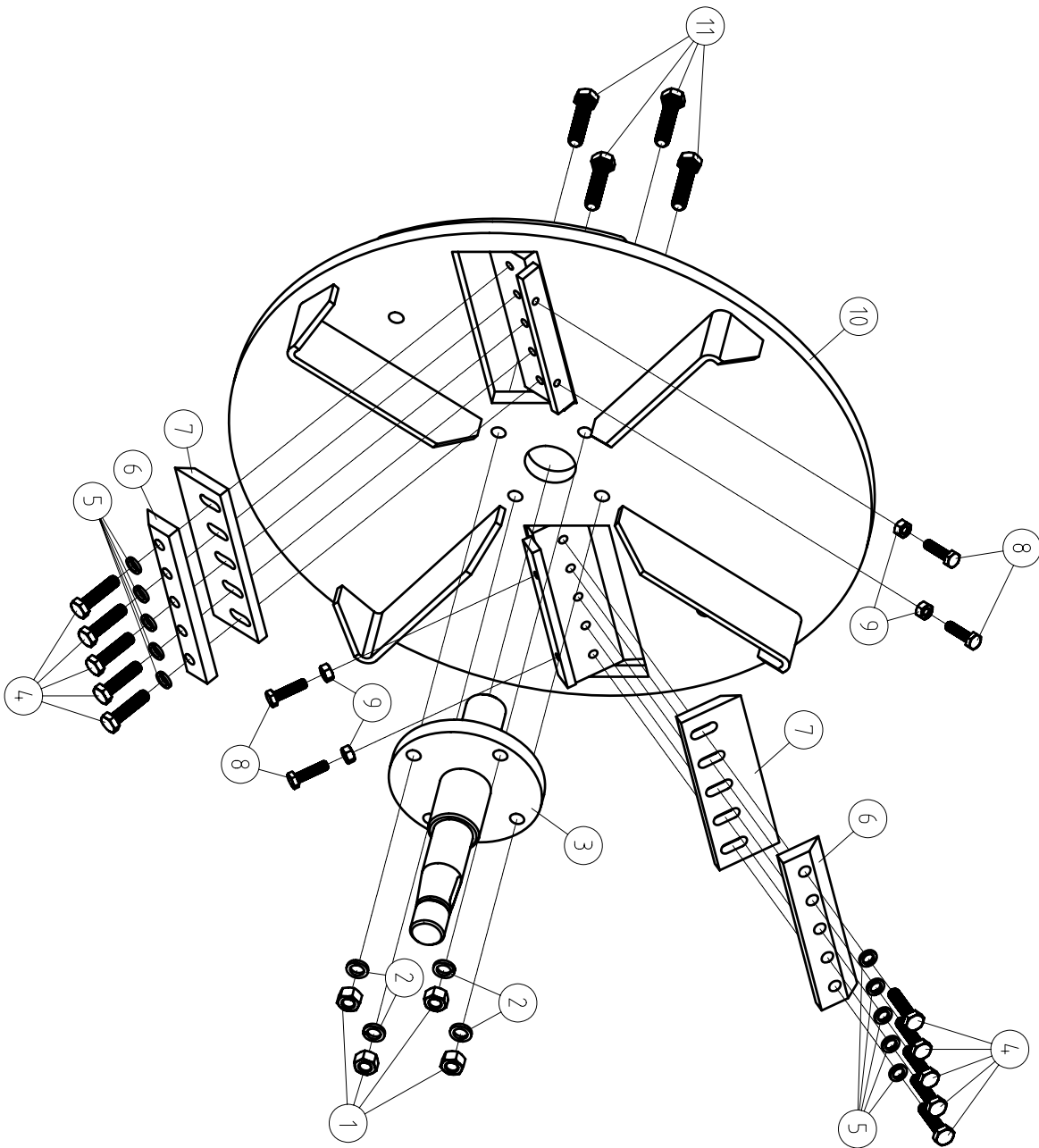


<b>NO.</b>	<b>PART NO.</b>	<b>PARTS DESCRIPTION</b>
1	GB6184-86	NUT M 8
2	GB97.1-85	WASHER 8
3	FM120.00.401	PTO GUARD
4	WCL5-03011	GUARD OF BELT PULLEY
5	GB5783-86	BOLT M 8×20
6	WCL5-00019	REAR GUARD OF BELT PULLEY
7	WCL5-00011	CHIPPER SEAT WELDMENT
8	GB5783-86	BOLT M12×30
9	WCL5-00101	PIN FOR DOWN-LINK
10	200.56.011	PIN & LOCKING PIN
11	EF100.00.019	PIN FOR UP-LINK
12	GB6184-86	NUT M12
13	GB97.1-85	PLAIN WASHER 12
14	WCL5-00133	LOCKING PIN
15		SMALL R PIN
16	WCL5-00017	SUPPORT
17	WCL5-00103	COVER BOARD
18	WCL5-00013	LOCK NUT
19	WCL5-00012	PROTECTIVE COVER
20	GB6184-86	NUT M10
21	GB97.1-85	PLAIN WASHER 10
22	GB5783-86	BOLT M10×25
23	WCL5-00015	DISCHARGE PIPE
24	GB5782-86	BOLT M12×140
25	GB5783-86	BOLT M10×30
26	GB93-87	SPRING WASHER10
27	WCL5-00113	UPPER COVER BOARD
28	GB70.3-2000	BELT M10×30
29	WCL5-02101	BLADE
30	GB62-1988	NUT M16
31	GB97.1-85	PLAIN WASHER 16
32	WCL5-00104	COMPACT BOARD
33	WCL5-00105	RUBBER WASHER
34	WCL5-02011	SUPPORT WELDMENT
35	GB5782-86	BOLT M12×130
36	GB6184-86	NUT M 6
37	GB97.1-85	PLAIN WASHER 6
38	WCL5-00021	COVER
39	GB5783-86	BOLT M 6×20
40	WCL5-00020	DOWN COVER BOARD
41	WCL5-00110	RUBBER BLOCK BOARD
42	WCL5-00111	COMPACT BOARD
43	WCL5-00014	CHARGE BUCKET
44	GB5783-86	BOLT M 8×30



<b>NO.</b>	<b>PART NO.</b>	<b>PARTS DESCRIPTION</b>
1	WCL5-00114	NUT M40×1.5
2	WCL5-00115	LOCKING WASHER
3	WCL5-00112	BELT PULLEY
4	GB11544-97	BELT B1443
5	GB6184-86	NUT M16
6	GB97.1-85	PLAIN WASHER 16
7	GB278-89	BEARING 104
8	WCL5-00107	SPACER
9	WCL5-00106	TENSION WHEEL
10	WCL5-00016	SUPPORT IF TENSION WHEEL
11	WCL5-00017	COVER
12	GB6184-86	NUT M30×1.5
13	WCL5-00108	SMALL BELT PULLEY
14	UCF207	BEARING SEAT F207
15	GB6184-86	NUT M12
16	GB6184-86	NUT M10
17	GB5287-85	BIG PLAIN WASHER 10
18	GB5783-86	BELT M12×40
19	GB1096-2003	PLAIN KEY 12×50
20	WCL5-00109	DRIVE SHAFT
21	UCFL207	BEARING SEAT FL207
22	GB6184-86	NUT M14
23	GB5783-86	BELT M14×45
24	GB97.1-85	PLAIN WASHER 12
25	GB6170-86	NUT M12
26	WCL5-01001	FLY WHEEL ASSEMBLY
27	GB1096-2003	PLAIN KEY 10×35
28	WCL5-00018	SUPPORT BEARING SEAT
29	WCL5-02011	COVER
30	MZ105.115	LOCKING WASHER
31	GB93-87	PLAIN WASHER12
32	GB5783-86	BELT M12×30



NO.	PART NO.	PARTS DESCRIPTION
1	GB6170-86	NUT M12
2	GB93-87	SPRING WASHER 12
3	WCL5-01011	FLY WHEEL AXLE WELDMENT
4	GB5783-86	BELT M10×40
5	GB93-87	SPRING WAHSER10
6	WCL5-01102	SUPPORT OF BLADE
7	WCL5-01101	BLADE
8	GB5783-86	BELT M 8×30
9	GB6170-86	NUT M 8
10	WCL5-01010	FLY WHEEL