

5.5 SERIES - 1/4 HP

APPLICATIONS

Basement sumps

FEATURES

- PSC motor with thermal overload protection
- Integral snap-action float switch
- 1-1/2" discharge
- 3/4" GHT (19mm) garden hose adapter included
- 120 °F (49 °C) liquid temperature rating
- cCSAus listed



SERIES SPECIFICATIONS

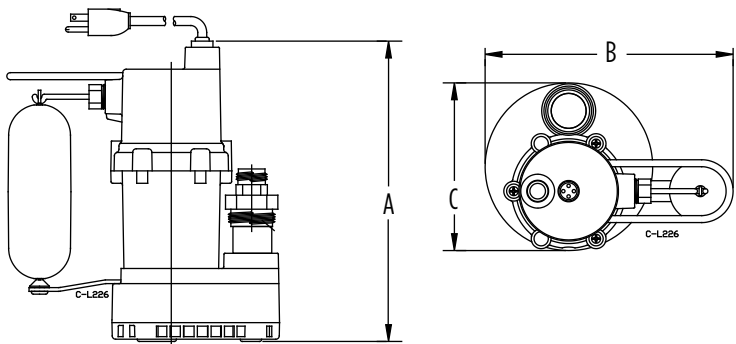
| Model | HP | Volts | Hz | Amps | | Watts | Max. Water Temp. | GPM / Liters per Minute @ Height | | | Shut-Off | |
|----------|-----|-------|----|------|-------|-------|------------------|----------------------------------|-------------|---------------|-----------|-------------|
| | | | | FLA | Start | | | 5 ft / 1.5 m | 10 ft / 3 m | 20 ft / 6.1 m | ft / m | PSI / Bar |
| 5.5-ASPA | 1/4 | 115 | 60 | 3.5 | 9 | 350 | 120F | 35 / 132 | 30 / 114 | 10 / 38 | 25 / 7.62 | 10.8 / 0.69 |

| Item No. | Model | HP | Volts | Switch Type / Operation | On Level | Off Level | Cord | Weight |
|----------|----------|-----|-------|----------------------------|---------------------------|-------------------------|--------------|----------------------|
| 505702 | 5.5-ASPA | 1/4 | 115 | Integral Snap-Action Float | 7" - 10" 18 cm - 25 cm | 2" - 5" 5 cm - 13 cm | 10' 3 m | 10.25 lbs 4.65 Kg |
| 505703 | 5.5-ASPA | 1/4 | 115 | Integral Snap-Action Float | 7" - 10" 18 cm - 25 cm | 2" - 5" 5 cm - 13 cm | 25' 7.6 m | 11.5 lbs 5.22 Kg |

SUMP PUMPS

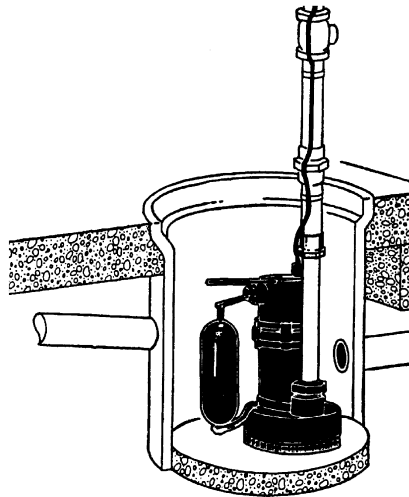
5.5 SERIES - 1/4 HP

ENGINEERING DATA

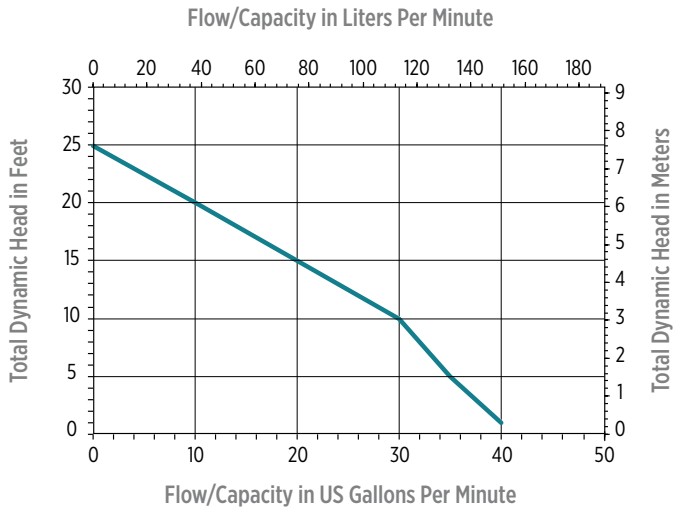


| A | B | C |
|------------------|----------------|---------------|
| 10.8" (274.8 mm) | 10.4" (264 mm) | 8.7" (221 mm) |

TYPICAL INSTALLATION



PERFORMANCE DATA



CONSTRUCTION

| | |
|--------------------------|-------------------------------|
| Motor Housing | Aluminum |
| Impeller Material | Nylon |
| Impeller Type | Non-clog |
| Volute | Polypropylene |
| Motor Shaft | 440C SS |
| Shaft Seal | Mechanical |
| Fasteners | Stainless steel |
| Bearings | Upper and lower ball bearings |
| Power Cord | SJTW-A |

