

## 16G SERIES - 1 HP

### APPLICATIONS

Offered in 115V and 230V options, the 16G Series is designed as a new or replacement grinder pump for the toughest residential and light commercial wastewater applications. Ideal for use as a drop-in replacement for any effluent or sewage pump struggling with clogs and binding.

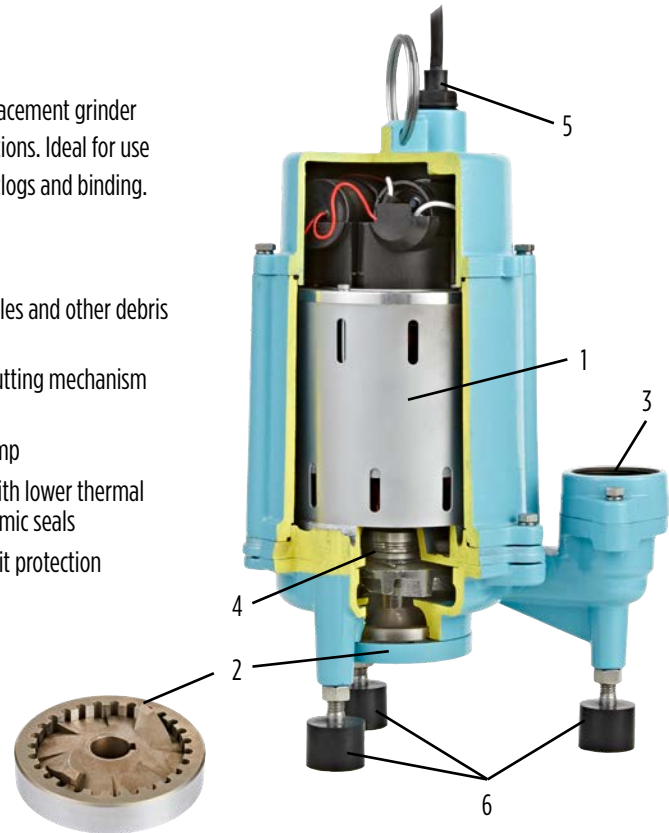
### FEATURES

1. Heavy-duty 1 hp Class F motor provides optimal power to prevent flushables and other debris from causing clogs and downtime
2. Superior grinding capability with proven results based on the patented cutting mechanism renowned in Franklin Electric's 2 hp grinder pump
3. 1-1/4" discharge and 2" NPT adapter discharge preassembled onto the pump
4. Silicon carbide mechanical seal provides up to six times longer seal life with lower thermal expansion and higher abrasion resistance when compared to carbon ceramic seals
5. Easily replaceable, 20' power cord is sealed at the connection point for unit protection against water
6. Non-skid adjustable legs for stability
7. Vertical switch on 115V and 230V models

### SERIES SPECIFICATIONS

Performance (GPM @ Height in Feet)					Shut-Off (ft)	PSI
10'	20'	30'	40'	50'		
49.3	43.9	37.5	28.7	15.3	53	22.9

Item No.	Model No.	HP	Voltage	Hz	Phase	FLA	Cord	Switch Type / Operation	Discharge	Weight (lbs)
509809	16G-M151-20	1.0	115	60	1	12.5	20'	Manual	1-1/4" or 2"	76
509810	16G-F151-20	1.0	115	60	1	12.5	20'	Piggyback Tethered Float	1-1/4" or 2"	78
509811	16G-V151-20	1.0	115	60	1	12.5	20'	Piggyback Vertical Float	1-1/4" or 2"	78
509812	16G-M231-20	1.0	230	60	1	6.5	20'	Manual	1-1/4" or 2"	76
509813	16G-F231-20	1.0	230	60	1	6.5	20'	Piggyback Tethered Float	1-1/4" or 2"	78
509814	16G-V231-20	1.0	230	60	1	6.5	20'	Piggyback Vertical Float	1-1/4" or 2"	78



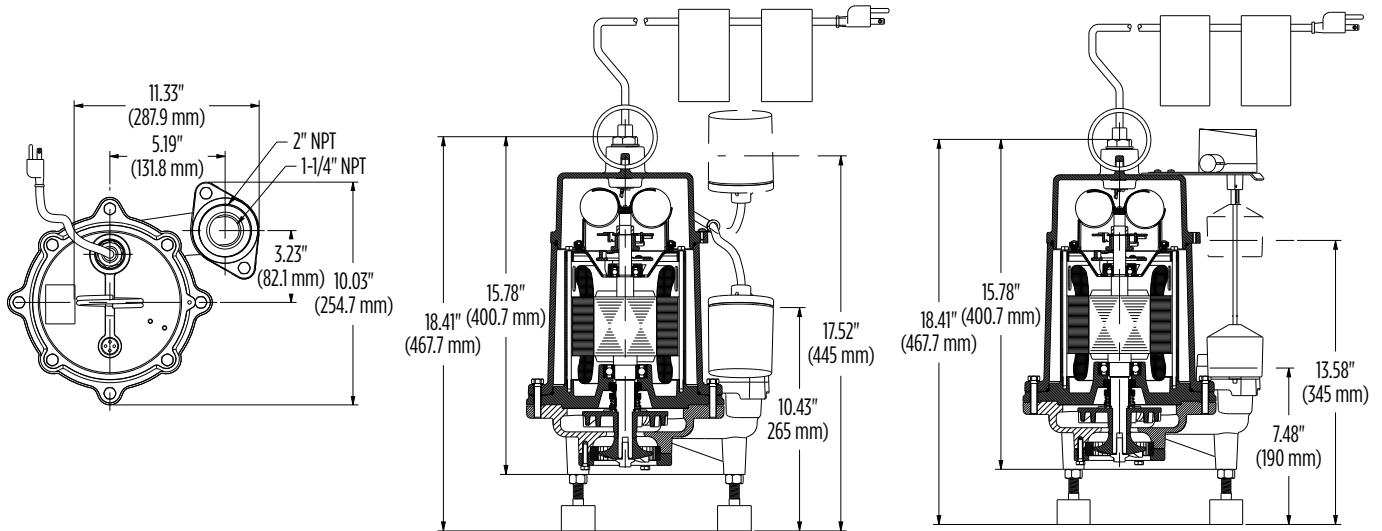
### SWITCH OPTIONS



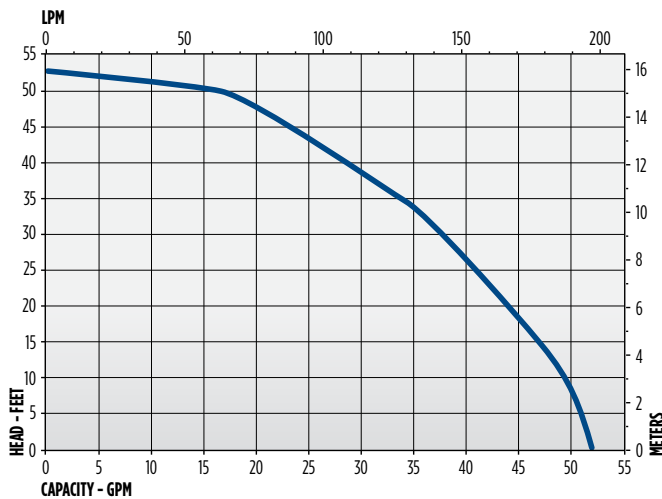
# GRINDER PUMPS

## 16G SERIES - 1 HP

### ENGINEERING DATA



### PERFORMANCE DATA



### CONSTRUCTION

<b>Cover, Housing, Volute, Impeller</b>	Cast Iron
<b>O-rings</b>	NBR
<b>Motor Design</b>	Capacitor start, capacitor run
<b>Power Cord</b>	SJOOW
<b>Insulation Class</b>	F
<b>Overload Protection</b>	Internal, on-winding
<b>Motor Shaft</b>	420 stainless steel
<b>Hardware</b>	Stainless steel
<b>Mechanical Seal</b>	Silicon carbide and silicon carbide
<b>Cutting Mechanism</b>	440 stainless steel (56-60 Rockwell)