

Job Name:

System Reference:

Date:

Indoor Unit:
PKA-A18HA7

Outdoor Unit:
 PUY-A18NKA7
 PUY-A18NKA7-BS



INDOOR UNIT FEATURES

- Sleek, compact design
- Simple installation
- Vane setting for air flow direction control
- Auto fan speed mode
- Ideal for spaces such as server rooms, daycare centers, classrooms, churches, small offices, and more

OUTDOOR UNIT FEATURES

- Variable speed INVERTER-driven compressor
- Suction accumulator pre-charged with refrigerant volume for piping length up to 100 ft (70 ft. for A12/18/24/30)
- Low ambient cooling down to -20°F providing 100% capacity (only for PUY models with wind baffles installed)
- 24-hour continuous operation (cooling mode)
- High pressure protection
- Fast restart due to bypass valve make it ideal for equipment cooling applications, such as data centers
- Superior energy and operational efficiency

SPECIFICATIONS: PKA-A18HA7 & PUY-A18NKA7(-BS)

Model Number	Indoor Unit		PKA-A18HA7
	Outdoor Unit		PUY-A18NKA7
			PUY-A18NKA7-BS
Cooling ¹	Maximum Capacity	Btu/h	18,000
	Rated Capacity	Btu/h	18,000
	Minimum Capacity	Btu/h	8,000
	Maximum Power Input	W	1,820
	Rated Power Input	W	1,820
	Moisture Removal	Pints/h	5.2
	Sensible Heat Factor		0.68
	Power Factor	%	95.3
Efficiency	SEER		18.5
	EER ¹		9.9
Electrical	Voltage, Phase, Frequency		208 / 230V, 1-phase, 60 Hz
	Guaranteed Voltage Range	V AC	198 – 253
	Voltage: Indoor - Outdoor, S1-S2	V AC	208 / 230
	Voltage: Indoor - Outdoor, S2-S3	V DC	24
	Voltage: Indoor - Remote controller	V DC	12
	Recommended Fuse/Breaker Size	A	15
	Recommended Wire Size (Indoor - Outdoor)	AWG	14
Indoor Unit	MCA	A	1
	Fan Motor Full Load Amperage	A	0.33
	Fan Motor Output	W	30
	Airflow Rate, Dry	CFM	320-370-425
	Airflow Rate, Wet	CFM	290-335-380
	External Static Pressure	in.WG	n/a
	Sound Pressure Level	dB(A)	36-40-43
	Drain Pipe Size	In. (mm)	5/8 (16)
	Condensate Lift Mechanism, Max. Distance	In. (mm)	n/a
	Heat Exchanger Type		Plate fin coil
	External Finish Color		White Munsell 1.0Y 9.2/0.2
	Unit Dimensions	W: In. (mm)	35-3/8 (898)
		D: In. (mm)	9-13/16 (249)
		H: In. (mm)	11-5/8 (295)
	Package Dimensions	W: In.	39-6/16
		D: In.	15-12/16
H: In.		13-6/16	
Unit Weight	Lbs. (kg)	29 (13)	
Package Weight	Lbs.	33	
Indoor Unit Operating Temperature range	Cooling Intake Air Temp (Maximum / Minimum)	°F	90 DB, 73 WB / 66 DB, 59 WB

SPECIFICATIONS: PKA-A18HA7 & PUY-A18NKA7(-BS)

Model Number	Indoor Unit		PKA-A18HA7	
	Outdoor Unit		PUY-A18NKA7	
			PUY-A18NKA7-BS	
Outdoor Unit	MCA	A	11	
	MOCP	A	28	
	Fan Motor Full Load Amperage	A	0.50	
	Fan Motor Output	W	46	
	Airflow Rate	CFM	1,590	
	Refrigerant Control	Electronic Expansion Valve		
	Heat Exchanger Type	Cross fin		
	Sound Pressure Level, Cooling ¹	dB(A)	44	
	Compressor Type	INVERTER-driven twin rotary		
	Compressor Model	SNB130FNCM2		
	Compressor Rated Load Amps	A	7	
	Compressor Locked Rotor Amps	A	12	
	Compressor Oil Type // Charge	oz.	FV50S // 16	
	External Finish Color	Ivory Munsell 3Y 7.8/1.1		
	Base Pan Heater	n/a		
	Unit Dimensions	W: In. (mm)	31-13/16 + 7/16 (809+62)	
		D: In. (mm)	11-3/16 (300)	
		H: In. (mm)	24-13/16 (630)	
	Package Dimensions	W: In.	37-1/16	
		D: In.	16-3/16	
H: In.		27-7/16		
Unit Weight	Lbs. (kg)	99 (44)		
Package Weight	Lbs. (kg)	110 (50)		
Outdoor Unit Operating Temperature Range	Cooling Intake Air Temp (Maximum / Minimum)	°F	115 DB / -20* DB	
Refrigerant	Type	R410A		
	Charge	Lbs, oz	4 lbs, 14 oz	
Piping	Gas Pipe Size O.D. (Flared)	In.(mm)	1/2 (12.7)	
	Liquid Pipe Size O.D. (Flared)	In.(mm)	1/4 (6.35)	
	Maximum Piping Length	Ft. (m)	165 (50)	
	Maximum Height Difference	Ft. (m)	100 (30)	
	Maximum Number of Bends	15		

SPECIFICATIONS: PKA-A18HA7 & PUY-A18NKA7(-BS)

Notes

AHRI Rated Conditions (Rated data is determined at a fixed compressor speed)	¹ Cooling (Indoor // Outdoor)	°F	80 DB, 67 WB // 95 DB, 75 WB
<p>*Wind baffles required to operate below 23°F DB in cooling mode. PUY with wind baffle: -20°F - 115°F. Refer to wind baffle documentation for further information.</p> <p>**System cuts out in heating mode to avoid thermistor error and automatically restarts at these temperatures.</p>			
<p>SEACOAST PROTECTION</p> <ul style="list-style-type: none"> External Outer Panel: Phosphate coating + Acrylic-Enamel coating Fan Motor Support: Epoxy resin coating (at edge face) Separator Assembly; Valve Bed: Epoxy resin coating (at edge face) “Blue Fin” treatment is an anti-corrosion treatment that is applied to the condenser coil to protect it against airborne contaminants. 			

ACCESSORIES: PKA-A18HA7

Signal Receiver	□ PAR-SA9CA-E
Wireless Remote Controller	□ PAR-FL32MA-E
Wireless Remote Receiver	□ PAR-FA32MA-E
Backlit, Wall-mounted, Wireless Controller	□ MHK1
Portable Central Controller	□ MCCH1
Wired MA Controller	□ PAR-33MAA
Simple MA Controller	□ PAC-YT53CRAU
Touch MA Controller	□ PAR-CT01MAU-SB
Wired Remote Sensor	□ PAC-SE41TS-E
Lockdown Bracket for Wireless, Hand-held, Remote Controller	□ RCMKP1CB
Wireless Temperature and Humidity Sensor	□ PAC-USWHS003-TH-1
Outside Air Sensor for MHK1	□ MOS1
Flush Mount Remote Temperature Sensor	□ PAC-USSEN001-FM-1
Wireless Interface	□ PAC-USWHS002-WF-1
Thermostat Interface	□ PAC-US444CN-1
kumo station®	□ PAC-WHS01HC-E
USNAP Interface	□ PAC-WHS01UP-E
IT Extender	□ PAC-WHS01IE-E
BACnet® and Modbus Interface	□ PAC-UKPRC001-CN-1
Connector for CN32 (remote on/off)	□ PAC-SE55RA-E
External Drain Pump	□ PAC-KE07DM-E
External Drain Pump	□ PAC-SH75DM-E
Blue Diamond Sensor Extension Cable—15 Ft.	□ C13-103
Mini Condensate Pump—230V application	□ SI30-230
MegaBlue Advanced Blue Diamond Condensate Pump w/ Reservoir & Sensor	□ X87-835 - 110 to 250V
MaxiBlue Advanced Blue Diamond Mini Condensate Pump w/ Reservoir & Sensor (208/230V) up to 48,000 Btu/h [recommended]	□ X87-721 - 208/230V
MicroBlue Blue Diamond Mini Condensate Pump (110/208/230V) up to 18,000 Btu/h	□ X85-003
Fascia Kit for MicroBlue Pump – mounts the MicroBlue and sensor directly beneath the indoor unit	□ T18-016
Drain Pan Level Sensor (Control for indoor unit shut off to prevent drain pan overflow)	□ DPLS2
3 Pole Disconnect Switch (30A/600VUL) [fits 2"X4" utility] - Black	□ TAZ-MS303
3 Pole Disconnect Switch (30A/600VUL) [fits 2"X4" utility] - White	□ TAZ-MS303W

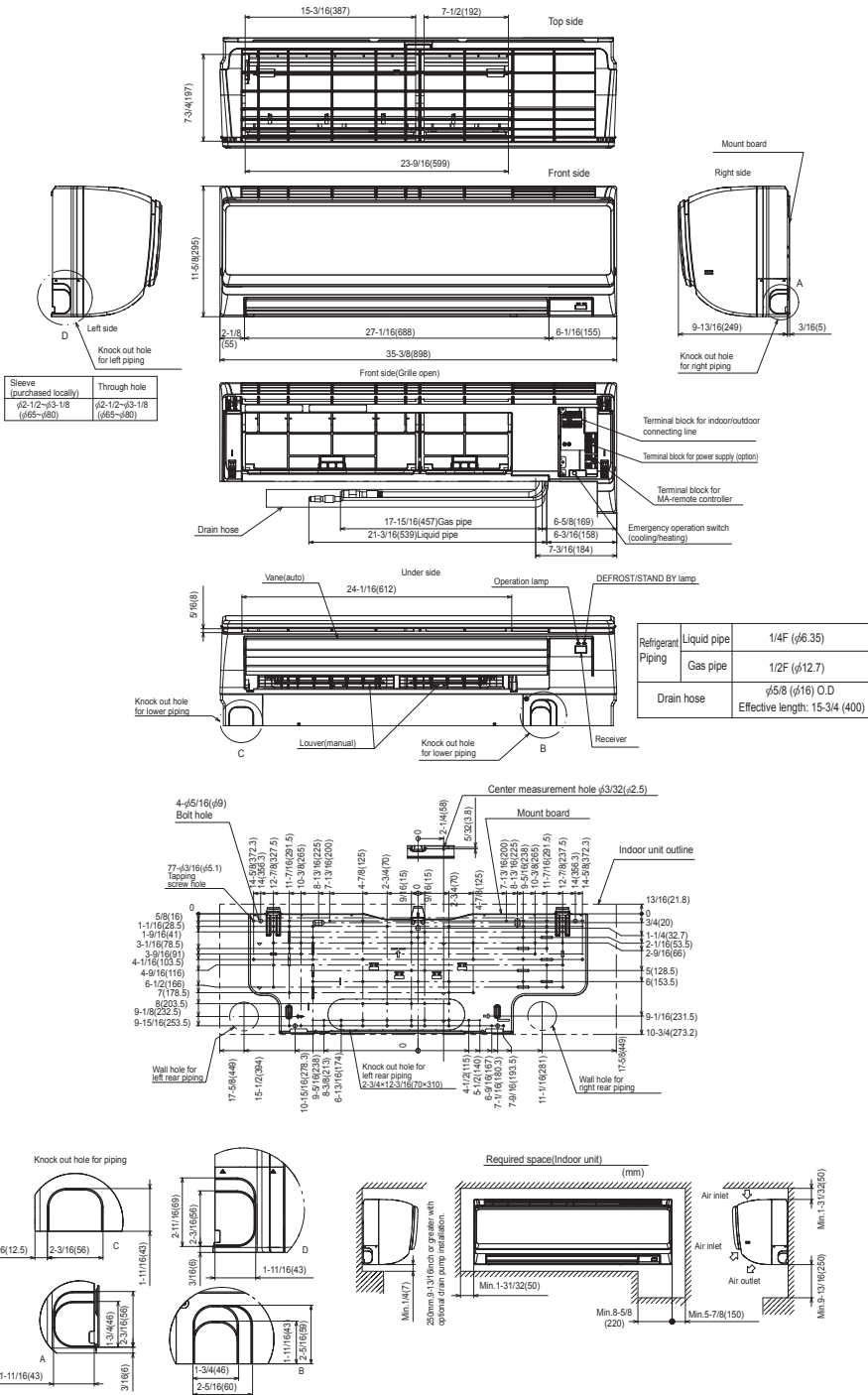
ACCESSORIES: PUY-A18NKA7(-BS)

Air Outlet Guide	<input type="checkbox"/> PAC-SJ07SG-E
Front Wind Baffle	<input type="checkbox"/> WB-PA4
Side Advanced Wind Baffle	<input type="checkbox"/> WB-SD4
Drain Socket	<input type="checkbox"/> PAC-SJ08DS-E
Centralized Drain Pan	<input type="checkbox"/> PAC-SG63DP-E
M-NET Converter	<input type="checkbox"/> PAC-SJ19MA-E
M-NET Converter	<input type="checkbox"/> PAC-SJ96MA-E
Control/Service Tool	<input type="checkbox"/> PAC-SK52ST
Hail Guard	<input type="checkbox"/> HG-A5
Condensing Unit Mounting Pad 16" x 36" x 3"	<input type="checkbox"/> ULTRILITE1
Outdoor Unit Stand—12" High	<input type="checkbox"/> QSMS1201M
Outdoor Unit Stand—18" High	<input type="checkbox"/> QSMS1801M
Outdoor Unit Stand—24" High	<input type="checkbox"/> QSMS2401M
Heavy Duty Wall Mounting Bracket for Outdoor Units—Coated Steel	<input type="checkbox"/> QSWB2000M-1
Heavy Duty Wall Mounting Bracket for Outdoor Units—316 Series Stainless Steel	<input type="checkbox"/> QSWBSS
1/4" x 1/2" x 15' / 1/2" Lineset (Twin-Tube Insulation)	<input type="checkbox"/> MLS141212T-15
1/4" x 1/2" x 30' / 1/2" Lineset (Twin-Tube Insulation)	<input type="checkbox"/> MLS141212T-30
1/4" x 1/2" x 50' / 1/2" Lineset (Twin-Tube Insulation)	<input type="checkbox"/> MLS141212T-50
1/4" x 1/2" x 65' / 1/2" Lineset (Twin-Tube Insulation)	<input type="checkbox"/> MLS141212T-65
1/4" x 1/2" x 100' / 1/2" Lineset (Twin-Tube Insulation)	<input type="checkbox"/> MLS141212T-100

DIMENSIONS: PKA-A18HA7 & PUY-A18NKA7 (-BS)

PKA-A18HA7

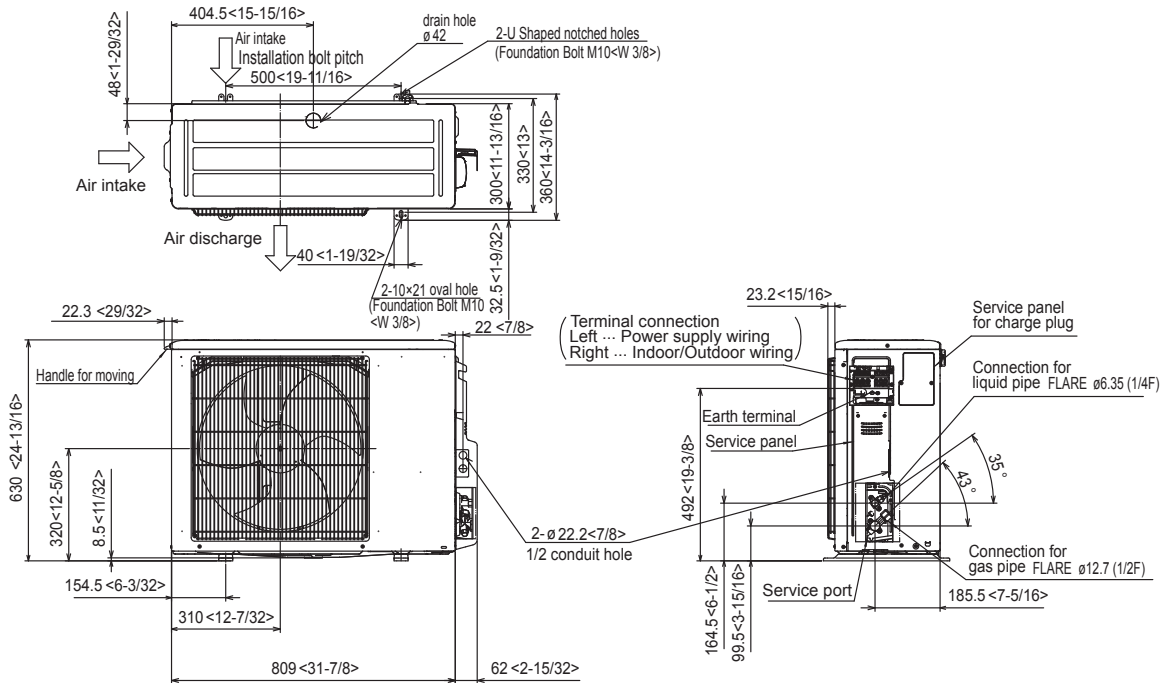
Unit: inch (mm)



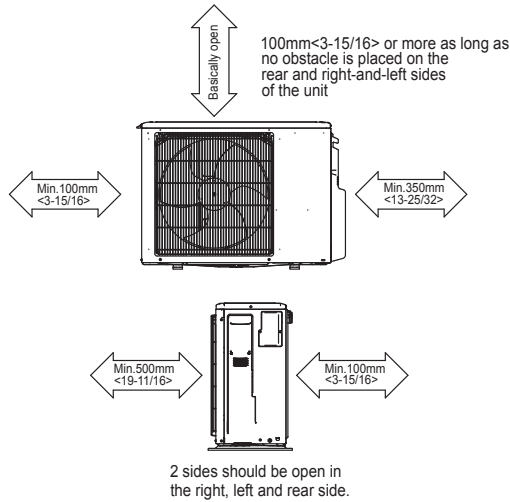
DIMENSIONS: PKA-A18HA7 & PUY-A18NKA7 (-BS)

PUY-A18NKA7(-BS)

Unit: mm<in>



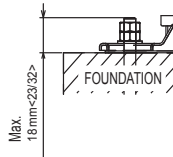
Free space around the outdoor unit (basic example)



FOUNDATION BOLTS

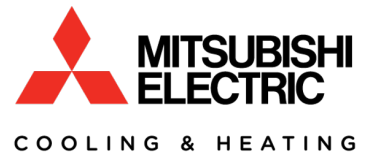
Please secure the unit firmly with 4 foundation (M10<W3/8>) bolts. (Bolts, washers and nut must be purchased locally).

<Foundation bolt height>



PIPING-WIRING DIRECTION

Piping and wiring connection can be made from the rear direction only.



1340 Satellite Boulevard, Suwanee, GA 30024
 Toll Free: 800-433-4822 www.mehvac.com

