

Hurricane Flip

Technical Data

Pressure	4000psi (27.5Mpa)
Temperature	250°F
RPM	max. 2000 rpm
Housing	ø12"
Water connection	3/8"NPTF
Nozzle connection	2x 1/8"NPTF
Throughput medium	water (pH 3-12)



Hurricane Flip

Indication: (original language German)

- Read all instructions, check overall conditions and safety requirements before initial operation of the product.
- Our products should only be installed by experienced users of high pressure equipment.
- Safety regulations and guidelines (Accident Prevention Rules) from the manufacturer of your high pressure cleaner are applicable.
- Nozzle installation according to Nozzle manufacturer.
- Do not move the product over objects or uneven surfaces.
- Do not run the product if the rotor-arm is out of balance or bent, damage to the swivel will result.
- No modifications to the product are permitted.

 **Caution:**

- Always use protection gear when using products connected to high pressure.
- Before any maintenance or nozzle-change, turn off the high pressure water supply, e.g.: turn off and secure the power switch.
- After turning off the system, allow all self-propelled equipment to come to a complete stop before handling. Risk of injury due the rotor-arm.
- Do not lift up the product while operating

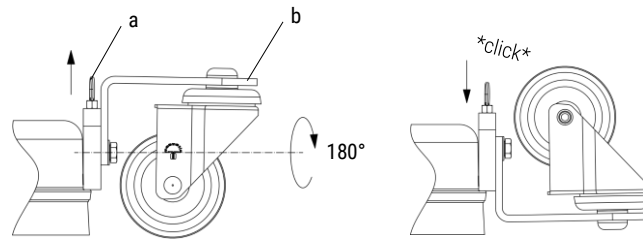
 **Warning:**

- Never direct any high pressure water-jet at humans, animals or electric installations.
- Do not touch the rotor-arm during operation. Risk of injury.



	Declaration of Conformity Pressure Equipment Directive 97/23/EC Annex III.
Manufacturer:	Mosmatic AG Oberhellenschwilerstrasse 6 CH - 9126 Necker Switzerland Phone: +41 (0) 71 375 64 64 Internet: www.mosmatic.com
We hereby declare that the product listed below based on the conception, design and construction in the design as we launch the product, conclusively at the time of the declaration applicable alterations, conforms to the safety requirements of the Pressure Equipment Directive.	
Product Description:	High Pressure Accessories
Type:	FL / DR / SPI / TYR / WB / HUR
Product Characteristics:	Pressure Equipment Directive 97/23/EC Article 3 / Number 1.3 / Letter a) / Second dash Article 3 / Number 1.3 / Letter b) / Second dash Fluid Group 2
Applied Conformity Assessment Procedure:	Directive 97/23/EC Module H (Full Quality Assurance)
EC Standard Guidelines:	Machinery Directive 2006/42/EG Pressure Equipment Directive 97/23/EC
Applied Harmonized Standards:	ISO 12100:2011 - Safety of Machinery ISO 9001:2008 - Quality Management System
Authorised Person:	Patrick Rieben
<i>By any modification from the product, alterations on the product or the fitting of non-approved spares is the validity of the declaration of conformity with immediately effective terminated.</i>	
Necker, 2016	Signature: 

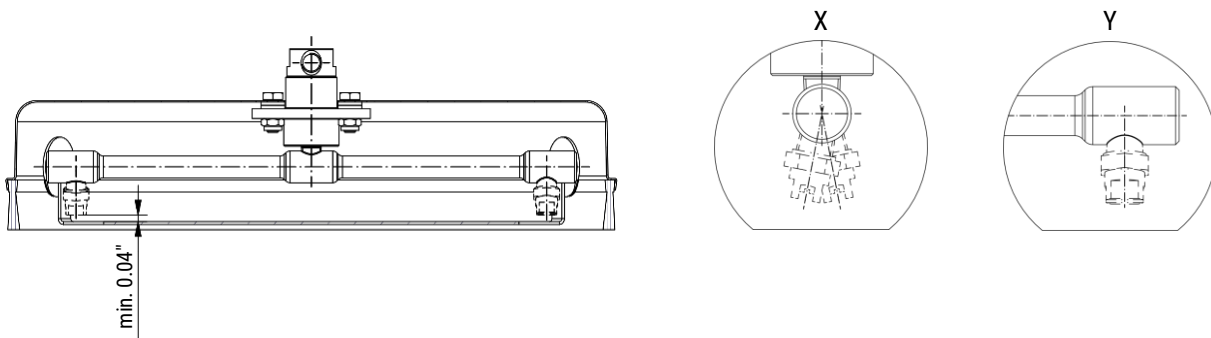
Hurricane Flip



Caster flip (original language German)

1. Pull up the ring (a) of the locking bolt, till the caster (b) is loose.
2. Turn the caster (b) by 180° upside down.
3. Release the ring (a) so the locking bolt clicks back in.

Do this for all 3 casters.



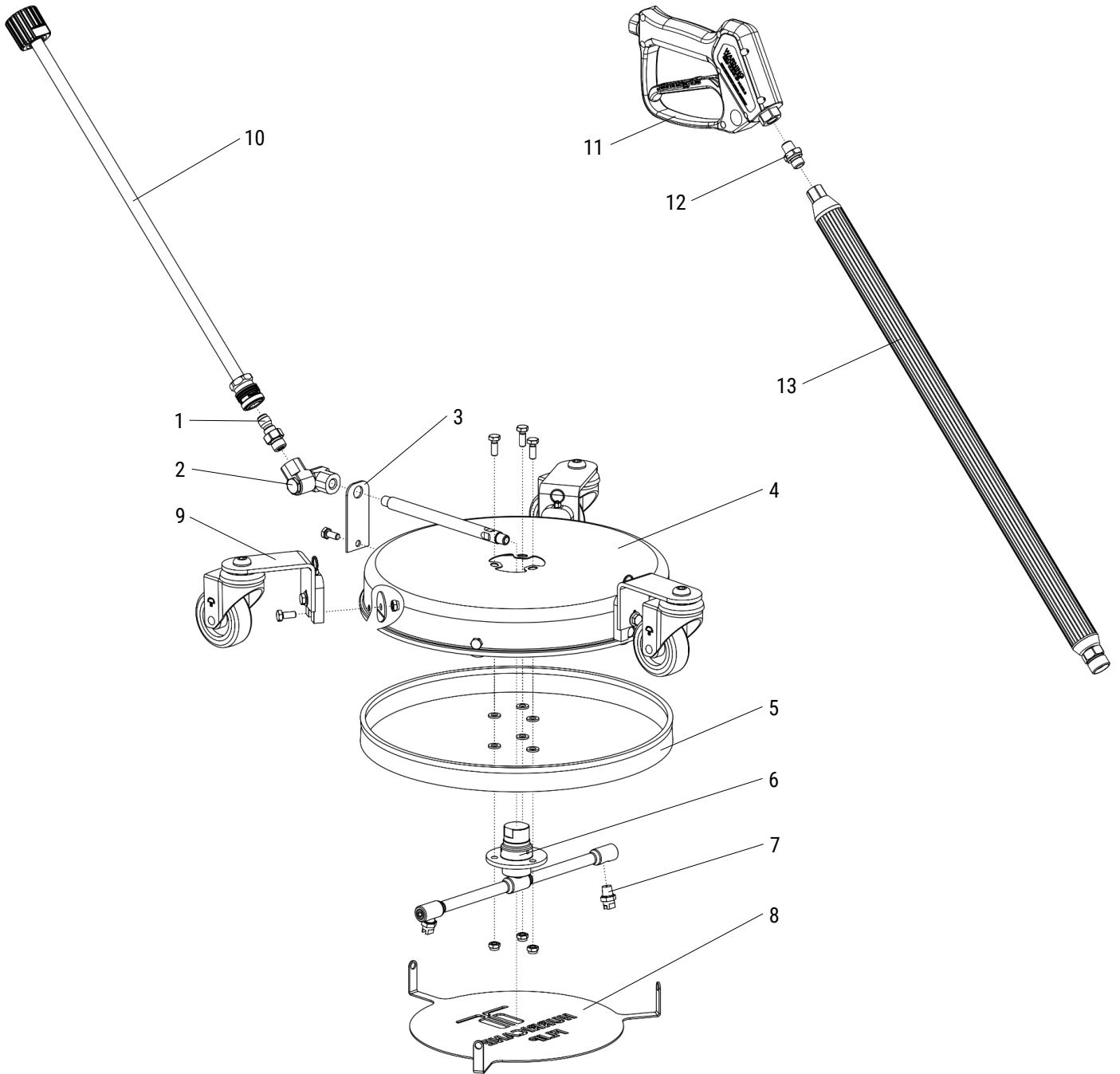
HP-nozzles installation (original language German)

Nozzle connection: 1/8"NPTF

- Tighten the nozzles with 6-8 Nm torque.
- Position the nozzles as shown in the drawing (see details X + Y).
- No force transmission/strain to the swivel!
- Nozzles must have at minimum 0.04" distance to the protective plate!

Attention: The protective plate must not touch the ground!
Optimal distance 0.1".

Hurricane Flip



Pos.	Art. Nr.	Description
1	70.021	Quick connect plug (ø0.47")
2	42.906	Toggle joint
3	905.359	Guide plate
4	905.350	Cover
5	78.9005	Brush ring replacement-kit
6	58.913	Swivel unit (DYfk-90°-TKE)
7	1503	HP-nozzle (1503)
8	905.378	Protective plate (ø12")
9	80.9030	Caster flip (ø2.4") replacement-kit
10	78.999	Extension
11	29.081	HP-gun (5000psi)
12	51.103	Adapter (G1/4"M / 1/4"NPTM)
13	78.907	Lance