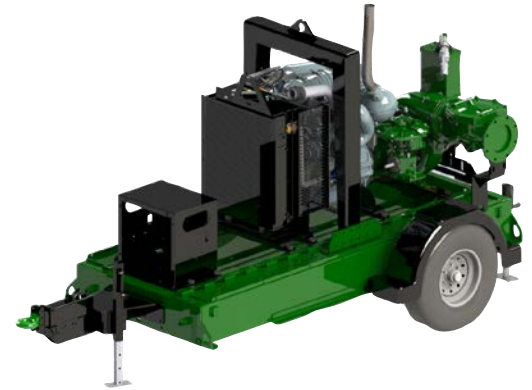


Pioneer Prime Diesel-Driven Trailer Package

PP88S12L71-TCD3.6

88S12-PPI-01-D



PUMP SPECIFICATIONS

Size	8" x 8" (200 x 200 mm)
Impeller Diameter	12.25" (311 mm)
Max Flow	5,040 gpm (1,150 m ³ /h)
Max Head	180 feet (55 meters)
Solids Size	3" (76 mm)
Max. Operating Temp.	200 °F (93 °C)
Max. Operating Press.	260 psi (1,800 kPa)

ENGINE SPECIFICATIONS

FT4 Engine Type	Deutz TCD3.6L4
Displacement	220 cu. in. (3.6 l)
Fuel Consumption	5.5 gph (21 l/h) @ 1,800 rpm
Continuous HP	111 HP (83 kW) @ 1,800 rpm
Peak Intermittent HP Rating	134 HP (100 kW)
FT4 Specifics (Def or No Def, DOC, SCR, etc.)	DOC
Instrument Panel	Oil pressure gauge, voltmeter, hourmeter, tachometer

PIONEER PRIME PRIMING SYSTEM

Priming System	Mechanically driven diaphragm-style vacuum pump
Air Removal Cap.	50 cfm (.02 cms)
Priming Chamber	Positive sealing air separation w/stainless steel components
Discharge Check Valve	Swing style; ductile iron w/nitrile disc
Run Dry System	Oil-lubricated mech. seal allows pump to run completely dry without damage

FEATURES AND BENEFITS

- Indefinite run-dry capability
- Extreme flow technology
- Environmentally safe priming system: Pioneer Prime
- Auto-start controls

PARTS KITS

Mechanical Seal Kit: 372000101	Upper Vacuum Kit: 374000102
Bearing Frame Kit: 373000100	Lower Vacuum Kit: 374000103
Priming Chamber Assembly: 1060015894	

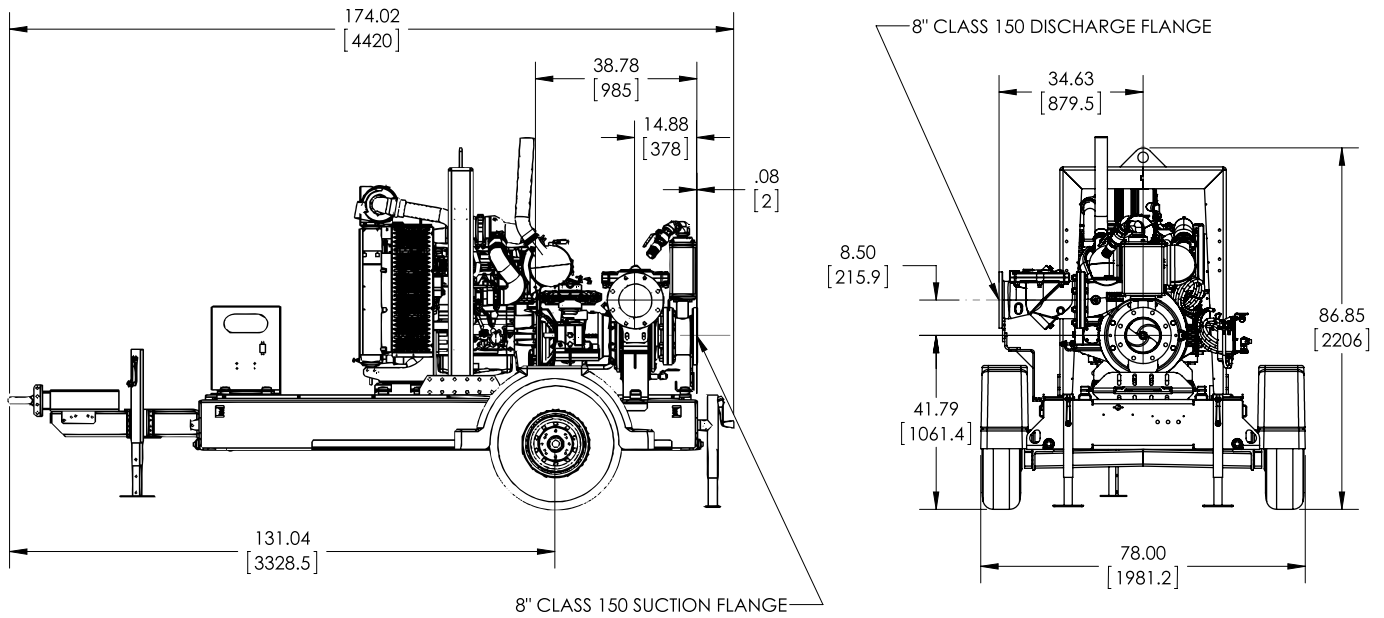
PACKAGE SPECIFICATIONS

Fuel Capacity	135 gal (511 L)
Control Panel	LOFA CP900
Operating Speed (Min. / Max.)	1,000 / 2,000 rpm
Weight (Dry / Wet)	5,040 lbs / 6,000 lbs
Instrument Compatibility	High/low level floats
Trailer Brakes	Electric
Optional Adders	3-watt solar charger, 10-watt solar charger, corner jacks, float switch, hose racks, pressure gauges, sound-attenuated enclosure
Telemetry Ready	Options available

MATERIALS OF CONSTRUCTION

Impeller	CA6NM Stainless Steel
Shaft	17-4 PH Stainless Steel
Wear Ring	ASTM A48 Class 40 Gray Iron
Suction Cover	Ductile Iron ASTM A536 65-45-12
Volute	Ductile Iron ASTM A536 65-45-12
Brac-Plate/Bracket	Ductile Iron ASTM A536 65-45-12
Mechanical Seal	Silicon Carbide rotating and Tungsten Carbide stationary

MECHANICAL DIMENSIONS



PERFORMANCE CURVE

