

PP44S8L71-KDW1003

Pioneer Prime Diesel-Driven Centrifugal Pump

The Pioneer Pump® GL Series Pump Packages move large volumes of water in nearly any rugged industrial, municipal, agricultural, mining, dewatering, or rental application. This robust, diesel-driven pump package features the PP44S8 solids-handling pump which passes up to 3-inch solids and reaches a maximum flow of 1200 gpm and a max head of 65 feet.



PUMP SPECIFICATIONS

Size	4" x 4" (100 x 100 mm)
Max Flow	1200 gpm (273 m ³ /h)
Max Head	65 feet (19 meters)
Solids Size	3" (76 mm)
Max Speed	2500 rpm
Best Efficiency	53%

ENGINE SPECIFICATIONS

Engine Type	Kohler KDW1003
Displacement	1.0 l
Fuel Consumption	1.09 gph @ 1800 rpm (full load)
Continuous HP	15.5 hp @ 1800 rpm
Nameplate HP	22.9 hp intermittent @ 3600 rpm
Safety Features	Low oil press., high temp., v-belt failure

PRIME VAC-ASSIST PRIMING SYSTEM

Priming System	Mechanically driven vacuum pump
Air Removal Cap.	50 cfm
Priming Chamber	Air separation PosiValve™ w/SS components
Discharge Check Valve	Ductile iron body; swing flex nitrile rubber flapper
Run Dry System	Oil reservoir for mechanical seal; indefinite run-dry capability

FEATURES AND BENEFITS

- Compact size ideal for construction sites and other general dewatering needs
- Fully modular base and mounting components for convenient service and maintenance
- On-road towable trailer for easy mobility and transport between jobs
- Environmentally safe vac-assist priming system with PosiValve™ evacuates air
- Indefinite run-dry mechanical seal for a more hands free and self-sustaining operation

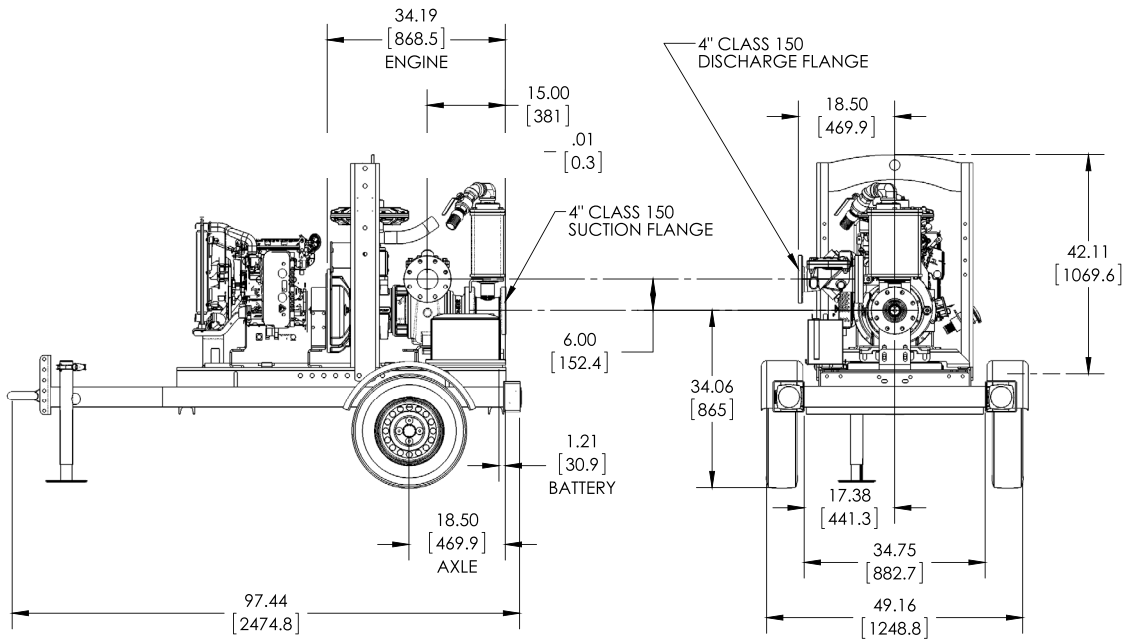
SPECIFICATIONS

Control Panel	Kohler standard instrument panel
Fuel Capacity	25 U.S. gallons
Runtime (hours)	23 hours (full load @ 1800 rpm)
Trailer	3.5k axle, safety chains, front jack, lights, lunette eye
Adder Options	Auto-start fitted panel

MATERIALS OF CONSTRUCTION

Material	Standard Construction
Impeller	CA6NM SS
Shaft	17-4 PH
Wear Ring(s)	Cast Iron
Suction Cover	Ductile Iron
Volute	Ductile Iron
Brac-Plate/Bracket	Ductile Iron
Mechanical Seal	Tungsten vs. Silicon Carbide
O-rings	FKM

MECHANICAL DIMENSIONS



PERFORMANCE CURVE

Model: PP44S8

Impeller Dia: 7" x 13°

Solids Size: 3"

Curve #19664HQ

