

Pioneer Prime Sound Attenuated Diesel-Driven Centrifugal Pump Trailer Package

SAPP44S10L71-D2.9L4

44S10-PPI-02-D



PUMP SPECIFICATIONS

Size	4" x 4" (100 x 100 mm)
Impeller Diameter	10" (254 mm)
Max Flow	1,520 gpm (345 m ³ /h)
Max Head	155 feet (47 meters)
Solids Size	3" (76 mm)
Max. Operating Temp.	200 °F (93 °C)
Max. Operating Press.	260 psi (1,800 kPa)

ENGINE SPECIFICATIONS

FT4 Engine Type	Deutz D2.9L, 4-Cylinder Diesel
Displacement	177 cu. in. (2.9 l)
Fuel Consumption	2.07 gph (7.83 l/h) @ 1,800 rpm
Continuous HP	36 HP (27 kW) @ 1,800 rpm
Peak Intermittent HP Rating	49 HP (36.5 kW)
FT4 Specifics (Def or No Def, DOC, SCR, etc.)	DOC
Instrument Panel	Oil pressure gauge, voltmeter, hourmeter, tachometer

PIONEER PRIME PRIMING SYSTEM

Priming System	Mechanically driven diaphragm-style vacuum pump
Air Removal Cap.	50 cfm (.02 cms)
Priming Chamber	Positive sealing air separation w/stainless steel components
Discharge Check Valve	Swing style; ductile iron w/nitrile disc
Run Dry System	Oil-lubricated mech. seal allows pump to run completely dry without damage

FEATURES AND BENEFITS

- Indefinite run-dry capability
- Extreme flow technology
- Environmentally safe priming system: Pioneer Prime
- Auto-start controls

PARTS KITS

Mechanical Seal Kit: 372000109	Upper Vacuum Kit: 374000102
Bearing Frame Kit: 37300107	Lower Vacuum Kit: 374000103
Priming Chamber Assembly: 1060015894	

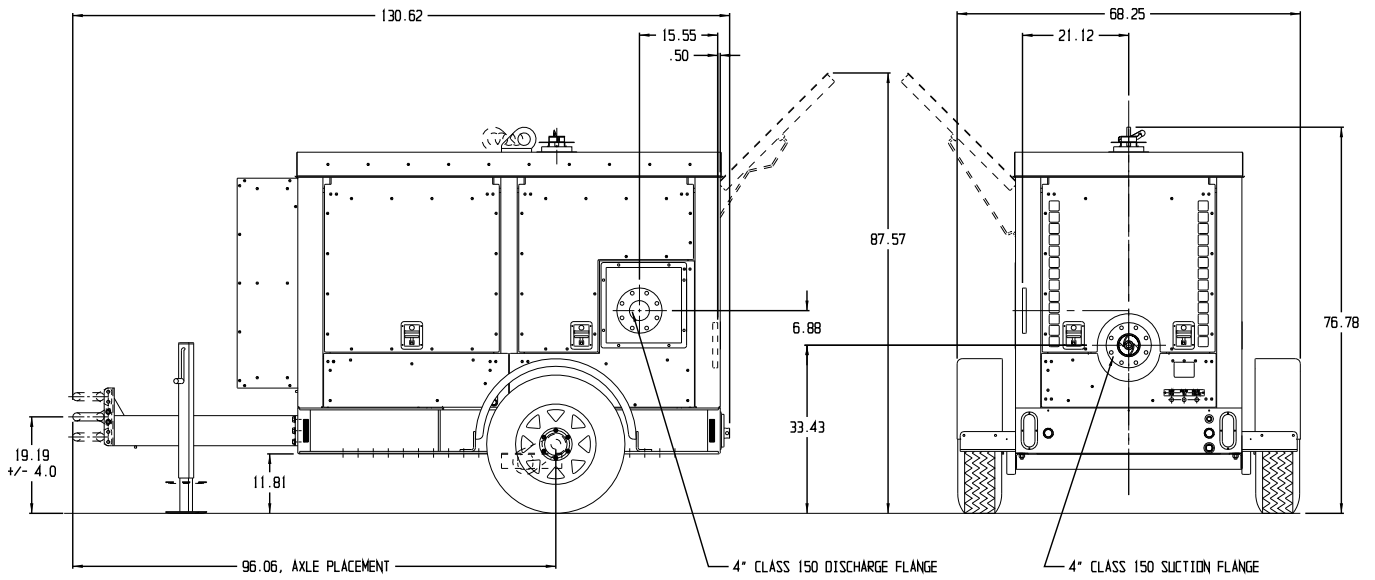
PACKAGE SPECIFICATIONS

Fuel Capacity	75 gal (284 L)
Control Panel	LOFA CP900
Operating Speed (Min. / Max.)	1,000 / 2,200 rpm
Weight (Dry / Wet)	3670 lbs / 4200 lbs
Instrument Compatibility	High/low level floats
Trailer Brakes	Electric
Enclosure dB(A) Rating	69 dB(A) @ 23 feet (7 meters)
Optional Adders	3-watt solar charger, 10-watt solar charger, corner jacks, float switch, hose racks, pressure gauges
Telemetry Ready	Options available

MATERIALS OF CONSTRUCTION

Impeller	CA6NM Stainless Steel
Shaft	17-4 PH Stainless Steel
Wear Ring	ASTM A48 Class 40 Gray Iron
Suction Cover	Ductile Iron ASTM A536 65-45-12
Volute	Ductile Iron ASTM A536 65-45-12
Brac-Plate/Bracket	Ductile Iron ASTM A536 65-45-12
Mechanical Seal	Silicon Carbide rotating and Tungsten Carbide stationary

MECHANICAL DIMENSIONS



PERFORMANCE CURVE

