

13 SEER Air Conditioning AccuCharge® Split Systems



Corner-Post Jacket Design has independent louvered panels that are easily removed for service, while protecting the coils from yard debris and extreme weather.

Corner-Post Packaging creates a gap around the entire unit, minimizing pressure on the unit structure and contact with the carton, so the unit arrives safely to your customer.

Micro-Channel Coil minimizes cost and refrigerant charge, mounted on a composite drain pan that has molded steps and more drainage holes to prevent damage, in only 2 convenient footprints.

AccuCharge Quick-Connect Systems consist of pre-charged equipment and line sets with unique connectors; to significantly reduce the time and skill-set needed to install a split system.

Dependable Warranty handled directly by Style Crest's dedicated HVAC Team, offering the most competitive warranty coverage and service in the Manufactured Housing Industry.

13 SEER can only be installed in the Northern DOE Region



Tube-in-Fin Coil



Cutaway of FitRight® Fitting



Coil Accessory Kit



Line Set with FitRight Fittings

13 SEER Air Conditioning AccuCharge® Split Systems

Nominal Tons ¹	Condenser Item #	AHRI Model	Item Weight	Shipping Weight	Sound	MCA	MOP
2	RSCQ2431	RSAIQD4MIRN24KA	132 lbs	145 lbs	72 dB	11.1	15 A
2.5	RSCQ3031	RSAIQD4MIRN30KA	135 lbs	149 lbs	72 dB	13.1	20 A
3	RSCQ3631	RSAIQD4MIRN36KA	137 lbs	151 lbs	73 dB	16.4	25 A
3.5	RSCQ423	RSAIQD4MISN42K	194 lbs	209 lbs	78 dB	23.0	40 A
4	RSCQ483	RSAIQD4MISN48K	190 lbs	205 lbs	78 dB	28.6	50 A

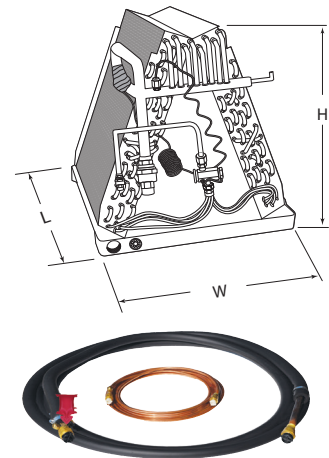
1) Refer to AHRI listings for actual capacities and performance data.

Condenser Item #	Item Length	Item Width	Item Height	Minimum Pad Size	Suction Line Ø	Liquid Line Ø	Shipping Length	Shipping Width	Shipping Height
RSCQ243	23 ¾"	23 ¾"	24 ½"	24" x 24"	3/4"	3/8"	27 ½"	27 ½"	27"
RSCQ303	23 ¾"	23 ¾"	28 ½"	24" x 24"	3/4"	3/8"	27 ½"	27 ½"	31"
RSCQ363	23 ¾"	23 ¾"	28 ½"	24" x 24"	3/4" ²	3/8"	27 ½"	27 ½"	31"
RSCQ423	31 ¾"	31 ¾"	29 ¼"	32" x 32"	7/8"	3/8"	35 ½"	35 ½"	31"
RSCQ483	31 ¾"	31 ¾"	29 ¼"	32" x 32"	7/8"	3/8"	35 ½"	35 ½"	31"

2) Line set vapor line increases to 7/8" over 24 ft equivalent length.

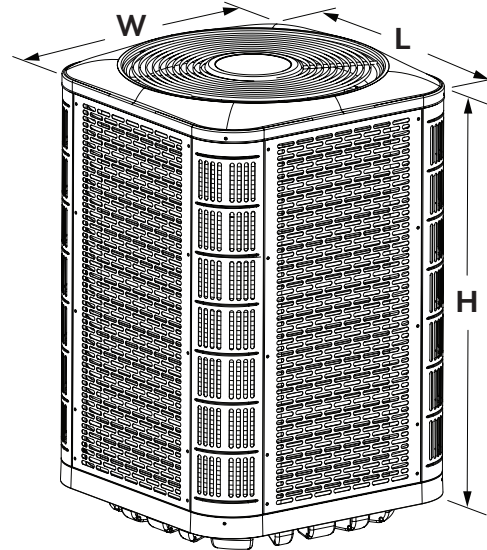
Tube-in-Fin Indoor (Evaporator) A-Coil Matches with TXV

Nominal Tons ¹	Condenser Item #	Coil Item #	AHRI Cert. Number	Coil Height	Minimum Coil Box H
2	RSCQ243	1854M4A	206185397	18 ½"	20"
2.5	RSCQ303	1854M4A	206185396	18 ½"	20"
3	RSCQ363	1854M4A	206144642	18 ½"	20"
3.5	RSCQ423	1854M4A	201841646	18 ½"	20"
4	RSCQ483	1847M4A	201841642	22 ½"	26"
4	RSCQ483	187848M4A	201974563	19 ½"	20"



AccuCharge R-410A Line Sets

Line Set Item #	Line Length	Liquid Line ø	Suction Line ø	Suction Insul.
4463Q1531	15 ft	3/8"	3/4"	3/8"
4463Q2031	20 ft	3/8"	3/4"	3/8"
4463Q2531	25 ft	3/8"	3/4"	3/8"
4463Q3031	30 ft	3/8"	3/4"	3/8"
4463Q4031	40 ft	3/8"	3/4"	3/8"
4463Q5031	50 ft	3/8"	3/4"	3/8"
4473Q1531	15 ft	3/8"	7/8"	3/8"
4473Q2031	20 ft	3/8"	7/8"	3/8"
4473Q2531	25 ft	3/8"	7/8"	3/8"
4473Q3031	30 ft	3/8"	7/8"	3/8"
4473Q4031	40 ft	3/8"	7/8"	3/8"
4473Q5031	50 ft	3/8"	7/8"	3/8"
4473Q7031	70 ft	3/8"	7/8"	3/8"



Note: A furnace blower upgrade and/or time delay relay-TDR may be required to achieve the desired AHRI-rated performance.



www.stylecrestinc.com | 800.945.4440