



*Indoor Comfort Products Brought To You
By The Manufactured Home Experts!*

14 SEER Air Conditioning AccuCharge® Split Systems



New Corner-Post Design with louvered panels are easily removed for service, while protecting the coils from yard debris and extreme weather.

Improved Composite Drain Pan design has more drainage holes for condensation evacuation and molded steps to prevent coil shifting, all in 1 of 2 standardized footprints.

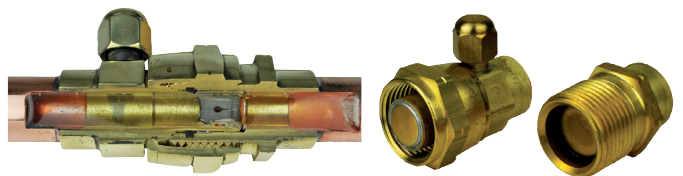
Corner-Post Packaging creates a gap around the entire unit, minimizing pressure on the unit structure and contact with the carton, so your unit arrives safely to the customer.

AccuCharge® Systems consist of pre-charged quick-connect equipment and line sets; significantly reducing the time and skill-set necessary to install a system.

Dependable Warranty handled directly by Style Crest®; including 1st-Year Labor coverage and 5-Years of Parts coverage.



Tube-in-Fin Coil



Cutaway of FitRight® Fitting



Line Set with FitRight® Fittings

14 SEER Air Conditioning AccuCharge® Split Systems

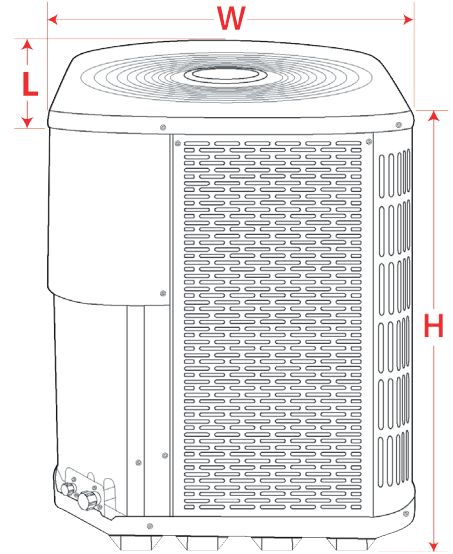


Nominal Tons ¹	Old SKU	Old AHRI Model Number	New SKU	New AHRI Model Number	Item Wt. (lbs)	Ship Wt. (lbs)	Sound (dB)
2	RSC1424	RS4QE-024KB	RSCQ244	RSA1QE4M1RN24K	133	138	74
2.5	RSC1430	RS4QE-030KB	RSCQ304	RSA1QE4M1RN30K	159	169	75
3	RSC1436	RS4QE-036KA	RSCQ364	RSA1QE4M1SN36K	176	180	79
3.5	RSC1442	RS6QF-042K	RSCQ424	RSA1QE4M1SN42K	195	220	79
4	RSC1448	RS6QF-048K	RSCQ484	RSA1QE4M1SN48K	206	220	78

1) Refer to AHRI listings for actual applications and capacities

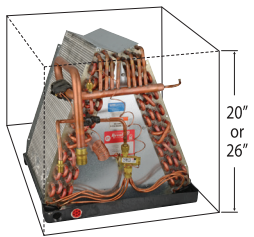
New SKU	Ship L (in)	Ship W (in)	Ship H (in)	Vapor Conn.	Liquid Conn.	Item L (in)	Item W (in)	Item H (in)	Min. Pad Size (in)
RSCQ244	27.5	27.5	35	3/4"	3/8"	23.75	23.75	32.5	24 x 24
RSCQ304	35.5	35.5	31	3/4"	3/8"	31.75	31.75	28.5	32 x 32
RSCQ364	35.5	35.5	39	3/4" ²	3/8"	31.75	31.75	37.25	32 x 32
RSCQ424	35.5	35.5	43	7/8"	3/8"	31.75	31.75	41.25	32 x 32
RSCQ484	35.5	35.5	43	7/8"	3/8"	31.75	31.75	41.25	32 x 32

2) Actual Line Set diameter can change with run length, requiring an adapter



Tube-in-Fin Indoor (Evaporator) A-Coil Matches - TXV

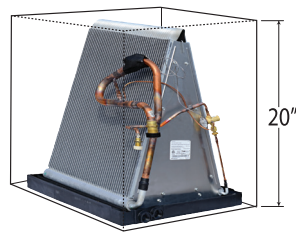
Nominal Tons ¹	Condenser SKU	Coil SKU	AHRI Cert #	Coil H (in)	Min. Cab H (in)
2	RSCQ244	1836M4A	201841639	18	20
2.5	RSCQ304	1836M4A	201841638	18	20
3	RSCQ364	1854M4A	201841634	18.5	20
3.5	RSCQ424	1854M4A	201841632	18.5	20
4	RSCQ484	1856M4A	201841630	24.5	26
4	RSCQ484	187848M4A	201974567	19.5	20



Tube-in-Fin Coil



Tube-in-Fin Coil Kit



Micro-Channel Coil



Micro-Channel Coil Kit

AccuCharge® Line Sets

Line Set SKU	Line L (ft)	Liquid Line Ø (in)	Suction Line Ø (in)	Suction Insul. (in)
4463Q1531	15	3/8	3/4	3/8
4463Q2031	20	3/8	3/4	3/8
4463Q2531	25	3/8	3/4	3/8
4463Q3031	30	3/8	3/4	3/8
4463Q4031	40	3/8	3/4	3/8
4463Q5031	50	3/8	3/4	3/8
4473Q1531	15	3/8	7/8	3/8
4473Q2031	20	3/8	7/8	3/8
4473Q2531	25	3/8	7/8	3/8
4473Q3031	30	3/8	7/8	3/8
4473Q4031	40	3/8	7/8	3/8
4473Q5031	50	3/8	7/8	3/8
4473Q7031	70	3/8	7/8	3/8

Micro-Channel Indoor (Evaporator) A-Coil Matches - TXV

Nominal Tons ¹	Condenser SKU	Coil SKU	AHRI Cert #	Coil H (in)	Min. Cab H (in)
2	RSCQ244	C8QAMX24U-B	10614940	18	20
2.5	RSCQ304	C8QAMX30U-B	10614944	18	20
3	RSCQ364	C8QAMX36U-B	10614946	18	20



Line Set with FitRight® Fittings

Note: A furnace blower upgrade and/or TDR may also be required to achieve the desired output performance.