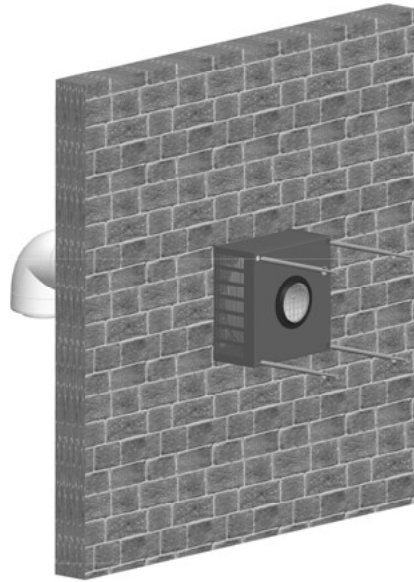


# INSTALLATION INSTRUCTIONS ENGLISH



## ROLUX® VENT SYSTEM Bug Guard Universal

These installation instructions should be kept with the appliance for maintenance

Ubbink B.V.  
P.O. Box 26  
6980 AA Doesburg  
The Netherlands  
T +31 313 48 02 00  
F + 31 313 4739 42  
[info@ubbink.nl](mailto:info@ubbink.nl)  
[www.ubbink.nl](http://www.ubbink.nl)

art.code 0072286  
08/11 version 4.0



## Introduction

The Ubbink Rolux® concentric vent system is considered part of the direct vent tankless water heater.

The Ubbink Rolux® concentric vent system was tested and approved with the appliance by a third party testing agency. Check the manufacturer's installation instructions or certificate of compliance to confirm that the Ubbink Rolux® concentric vent system is approved for your direct vent tankless water heater.

The tankless water heater installation instructions take precedence over this document. Always refer to the appliance installation instructions before proceeding with the installation of this product.

For initial installation instructions for the Ubbink Rolux® concentric vent system, please read the installation instructions as supplied with the vent system.

## Installation Requirements

Installation and service of Ubbink Rolux® concentric vent system must be performed by a qualified installer, service agency or the gas supplier

## Kit Contents

1pc. Universal Bug Guard with adapter for horizontal and vertical use

4pc. 5 1/4" no. 6 screws with Plastic Wall Plugs

8pc. 1/2" Plugs

6pc.#8x1/2" Self Tapping Screws



## WARNING

Improper installation of vent system and components, or failure to follow all installation instructions, can result in property damage or serious injury.

# Installation Instructions

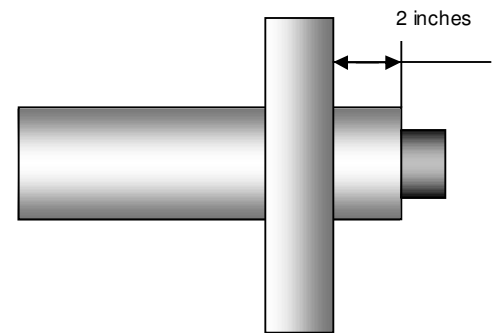
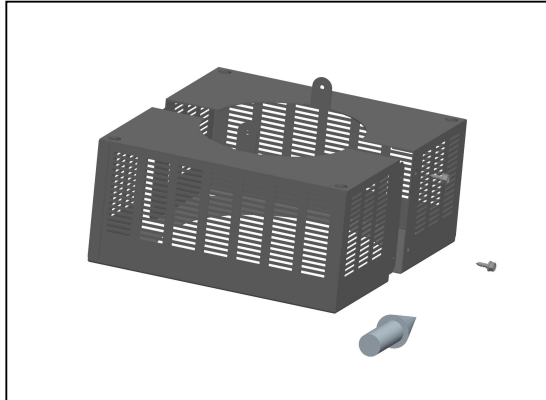
## Ubbink Rolux® concentric vent system

### Universal Bug Guard

#### Wall mounting (horizontal use)

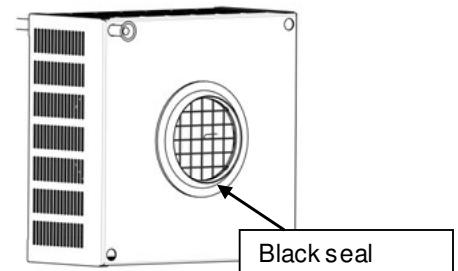
##### Step 1:

Adjust the length of the white outer pipe of the wall terminal so that it protrudes out of the wall 2 inches.



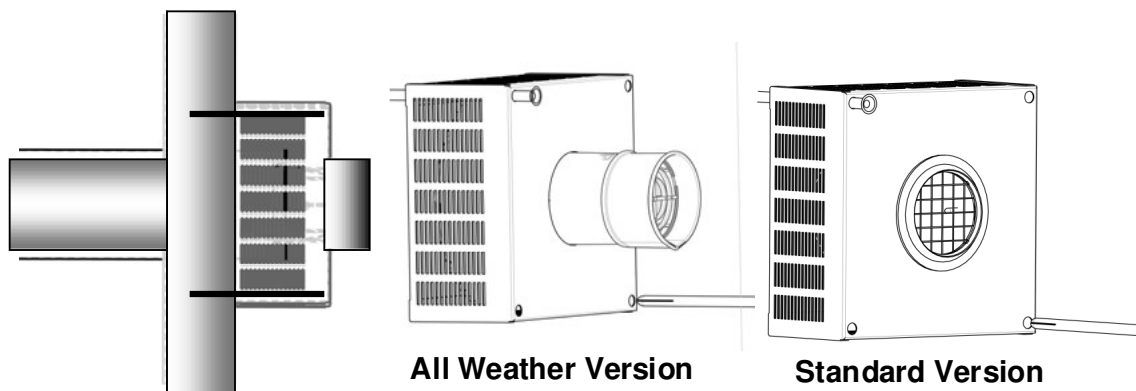
##### Step 2:

In case the all weather termination kit horizontal is installed (long nose), remove the black seal from the bug guard front plate. Discard the seal, this is not used.



##### Step 3:

Pre-assemble the 2 main components of the Bug Guard, by using 4 pc. # 8x1/2" Self Tapping Screws. Discard the remaining 2 screws, these are not used. Place the Bug Guard over the wall terminal with the tabs pointing towards the wall and mark the position of the mounting locations on the wall. Use the screw (removed from the plastic plug), or a pencil or marker at least 5 inches (12.7 cm) long.



##### Step 4:

Remove the Bug Guard and drill the 4 holes in the wall, using a no.6 drill bit. Use a wood bit for wood paneling, or a masonry bit for brick or mortar walls.

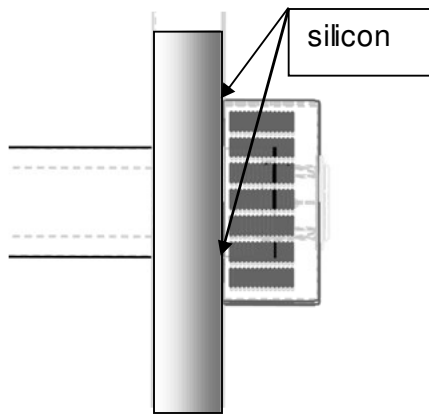
### Step 5:

Fit the Bug Guard over the terminal and fix to the wall with the supplied No. 6 Plastic wall plugs and 5-1/4" long screws.

The remaining space between Bug Guard and wall can be filled using silicon.

### Remark:

The 8 pc. 1/2" plugs are not used in this configuration



## Roof terminal mounting (vertical use)

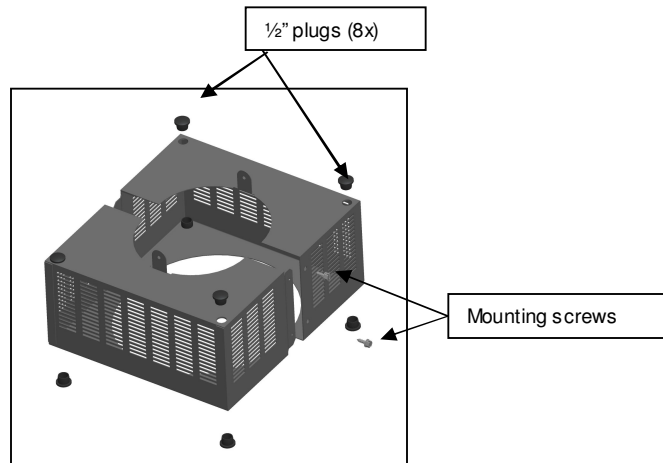
### General:

Installation of the universal Bug Guard on the roof terminal (standard and cold climate) can be performed on the installed terminal. When the terminal is removed from the roof this eases installation, but is not necessary.

### Step 1:

Place the supplied 1/2" plugs in open holes to close these.

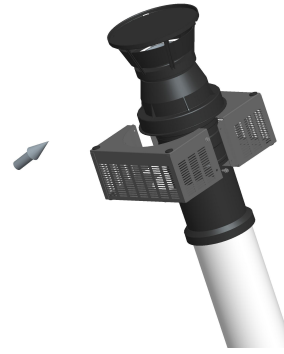
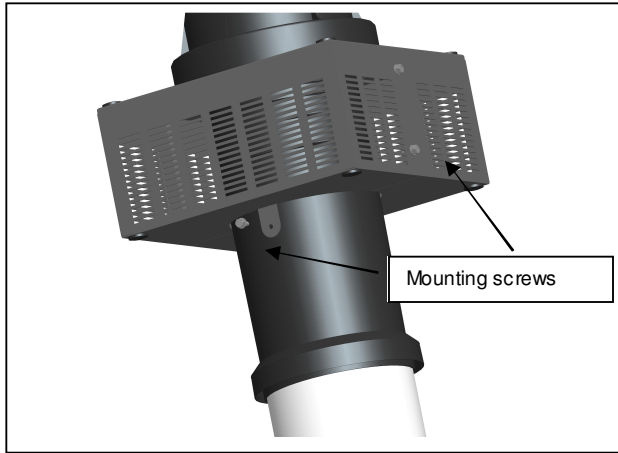
Discard the flat plate with the black seal assembled, the Plastic wall plugs and 5-1/4" long screws, these are not used.



### Step 2:

Position the 2 identical components around the roof terminal, under the air inlet, as shown in the picture. The 2 mounting tabs should point downwards. These are used for the securing onto the terminal body.

Fix the 2 main components of the Bug Guard, by using 4 pc. # 8x1/2" Self Tapping Screws.



**Step 3:**

Slide the Bug Guard up till it is in close fit with the air intake cap.  
Finish installation by mounting the remaining 2 pc. # 8x1/2" Self Tapping Screws.  
Remaining spaces around the terminal body can be filled with silicon.

