



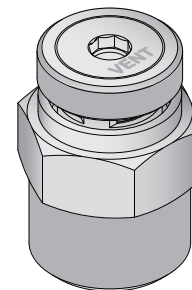
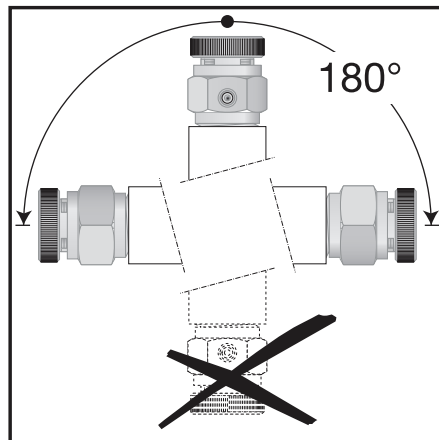
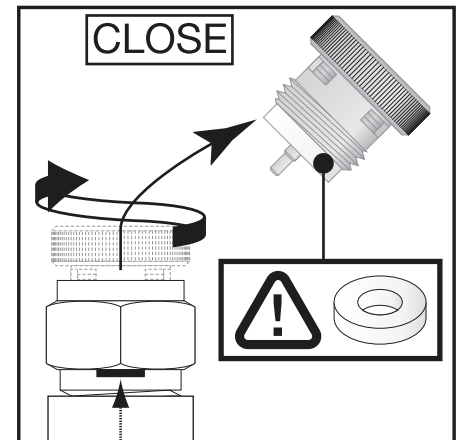
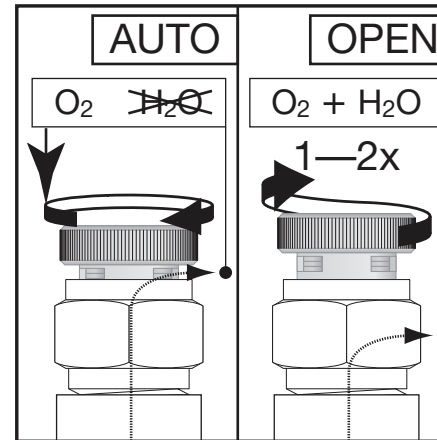
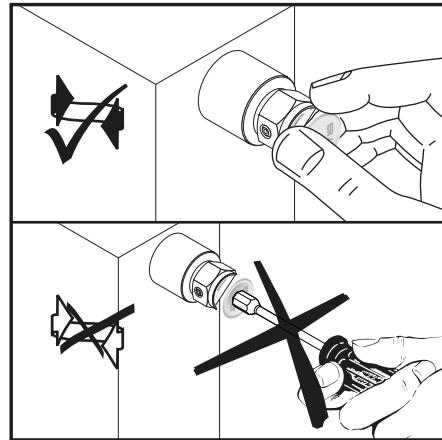
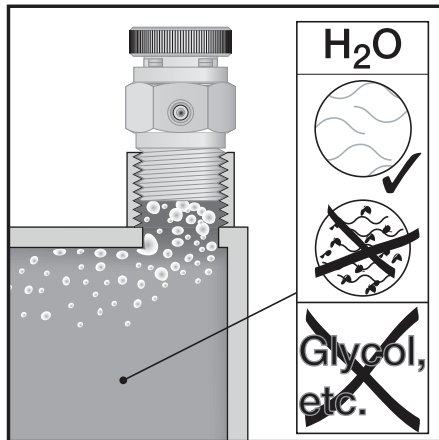
Instruction Sheet

102-364

417 Vent

SUPERSEDES: New

EFFECTIVE: March 1, 2009



417 Vent

Do it ONCE. Do it RIGHT.®

TACO, INC., 1160 Cranston Street, Cranston, RI 02920 Telephone: (401) 942-8000 FAX: (401) 942-2360.

TACO (Canada), Ltd., 8450 Lawson Road, Unit #3, Milton, Ontario L9T 0J8. Telephone: 905/564-9422. FAX: 905/564-9436.

Visit our web site at: <http://www.taco-hvac.com>

Printed in USA

Copyright 2009

TACO, Inc.