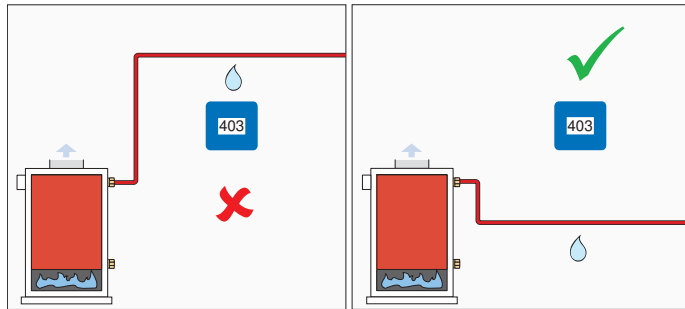
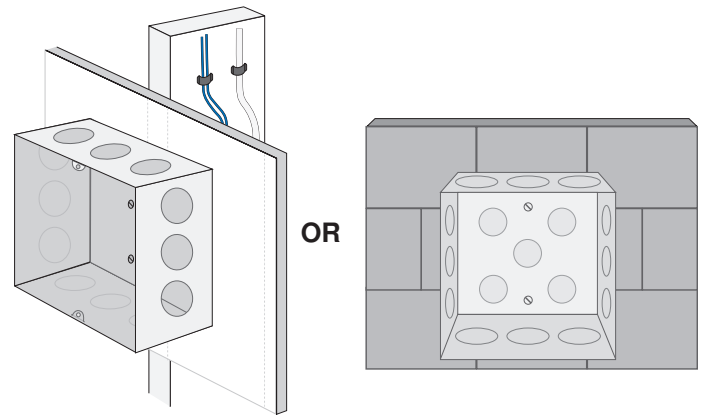


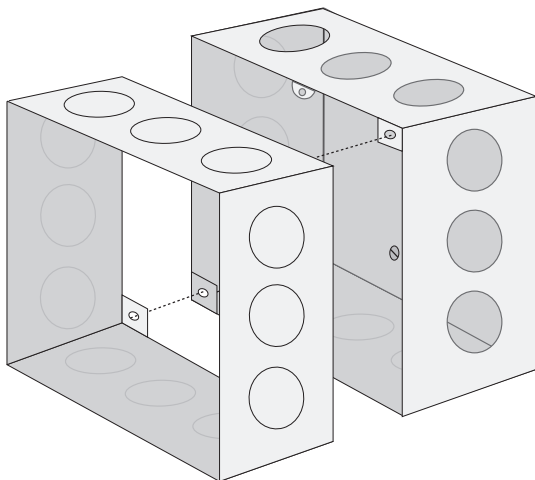
1. Location



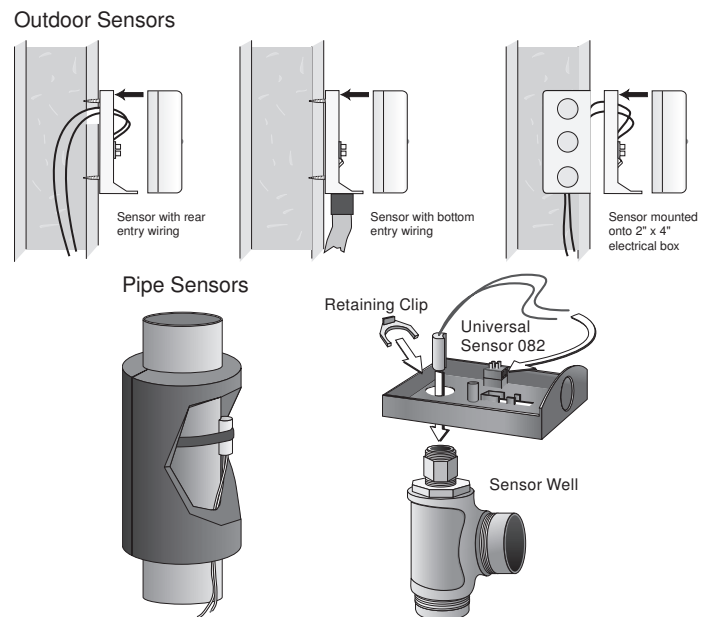
2. Install Junction Box



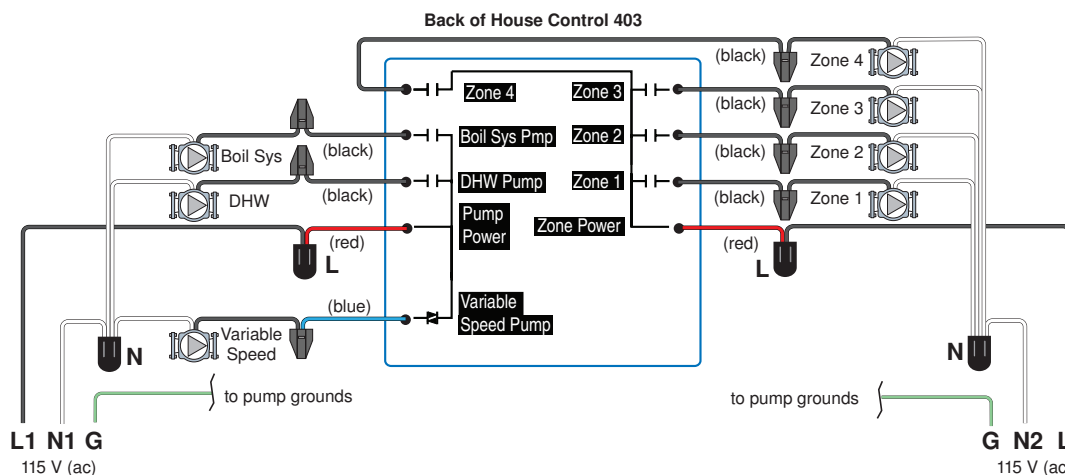
3. Install Extension Ring



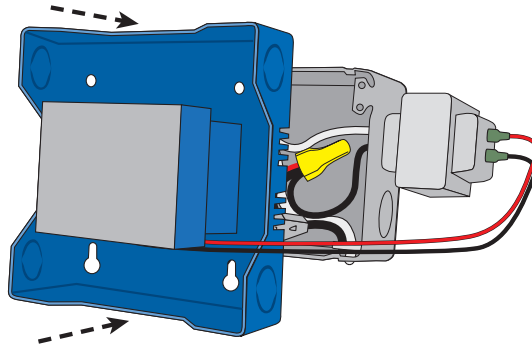
4. Install Sensors



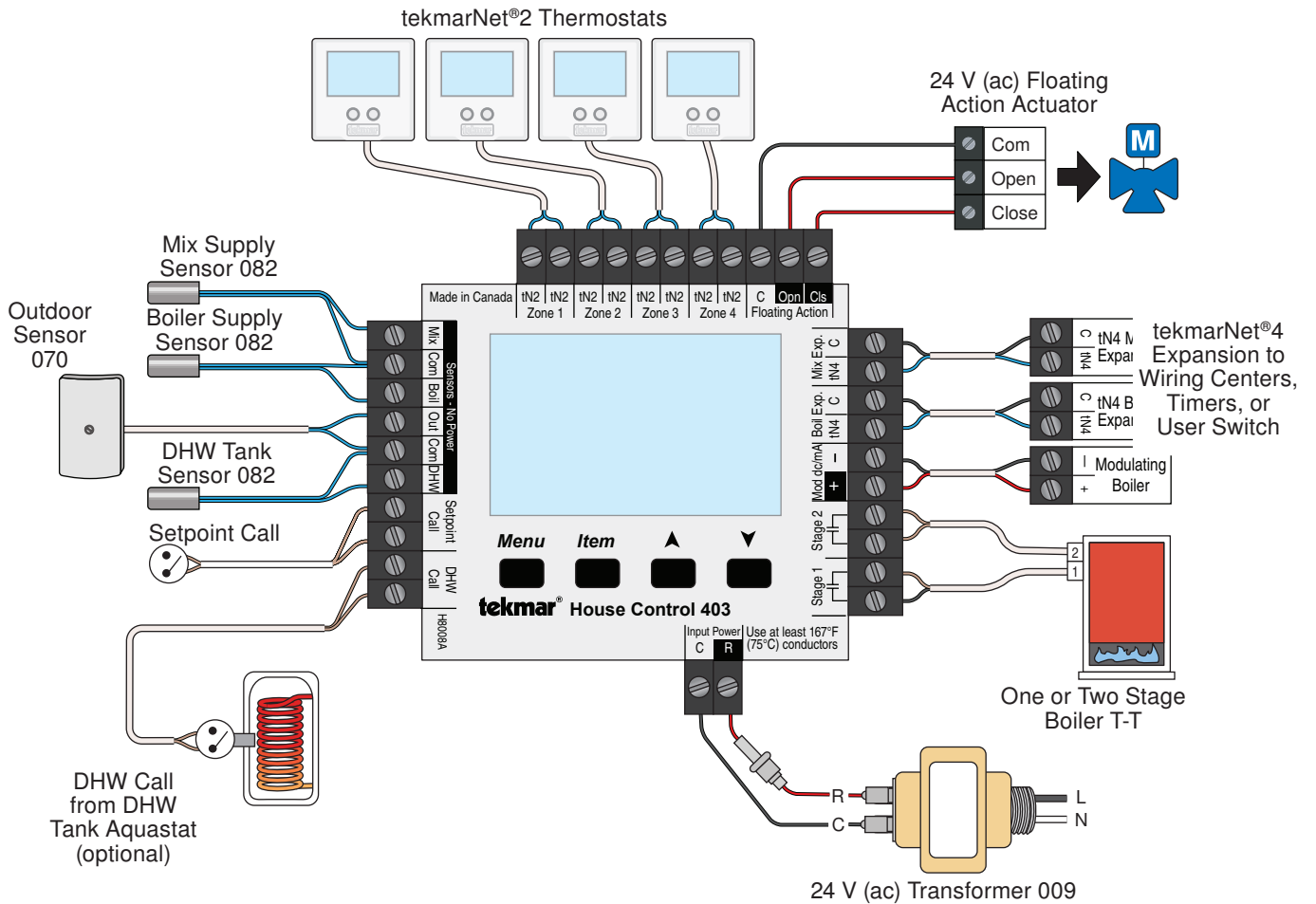
5. Line Voltage Wiring



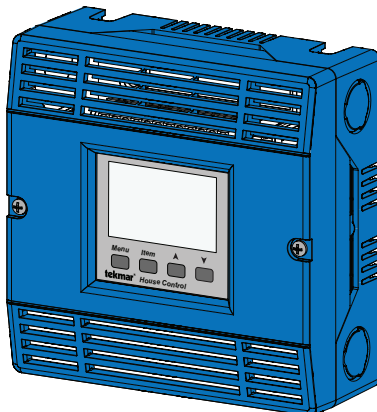
6. Install Enclosure



7. Low Voltage Wiring

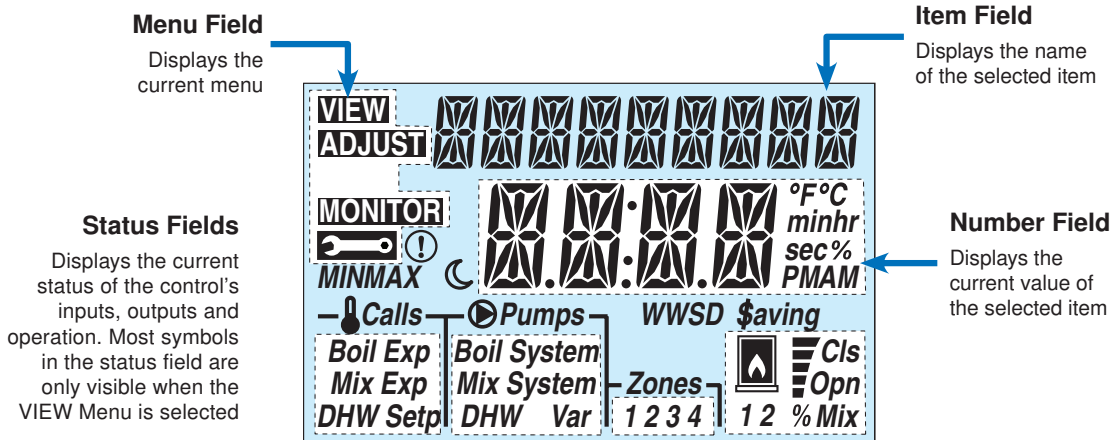


8. Install Cover



9. User Interface

Display



Symbols

	CALLS Displays any call for heat the control is receiving.	$^{\circ}\text{F}^{\circ}\text{C}$ <i>minhr</i> <i>sec%</i>	$^{\circ}\text{F}$, $^{\circ}\text{C}$, %, HOURS, MINUTES, SECOND Units of measurement for current number.
	PUMPS Displays any pump currently operating.		UNOCCUPIED Indicates that a User Switch or Timer has put the system into UnOccupied.
Zones 1 2 3 4	ZONES Displays if an on-board zone is operating.		BOILER Indicates that the boiler should be heating.
	WARNING Displays if an error exists on the system.		DEVICE OUTPUT SCALE Displays output of the mixing valve or injection pump.
\$aving	ENERGY SAVING INDICATOR Displays when the system is saving energy. See the Saving Indicator section.	<i>Cls</i> <i>Opn</i>	CLOSE / OPEN Displays whether the mixing valve motor is opening or closing.
WWSD	WWSD Displays when the system is in Warm Weather Shut Down.	MINMAX	MIN / MAX Displays when an operating temperature reaches a minimum or maximum value.

10. Access Level

Menu

Item

Press menu button until the Toolbox Menu is displayed. Press item button to locate the access level setting.

INST (Installer)
or USER
Default = INST


ACCESS LEVEL

Selects the Access Level of the control, which determines the Menu items available. USER provides the most limited level of access and shows the fewest possible items.


When set to USER, all thermostats are locked and the number of thermostat settings available are reduced.

11. Critical Settings


Menu



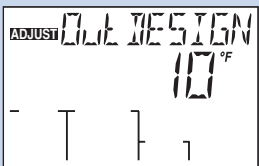
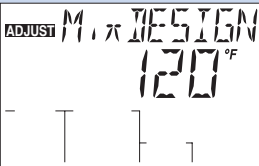
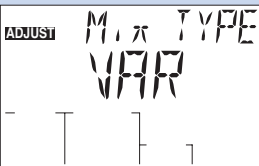
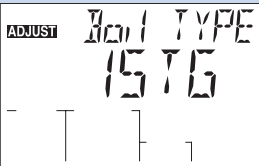
Item



▲ ▼



Press menu button until the Adjust Menu is displayed. Press item button to locate the desired setting.

Item Field	Range	Access	Description	Set to
	-60 to 45°F (-51.0 to 7.0°C) Default = 10°F (-12.0°C)	Installer	OUTDOOR DESIGN Typically set to the temperature of the coldest day of the year. The outdoor air temperature used in the boiler and mixing heating curves that determine the boiler target and the mix target temperatures.	
	70 to 180°F (21.0 to 82.0°C) Default = 120°F (49.0°C)	Installer	MIX DESIGN The supply water temperature required for the mix zones to heat the building on the typical coldest day of the year. Recommendations: High mass radiant floor = 120°F (50°C) Low mass radiant floor = 140°F (60°C) Fancoil or air handling unit = 190°F (90°C) Copper fin-tube convactor = 180°F (80°C) Radiators = 160°F (70°C) Low profile baseboard = 150°F (65°C)	
	4-20 mA, 0-10 V (dc) FLOT, VAR Default = VAR	Installer	MIX TYPE Select the type of mixing device. VAR = Variable speed injection pump FLOT = Floating action motor for mixing valves 0-10 = 0 -10 V (dc) analog signal for mixing valves 4-20 = 4-20 mA analog signal for mixing valves Note: 0-10 and 4-20 are only available when Boiler Type = 1 Stage or 2 Stage.	
	EMS2, EMS1, 4-20 0-10, 2STG, 1STG Default = 1STG	Installer	BOILER TYPE The type of boiler connected to the control. 1STG = single one-stage on-off boiler 2STG = single two-stage on-off boiler 0-10 = 0-10 V (dc) modulating boiler 4-20 = 4-20 mA modulating boiler EMS1 = tekmar boiler staging controls EMS2 = Viessmann modulating boilers with OpenTherm Note: Only 1STG and 2STG are available when the Mix Type is set to 0-10 V (dc) or 4-20 mA.	