



TITAN®

OPERATION MANUAL

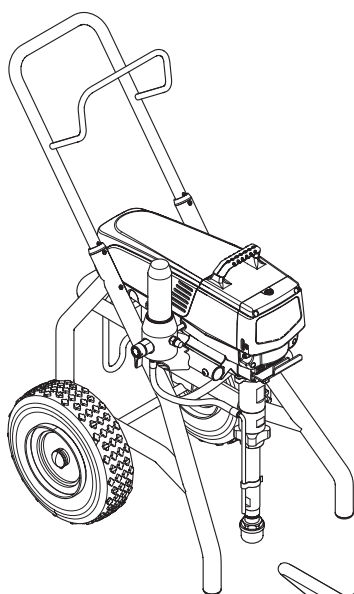
IMPACT® 840 WITH INTELLISYNC® (I) AND ACTIVGUARD™ (IA)

- EN -	OPERATION MANUAL	2
- F -	MODE D'EMPLOI	16
- ES -	INSTRUCCIONES DE USO	30

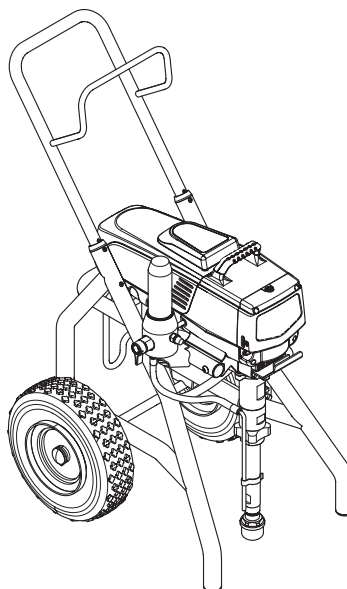
AIRLESS, HIGH-PRESSURE
SPRAYING UNIT

GROUPE DE PROJECTION À
HAUTE PRESSION

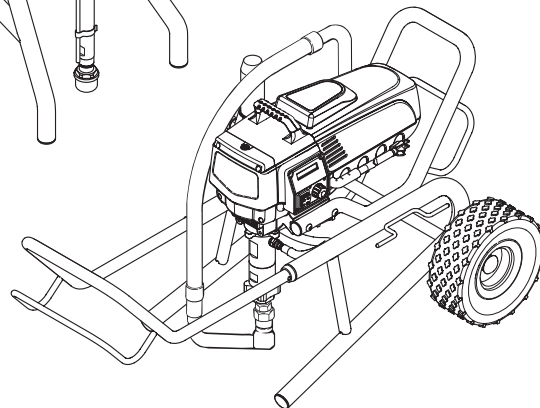
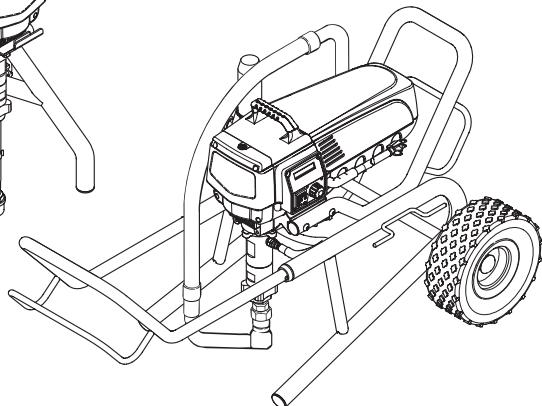
AIRLESS EQUIPO DE ALTA
PRESIÓN PARA PULVERIZAR




IMPACT 840



IMPACT 840I / 840IA



Configuration	High cart			Low cart		
Name	840	840I	840IA	840	840I	840IA
Model #	805-009	2419303	2419222	805-010	2419300	2419297
Specifications						
Gallons per minute	1.0 (3.75 LPM)	1.0 (3.75 LPM)	1.0 (3.75 LPM)	1.0 (3.75 LPM)	1.0 (3.75 LPM)	1.0 (3.75 LPM)
Maximum tip sizes	0.032"	0.032"	0.032"	0.032"	0.032"	0.032"
Maximum pressure	3300 PSI (22.8 MPa)	3300 PSI (22.8 MPa)	3300 PSI (22.8 MPa)	3300 PSI (22.8 MPa)	3300 PSI (22.8 MPa)	3300 PSI (22.8 MPa)
Weight	87 lbs.	87.3 lbs.	87.5 lbs.	85 lbs.	85.3 lbs.	85.5 lbs.
Maximum hose length	300'	300'	300'	300'	300'	300'
Power	2.3 HP Brushless DC Motor, 100~120V AC, 50/60Hz, 15A			2.3 HP Brushless DC Motor, 100~120V AC, 50/60Hz, 15A		
Generator requirement	5000 Watt (disable idle-down feature)			5000 Watt (disable idle-down feature)		
Features						
Digi-Trac™	X	X		X	X	
IntelliSync®		X	X		X	X
ActivGuard™ GPS			X			X
EZ-Tilt Cart			X			
Included accessories						
Spray gun	RX-Pro			RX-Pro		
Spray hose	50' (15 m) P/N 316-505			50' (15 m) P/N 316-505		
Spray filter	60 mesh, P/N 0089958			60 mesh, P/N 0089958		
Literature						
Operation manual (Form No. 0552882)	English / French / Spanish included with product and available online at www.titantool.com			English / French / Spanish included with product and available online at www.titantool.com		
Service manual (Form No. 2421886)	English / French / Spanish available online at www.titantool.com			English / French / Spanish available online at www.titantool.com		
RX-Pro manual (Form No. 0538801)	All languages included with product and available online at www.titantool.com			All languages included with product and available online at www.titantool.com		
Compliance						
	Conforms to UL STD 1450 Certified to CSA STD C22.2 No. 68			Conforms to UL STD 1450 Certified to CSA STD C22.2 No. 68		
Radio Frequency Approvals	<p>Transmitter Frequency (all models): 2.4GHz Transmitter Power (all models): +8dBm NOTE: FCC/IC Notice (all models) Contains FCC ID: RYYEYSKBN Contains IC: 4398B-EYSKBN</p> <p>The enclosed device complies with Part 15 of the FCC Rules and with Industry Canada license-exempt RSS standard(s). Operation is subject to the following two conditions:(1) this device may not cause harmful interference and (2) this device must accept any interference received, including interference that may cause undesired operation.</p> <p>Changes or modifications not expressly approved by the party responsible for compliance could void the user's authority to operate the equipment.</p> <p>This equipment is not granted protection against harmful interference and cannot cause interference on systems properly authorized.</p> <p>This equipment has the board BGM13P22A with homologation code ANATEL 01330-19-03402.</p>					

1 SAFETY REGULATIONS FOR AIRLESS SPRAYING _____ **4**

1.1 Explanation of symbols used _____ 4

1.2 Grounding instructions _____ 4

1.3 Safety hazards _____ 5

2 GENERAL DESCRIPTION _____ **6**

3 OPERATION _____ **7**

3.1 Using the gun trigger lock _____ 7

3.2 Pressure relief procedure _____ 7

3.3 Setup _____ 7

3.4 Preparing a new sprayer _____ 8

3.5 Preparing to paint _____ 8

3.6 Painting _____ 9

3.7 Control panel indicators _____ 9

3.8 IntelliSync® Bluetooth® Technology _____ 10

3.9 Digi-Trac™ Control System operation _____ 10-11

4 SPRAYING TECHNIQUE _____ **12**

4.1 Cleaning a clogged tip _____ 12

5 CLEANUP _____ **13**

5.1 Special cleanup instructions for use with flammable solvents _____ 13

5.2 Cleaning the sprayer _____ 13

5.3 Maintenance _____ 13

6 TROUBLESHOOTING _____ **14**

6.1 Digi-Trac Control System error messages _____ 15

ACCESSORIES _____ **44/45**

WARRANTY _____ **46**



WARNING! CALIFORNIA PROPOSITION 65 WARNING

This product can expose you to chemicals including lead, which are known to the State of California to cause cancer, birth defects, or other reproductive harm.

For more information go to www.P65warnings.ca.gov.

1 SAFETY REGULATIONS FOR AIRLESS SPRAYING

1.1 EXPLANATION OF SYMBOLS USED

This manual contains information that must be read and understood before using the equipment. When you come to an area that has one of the following symbols, pay particular attention and make certain to heed the safeguard.



→ This symbol indicates a potential hazard that may cause serious injury or loss of life. Important safety information will follow.



Attention

→ This symbol indicates a potential hazard to you or to the equipment. Important information that tells how to prevent damage to the equipment or how to avoid causes of minor injuries will follow.



→ Danger of skin injection



→ Danger of fire from solvent and paint fumes



→ Danger of explosion from solvent, paint fumes and incompatible materials



→ Danger of injury from inhalation of harmful vapors



→ Danger of electric shock



→ Notes give important information which should be given special attention.

1.2 GROUNDING INSTRUCTIONS

This product must be grounded. In the event of an electrical short circuit, grounding reduces the risk of electric shock by providing an escape wire for the electric current. This product is equipped with a cord having a grounding wire with an appropriate grounding plug. The plug must be plugged into an outlet that is properly installed and grounded in accordance with all local codes and ordinances.

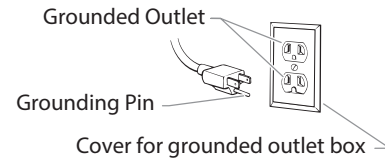


WARNING - Improper installation of the grounding plug can result in a risk of electric shock.

If repair or replacement of the cord or plug is necessary, do not connect the green grounding wire to either flat blade terminal. The wire with insulation having a green outer surface with or without yellow stripes is the grounding wire and must be connected to the grounding pin.

Check with a qualified electrician or serviceman if the grounding instructions are not completely understood, or if you are in doubt as to whether the product is properly grounded. Do not modify the plug provided. If the plug will not fit the outlet, have the proper outlet installed by a qualified electrician.

This product is for use on a nominal 120 volt circuit and has a grounding plug that looks like the plug illustrated below. Make sure that the product is connected to an outlet having the same configuration as the plug. No adapter should be used with this product.



1.3 SAFETY HAZARDS



WARNING: INJECTION INJURY

A high pressure stream produced by this equipment can pierce the skin and underlying tissues, leading to serious injury and possible amputation.

Do not treat a spraying injury as a harmless cut. In case of injury to the skin through coating materials or solvents, consult a doctor immediately for quick and expert treatment. Inform the doctor about the coating material or solvent used.

PREVENTION:

- Do not aim the gun at, or spray any person or animal.
- Keep hands and other body parts away from the discharge. For example, do not try to stop leaks with any part of the body.
- NEVER put your hand in front of the gun. Gloves will not provide protection against an injection injury.
- ALWAYS keep the tip guard in place while spraying. The tip guard provides some protection but is mainly a warning device.
- Only use a nozzle tip specified by the manufacturer.
- Use caution when cleaning and changing nozzle tips. In the case where the nozzle tip clogs while spraying, ALWAYS lock gun trigger, shut pump off, and release all pressure before servicing, cleaning tip or guard, or changing tip. Pressure will not be released by turning off the motor. The PRIME/SPRAY valve or pressure bleed valve must be turned to their appropriate positions to relieve system pressure. Refer to PRESSURE RELIEF PROCEDURE described in the pump manual.
- Do not leave the unit energized or under pressure while unattended. When the unit is not in use, turn off the unit and relieve the pressure in accordance with the manufacturer's instructions.
- High-pressure spray is able to inject toxins into the body and cause serious bodily injury. In the event that injection occurs, seek medical attention immediately.
- Check hoses and parts for signs of damage, a leak can inject material into the skin. Inspect hose before each use. Replace any damaged hoses or parts. Only use TITAN original-high-pressure hoses in order to ensure functionality, safety and durability.
- This system is capable of producing 3300 PSI / 228 Bar. Only use replacement parts or accessories that are specified by the

manufacturer and that are rated a minimum of 3300 PSI. This includes spray tips, nozzle guards, guns, extensions, fittings, and hoses.

- Always engage the trigger lock when not spraying. Verify the trigger lock is functioning properly.
- Verify that all connections are secure before operating the unit.
- Know how to stop the unit and bleed pressure quickly. Be thoroughly familiar with the controls. Pressure will not be released by turning off the motor. The PRIME/SPRAY valve or pressure bleed valve must be turned to their appropriate positions to relieve system pressure. Refer to PRESSURE RELIEF PROCEDURE described in the pump manual.
- Always remove the spray tip before flushing or cleaning the system.



NOTE TO PHYSICIAN: Injection into the skin is a traumatic injury which can lead to possible amputation. It is important to treat the injury as soon as possible. DO NOT delay treatment to research toxicity. Toxicity is a concern with some coatings injected directly into the blood stream. Consultation with a plastic surgeon or reconstructive hand surgeon may be advisable.



WARNING: HIGH PRESSURE HOSE

The paint hose can develop leaks from wear, kinking and abuse. A leak can inject material into the skin. Inspect the hose before each use.

PREVENTION:

- Avoid sharp bending or kinking of the high-pressure hose. The smallest bending radius amounts to about 8" (20 cm).
- Do not drive over the high-pressure hose. Protect against sharp objects and edges.
- Replace any damaged high-pressure hose immediately.
- Never repair damaged high-pressure hoses yourself!
- Electrostatic charging of spray guns and the high-pressure hose is discharged through the high-pressure hose. For this reason the electric resistance between the connections of the high-pressure hose must be equal to or lower than 1MΩ.
- For reasons of function, safety and durability use only original Titan high-pressure hoses.
- Before each use, check all hoses for cuts, leaks, abrasion or bulging of cover. Check for damage or movement of couplings. Immediately replace the hose if any of these conditions exist. Never repair a paint hose. Replace it with another earthed high-pressure hose.
- Make sure power cord, air hose and spray hoses are routed in such a manner to minimize slip, trip and fall hazard.



WARNING: EXPLOSION OR FIRE

Flammable vapors, such as solvent and paint vapors, in work area can ignite or explode.



PREVENTION:

- Do not spray flammable or combustible materials near an open flame, pilot lights or sources of ignition such as hot objects, cigarettes, motors, electrical equipment and electrical appliances. Avoid creating sparks from connecting and disconnecting power cords.
- Use extreme caution when using materials with a flashpoint below 100°F (38°C). Flashpoint is the temperature that a fluid can produce enough vapors to ignite.
- Paint or solvent flowing through the equipment is able to result in static electricity. Static electricity creates a risk of fire or explosion in the presence of paint or solvent fumes. All parts of the spray system, including the pump, hose assembly, spray gun and objects in and around the spray area shall be properly grounded to protect against static discharge and sparks. Use only conductive or grounded high-pressure airless paint sprayer hoses specified by the manufacturer.
- Verify that all containers and collection systems are grounded to prevent static discharge.
- Do not use a paint or solvent containing halogenated hydrocarbons. Such as chlorine, bleach mildewcide, methylene chloride and trichloroethane. They are not compatible with aluminum. Contact the coating supplier about compatibility of material with aluminum.
- Keep spray area well ventilated. Keep a good supply of fresh air moving through the area to keep the air within the spray area free from accumulation of flammable vapors. Keep pump assembly in well ventilated area. Do not spray pump assembly.
- Do not smoke in the spray area.
- Do not operate light switches, engines, or similar spark producing products in the spray area.
- Keep area clean and free of paint or solvent containers, rags, and other flammable materials.
- Know the contents of the paint and solvents being sprayed. Read all material Safety Data Sheets (SDS) and container labels provided with the paints and solvents. Follow the paint and solvent manufacture's safety instructions.
- Place pump at least 20 feet (6.1 meters) from the spray object in a well ventilated area (add more hose if necessary). Flammable vapors are often heavier than air. Floor area must be extremely well ventilated. The pump contains arcing parts that emit sparks and can ignite vapors.
- Plastic can cause static sparks. Never hang plastic to enclose spray area. Do not use plastic drop cloths when spraying flammable material.
- Fire extinguisher equipment shall be present and working.



WARNING: HAZARDOUS VAPORS

Paints, solvents, and other materials can be harmful if inhaled or come in contact with body. Vapors can cause severe nausea, fainting, or poisoning.

PREVENTION:

- Wear respiratory protection when spraying. Read all instructions supplied with the mask to be sure it will provide the necessary protection.

- All local regulations regarding protection against hazardous vapors must be observed.
- Wear protective eyewear.
- Protective clothing, gloves and possibly skin protection cream are necessary for the protection of the skin. Observe the regulations of the manufacturer concerning coating materials, solvents and cleaning agents in preparation, processing and cleaning units.

**WARNING: GENERAL**

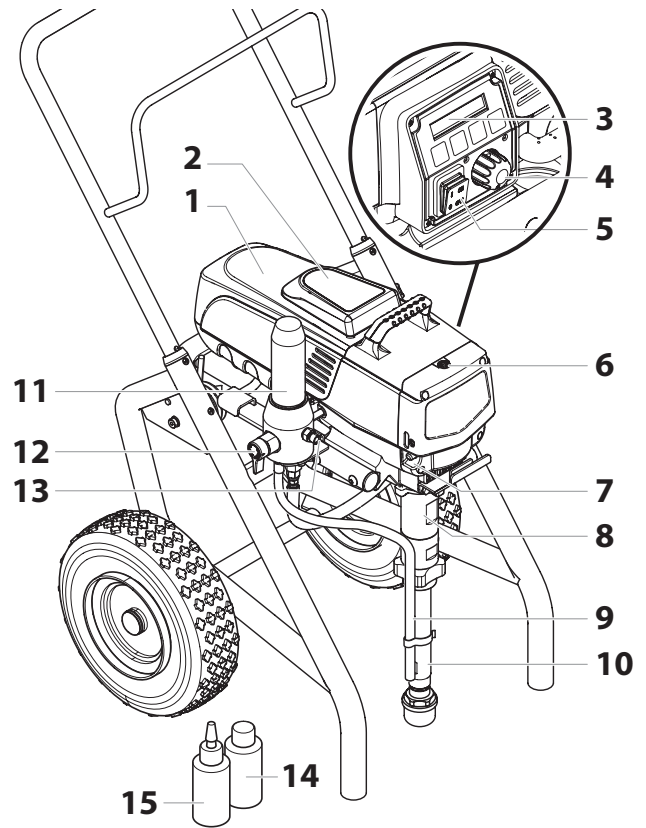
This product can cause severe injury or property damage.

PREVENTION:

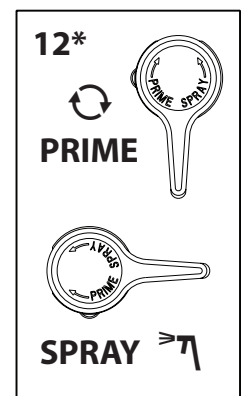
- Always wear appropriate gloves, eye protection, clothing and a respirator or mask when painting.
- Do not operate or spray near children. Keep children away from equipment at all times.
- Do not overreach or stand on an unstable support. Keep effective footing and balance at all times.
- Stay alert and watch what you are doing.
- Do not operate the unit when fatigued or under the influence of drugs or alcohol.
- Do not kink or over-bend the hose. Airless hose can develop leaks from wear, kinking and abuse. A leak can inject material into the skin.
- Do not expose the hose to temperatures or pressures in excess of those specified by manufacturer.
- Do not use the hose as a strength member to pull or lift the equipment.
- Use lowest possible pressure to flush equipment.
- Follow all appropriate local, state and national codes governing ventilation, fire prevention and operation.
- The United States Government Safety Standards have been adopted under the Occupational Safety and Health Act (OSHA). These standards, particularly part 1910 of the General Standards and part 1926 of the Construction Standards should be consulted.
- Before each use, check all hoses for cuts, leaks, abrasion or bulging of cover. Check for damage or movement of couplings. Immediately replace hose if any of those conditions exist. Never repair a paint hose. Replace with a conductive high-pressure hose.
- Do not spray outdoors on windy days.
- Always unplug cord from outlet before working on equipment (electric models only).

2 GENERAL DESCRIPTION

This airless sprayer is a precision power tool used for spraying many types of materials. Read and follow this instruction manual carefully for proper operating instructions, maintenance, and safety information.



1. Motor
2. IntelliSync®/Bluetooth® (if equipped)
3. Digi-Trac™ Control System (if equipped)
4. Pressure control knob
5. ON/OFF switch
6. Oiler cap
7. Oiler button
8. Fluid section
9. Return hose
10. Siphon tube
11. Filter assembly
12. PRIME/SPRAY valve
13. Outlet fitting
14. Liquid Shield™ (4 oz.)
15. Piston Lube™ (4 oz.)



3 OPERATION

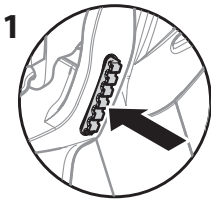


This equipment produces a fluid stream at extremely high pressure. Read and understand the warnings in the Safety Precautions section at the front of this manual before operating this equipment.

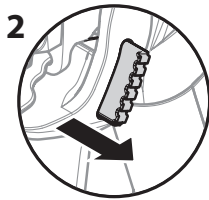
3.1 USING THE GUN TRIGGER LOCK

Always engage the gun's trigger lock when the gun is not in use.

1. To lock the trigger, push in the trigger lock from **left to right**, when looking at the rear of the gun.
2. To unlock the trigger, push the trigger lock from **right to left**, when looking at the rear of the gun.



1
GUN LOCKED
(GUN WILL NOT SPRAY)



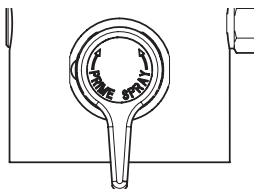
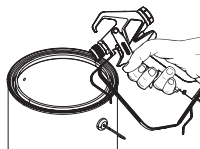
2
GUN UNLOCKED
(GUN WILL SPRAY)

3.2 PRESSURE RELIEF PROCEDURE



Be sure to follow the Pressure Relief Procedure when shutting down the sprayer for any purpose, including servicing or adjusting any part of the spray system, changing or cleaning spray tips, or preparing for cleanup.

1. Lock the gun by pushing the gun trigger lock to the locked position.
2. Turn off the sprayer by moving the ON/OFF switch to the OFF position.
3. Turn the pressure control knob counterclockwise to its OFF position in the black zone.
4. Unlock the gun by pushing the gun trigger lock to the unlocked position.
5. Hold the metal part of the gun firmly to the side of a metal container to ground the gun and avoid a build up of static electricity.
6. Trigger the gun to remove any pressure that may still be in the hose.
7. Lock the gun by pushing the gun trigger lock to the locked position.
8. Move the PRIME/SPRAY valve down to the PRIME position.



3.3 SETUP

Perform the following procedure before plugging in the power cord of an electric unit.

1. Ensure that the siphon tube and the return hose are attached and secure.
2. Using a wrench, attach a minimum of 50' of 1/4" airless spray hose to the outlet fitting on the sprayer. Tighten securely.
3. Attach an airless spray gun to the spray hose. Using two wrenches (one on the gun and one on the hose), tighten securely.



Do not attach the tip to the spray gun yet. Remove the tip if it is already attached.



Make sure all airless hoses and spray guns are electrically grounded and rated at or above the maximum operating pressure range of the airless sprayer.

4. Make sure the pressure control knob is in its OFF position in the black zone.
5. Make sure the ON/OFF switch is in its OFF position.
6. Remove the fill cap with a straight-slot screwdriver, or a coin. Fill the oil reservoir with one ounce of piston seal lubricant (Piston Lube). Replace oiler cap.
7. Press oiler button 2-5 times to prime the oiler. Press once for every eight hours of usage to lubricate the fluid section.



Never operate unit for more than ten seconds without fluid. Operating this unit without fluid will cause unnecessary wear to the packings.

8. Make sure the electrical service is 120V, 15 amp minimum.
9. Plug the power cord into a properly grounded outlet at least 25' from the spray area.



Always use a minimum 12 gauge, three-wire extension cord with a grounded plug. Never remove the third prong or use an adapter.

After turning pump off, allow 30 seconds for the power to completely drain from capacitors.

3.4 PREPARING A NEW SPRAYER

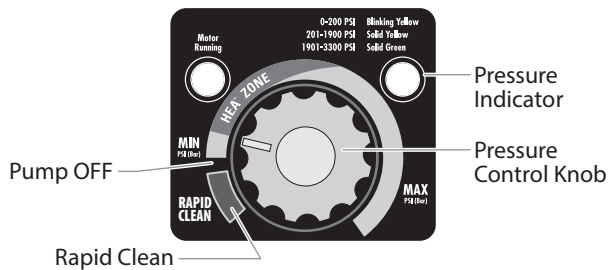
If this sprayer is new, it is shipped with test fluid in the fluid section to prevent corrosion during shipment and storage. This fluid must be thoroughly cleaned out of the system with mineral spirits before you begin spraying.



Attention

Always keep the trigger lock on the spray gun in the locked position while preparing the system.

1. Place the siphon tube into a container of mineral spirits.
2. Place the return hose into a metal waste container.
3. Set the pressure to minimum by turning the pressure control knob to the "MIN" setting.



4. Move the PRIME/SPRAY valve down to the PRIME position.
5. Turn on the sprayer by moving the ON/OFF switch to the ON position.
6. Allow the sprayer to run for 15–30 seconds to flush the test fluid out through the return hose and into the waste container.
7. Turn off the sprayer by moving the ON/OFF switch to the OFF position.

3.5 PREPARING TO PAINT

Before painting, it is important to make sure that the fluid in the system is compatible with the paint that is going to be used.



Incompatible fluids and paint may cause the valves to become stuck closed, which would require disassembly and cleaning of the sprayer's fluid section.



Attention

Always keep the trigger lock on the spray gun in the locked position while preparing the system.

1. Place the siphon tube into a container of the appropriate solvent. Examples of the appropriate solvent are water for latex paint or mineral spirits for oil-based paints.
2. Place the return hose into a metal waste container.
3. Set the pressure to minimum by turning the pressure control knob to the "MIN" setting.

4. Move the PRIME/SPRAY valve down to the PRIME position.



Hold the return hose in the waste container when moving the PRIME/SPRAY valve to PRIME in case the sprayer is pressurized.

5. Turn on the sprayer by moving the ON/OFF switch to the ON position.
6. Allow the sprayer to run for 15–30 seconds to flush the old solvent out through the return hose and into the metal waste container.
7. Turn off the sprayer by moving the ON/OFF switch to the OFF position.



Make sure that the spray gun does not have a tip or tip guard installed.

8. Move the PRIME/SPRAY valve up to the SPRAY position.
9. Turn on the sprayer.
10. Unlock the gun by pushing the gun trigger lock to the unlocked position.



Ground the gun by holding it against the edge of the metal container while flushing. Failure to do so may lead to a static electric discharge, which may cause a fire.

11. Trigger the gun into the metal waste container until the old solvent is gone and fresh solvent is coming out of the gun.
12. Lock the gun by pushing the gun trigger lock to the locked position.
13. Set down the gun and increase the pressure by turning the pressure control knob slowly clockwise.
14. Check the entire system for leaks. If leaks occur, follow the "Pressure Relief Procedure" in this manual before tightening any fittings or hoses.
15. Follow the "Pressure Relief Procedure" in this manual before changing from solvent to paint.



Be sure to follow the pressure relief procedure when shutting down the sprayer for any purpose, including servicing or adjusting any part of the spray system, changing or cleaning spray tips, or preparing for cleanup.

3.6 PAINTING

1. Place the siphon tube into a container of paint.
2. Place the return hose into a metal waste container.
3. Set the pressure to minimum by turning the pressure control knob to the "MIN" setting.
4. Move the PRIME/SPRAY valve down to the PRIME position.
5. Turn on the sprayer by moving the ON/OFF switch to the ON position.
6. Allow the sprayer to run until paint is coming through the return hose into the metal waste container.
7. Turn off the sprayer by moving the ON/OFF switch to the OFF position.
8. Remove the return hose from the waste container and place it in its operating position above the container of paint.
9. Move the PRIME/SPRAY valve up to the SPRAY position.
10. Turn on the sprayer.
11. Unlock the gun by turning the gun trigger lock to the unlocked position.



Ground the gun by holding it against the edge of the metal container while flushing. Failure to do so may lead to a static electric discharge, which may cause a fire.

12. Trigger the gun into the metal waste container until all air and solvent is flushed from the spray hose and paint is flowing freely from the gun.
13. Lock the gun by pushing the gun trigger lock to the locked position.
14. Turn off the sprayer.
15. Attach tip guard and tip to the gun as instructed by the tip guard or tip manuals.



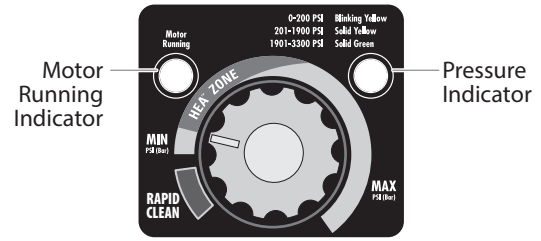
POSSIBLE INJECTION HAZARD. Do not spray without the tip guard in place. Never trigger the gun unless the tip is in either the spray or the unclog position. Always engage the gun trigger lock before removing, replacing or cleaning tip.

16. Turn on the sprayer.
17. Increase the pressure by turning the pressure control knob slowly clockwise and test the spray pattern on a piece of cardboard. Adjust the pressure control knob until the spray from the gun is completely atomized. Try to keep the pressure control knob at the lowest setting that maintains good atomization.



Turning the pressure up higher than needed to atomize the paint will cause premature tip wear and additional overspray.

3.7 CONTROL PANEL INDICATORS



MOTOR RUNNING INDICATOR

The Motor Running indicator is on when the motor is commanded to run. This indicator is used by service centers to troubleshoot motor problems.

PRESSURE INDICATOR

The pressure indicator shows the current operating pressure of the sprayer. It has three different indications: blinking yellow, solid yellow, and solid green.

Blinking Yellow

When the pressure indicator is blinking yellow, the sprayer is operating between 0 and 200 PSI. A blinking yellow pressure indicator means:

- The sprayer is plugged in and turned "ON"
- The sprayer is at priming pressure (little or no pressure)
- It is safe to move the relief valve between positions
- It is safe to change or replace the spray tip



If the pressure indicator begins blinking yellow when the pressure control knob is set at a higher pressure and the relief valve is in the SPRAY position, either the spray tip is worn or the sprayer is in need of service/repair.

SOLID YELLOW

When the pressure indicator is solid yellow, the sprayer is operating between 201 and 1900 PSI. A solid yellow pressure indicator means:

- The sprayer is at the proper pressure setting for spraying stain, lacquer, varnish, and multi-colors
- If the pressure indicator goes to solid yellow when the pressure is set so that it starts at solid green, it indicates one of the following:
 - a. **Tip Wear Indicator** — when spraying with latex or at high pressure the solid yellow appears. This means the tip is worn and needs to be replaced.
 - b. **Tip Too Large** — when a tip that is too large for the sprayer is put in the gun, the pressure indicator will turn from solid green to solid yellow.
 - c. **Fluid Section Wear** — if a solid yellow pressure indicator appears when using a new tip and the pressure is set at maximum, service may be required (worn packings, worn piston, stuck valve, etc...).

SOLID GREEN

When the pressure indicator is solid green, the sprayer is operating between 1901 and 3300 PSI. A solid green pressure indicator means:

- The sprayer is at the proper pressure setting for spraying oil-based and latex house paints
- The sprayer is operating at peak performance at a high pressure setting

3.8 INTELLISYNC® BLUETOOTH® TECHNOLOGY (IF EQUIPPED)

Impact 840I and 840IA models are equipped with IntelliSync® capabilities. The MyTitan™ app can be downloaded from Google play, the Apple App Store, or other app sources to connect to the sprayer via Bluetooth.

Innovation meets practicality with the MyTitan™ owner account and smart app, featuring revolutionary technology that puts total control of your business in the palm of your hand. Packed with useful features and that allows you to control your pump, track your jobs, setup service reminder, manage your fleet of sprayers as well as Industry exclusive TipAware™ tip wear indicator and ActivGuard™ (on specific models) the MyTitan™ app will save you time, increase productivity and let you manage every project more effectively and efficiently.

The MyTitan™ app can be used with all airless sprayers, although connectivity is limited to only Titan Pumps equipped with Bluetooth® technology.

For information about the MyTitan™ user account and app, visit www.titantool.com.



INTELLISYNC
BLUETOOTH CONNECTIVITY

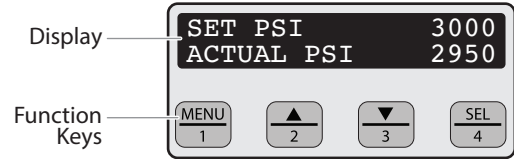


ACTIVGUARD™
REAL-TIME GPS

3.9 DIGI-TRAC™ CONTROL SYSTEM (IF EQUIPPED)



The Digi-Trac Control System increases the functionality of the sprayer. It is installed directly below the pressure control knob on the control panel. It consists of a display and four function keys. The display shows various menu screens that allow the user to customize and monitor sprayer operation using the function keys.



The pressure control knob overrides the Digi-Trac. Anytime the pressure control knob is turned, the sprayer pressure will change accordingly.

FUNCTION KEYS

The function keys are numbered 1–4. Each key is labeled with an additional function as well.

#1/Menu Key	Pressing the #1 key scrolls through the available menu screens or performs a function described on the active menu screen.
#2/▲ Key	Pressing the #2 key performs a function described on the active menu screen or increases a value.
#3/▼ Key	Pressing the #3 key performs a function described on the active menu screen or decrease a value.
#4/Select Key	Pressing the #4 key selects the active menu screen or performs a function described on the active menu screen.

MENU SCREENS

Several menu screens are available for the user to customize and monitor sprayer operation. They include Main Screen, Volume Pumped, Job Volume, Unit Serial #, Timers, Job Timers, Service Time, Security Code, Prime, and Rapid Clean.

MAIN SCREEN

The Main Screen is the default screen for the control system at sprayer startup.



Pressing the #2 key switches between PSI, BAR and MPa units of measure.

Press the #1 key to scroll through the remaining menu screens.

VOLUME PUMPED SCREEN

The Volume Pumped screen shows the total number of gallons or liters sprayed by the sprayer.

VOLUME PUMPED
MENU-1 SELECT-4

To select the Volume Pumped screen, press the #4 key.

GALLONS X
MENU-1

JOB VOLUME SCREEN

The Job Volume screen allows the user to reset a liter counter to track usage on specific jobs.

JOB VOLUME
MENU-1 SELECT-4

To select the Job Volume screen, press the #4 key.

JOB GAL XXXX
MENU-1 RESET-3

UNIT SERIAL # SCREEN

The Unit Serial # screen shows the sprayers serial number.

UNIT SERIAL #
MENU-1 SELECT-4

To select the Unit Serial # screen, press the #4 key.

SER # XXXXXXXXXXXX
MENU-1

TIMERS SCREEN

The Timers screen shows the total time the sprayer has been turned on as well as the total time the sprayer has been running (pumping).

TIMERS
MENU-1 SELECT-4

To select the Timers screen, press the #4 key.

ON TIME XXXX
RUN TIME XXXX

JOB TIMERS SCREEN

The Job Timers screen allows the user to reset the "ON TIME" and "RUN TIME" to track time on specific jobs.

JOB TIMERS
MENU-1 SELECT-4

To select the Job Timers screen, press the #4 key. "JOB ON" screen will appear. Press #3 to reset. Press #1 to continue to "JOB RUN" screen. Press #3 to reset. Press #1 to scroll through the remaining menu screens.

JOB ON X
MENU-1 RESET-3

JOB RUN X
MENU-1 RESET-3

SERVICE TIME SCREEN

The Service Time screen allows the user to set a service time interval (in hours). Below the set time, the screens shows the current amount of hours on the sprayer since the last activation of the service timer. To select the Service Timer screen, press the #4 key.

SERVICE TIME
MENU-1 SELECT-4

To set the service time, press the #2 (up) and/or the #3 (down) keys to the desired time (run hours will increase/decrease in increments of 25 for each time you press a key).

SERVICE @ XX
RUN HOURS XX

When the sprayer reaches the SERVICE@ time selected, the screen will display "SERVICE DUE". To reset the timer, press the #3 key when the pump is first turned on. This will reset the "SERVICE DUE" message and also reset the "SERVICE TIME" to the previous setting.

SECURITY CODE SCREEN

The Security Code screen allows the user to set a four digit security code to prevent unauthorized use of the sprayer. If a security code has been set, the control system display will ask for the code at startup. If the correct code is entered, the display will show the Main Screen and the sprayer will operate. If the wrong code is entered, the display will continue to ask for the correct code and the sprayer will not work. To set or change the security code, press the #2 key.

SECURITY CODE
MENU-1 CHANGE-2



If the sprayer is new, no security code is set and the Main Screen will appear at startup. When setting a security code for the first time, the "Enter Old Code Number" screen will appear, and you will need to enter "1111".

Enter the old security code number to access the screen that allows the code change. If the wrong code is entered, the display will continue to ask for the correct code and the security code cannot be changed.

Enter the new security code. Once the new code is entered, the display will automatically ask that the new code be re-entered for verification. If the same new code is re-entered, the display will confirm that the new code has been accepted and return to the Main Screen.

ENTER NEW CODE
NUMBER XXXX

RE-ENTER NEW
NUMBER XXXX

NEW CODE NUMBER
ACCEPTED

If the new code is re-entered incorrectly, the display will return to the "Enter New Code Number" screen and the process will repeat.

If you forget or misplace your security code, you can contact Titan customer service for assistance.



To inactivate the security function, enter "1111" at the "Enter New Code Number" screen (this is the default code that leaves the sprayer unlocked). As a result, the Main Screen will appear at sprayer startup.

PRIME SCREEN

The Prime screen appears when the pressure control knob is set at the "MIN" setting.

PRIME

RAPID CLEAN SCREEN

The Rapid Clean screen appears when the pressure control knob is set at the RAPID CLEAN position and the PRIME/SPRAY valve is in the PRIME position.

RAPID CLEAN



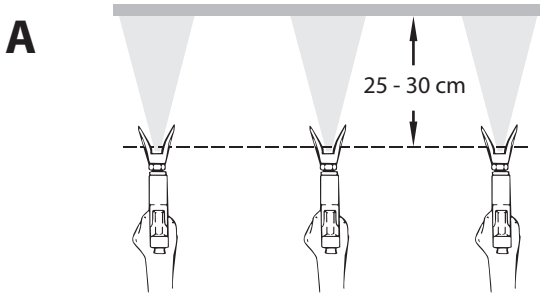
If there is no action at any menu screen for 30 seconds, the display will go back to the Main Screen.

4 SPRAYING TECHNIQUE



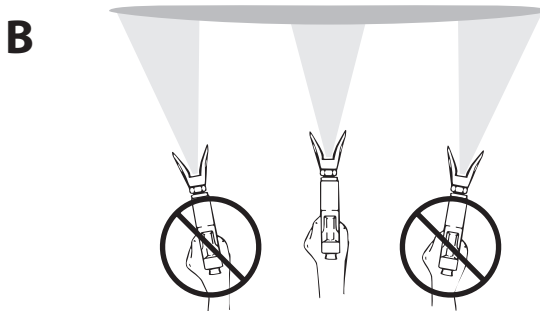
INJECTION HAZARD. Do not spray without the tip guard in place. NEVER trigger the gun unless the tip is completely turned to either the spray or the unplug position. ALWAYS engage the gun trigger lock before removing, replacing or cleaning tip.

- A) The key to a good paint job is an even coating over the entire surface. Keep your arm moving at a constant speed and keep the spray gun at a constant distance from the surface. The best spraying distance is 10-12 inches (25 to 30 cm) between the spray tip and the surface.

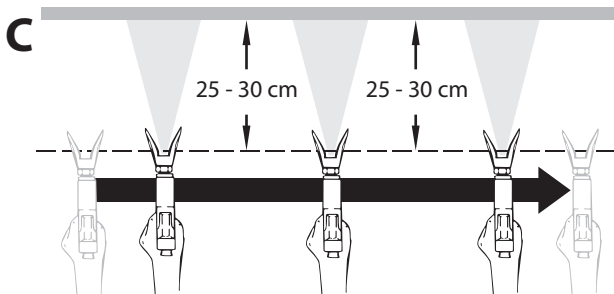


- B) Keep the spray gun at right angles to the surface. This means moving your entire arm back and forth rather than just flexing your wrist.

Keep the spray gun perpendicular to the surface, otherwise one end of the pattern will be thicker than the other.



- C) Trigger gun after starting the stroke. Release the trigger before ending the stroke. The spray gun should be moving when the trigger is pulled and released. Overlap each stroke by about 30%. This will ensure an even coating.



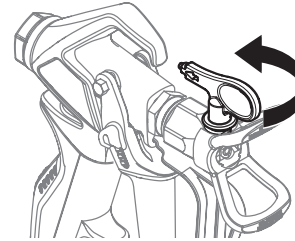
If very sharp edges result or if there are streaks in the spray jet – increase the operating pressure or dilute the coating material.

4.1 CLEANING A CLOGGED TIP



If the spray pattern becomes distorted or stops completely while pulling the trigger, perform the steps below.

1. Move the PRIME/SPRAY valve down to the PRIME position.
2. If the tip clogs, rotate the tip handle 180° until the arrow on the handle is facing the opposite of the spray direction and the handle clicks in the reverse position.



3. Move the PRIME/SPRAY valve up to the SPRAY position.
4. Trigger the gun once so that the pressure can blow the clog out. NEVER use the tip in the reverse position for more than ONE trigger pull at a time. This procedure can be repeated until the tip is free of clogging.



The flow from the spray tip is at very high pressure. Contact with any body part may be dangerous. Do not place finger on gun outlet. Do not point the gun at any person. Never operate the spray gun without the proper tip guard.

5 CLEANUP



Attention

The sprayer, hose, and gun should be cleaned thoroughly after daily use. Failure to do so permits material to build up, seriously affecting the performance of the unit.



Always spray at minimum pressure with the gun nozzle tip removed when using mineral spirits or any other solvent to clean the sprayer, hose, or gun. Static electricity buildup may result in a fire or explosion in the presence of flammable vapors.

5.1 SPECIAL CLEANUP INSTRUCTIONS FOR USE WITH FLAMMABLE SOLVENTS

- Always flush spray gun preferably outside and at least one hose length from spray pump.
- If collecting flushed solvents in a one gallon metal container, place it into an empty five gallon container, then flush solvents.
- Area must be free of flammable vapors.
- Follow all cleanup instructions.

5.2 CLEANING THE SPRAYER

1. Follow the “Pressure Relief Procedure” found in the Operation section of this manual.
2. Remove the gun tip and tip guard and clean with a brush using the appropriate solvent.
3. Place the siphon tube into a container of the appropriate solvent. Examples of the appropriate solvent are water for latex paint or mineral spirits for oil-based paints.
4. Place the return hose into a metal waste container.
5. Move the PRIME/SPRAY valve down to its PRIME position.



Hold the return hose in the waste container when moving the PRIME/SPRAY valve to PRIME in case the sprayer is pressurized.

6. Set the pressure to RAPID CLEAN by turning the pressure control knob to its RAPID CLEAN position.
7. Turn on the sprayer by moving the ON/OFF switch to the ON position.
8. Allow the solvent to circulate through the unit and flush the paint out of the return hose into the metal waste container.
9. Turn off the sprayer by moving the ON/OFF switch to the OFF position.
10. Move the PRIME/SPRAY valve up to its SPRAY position.
11. Turn on the sprayer.



Ground the gun by holding it against the edge of the metal container while flushing. Failure to do so may lead to a static electric discharge, which may cause a fire.

12. Trigger the gun into the metal waste container until the paint is flushed out of the hose and solvent is coming out of the gun.
13. Continue to trigger the spray gun into the waste container until the solvent coming out of the gun is clean.



For long-term or cold weather storage, pump mineral sprits through the entire system.

For short-term storage when using latex paint, pump water mixed with Titan Liquid Shield through the entire system (see the Accessories section of this manual for part number).

14. Follow the “Pressure Relief Procedure” found in the Operation section of this manual.
15. Unplug the unit and store in a clean, dry area.



Attention

Do not store the unit under pressure.

5.3 MAINTENANCE



Refer to the Service Manual, part number 2421886 available online for all service instructions and spare parts lists.

6 TROUBLESHOOTING

PROBLEM	CAUSE	SOLUTION
A. The unit will not run.	<ol style="list-style-type: none"> 1. The unit is not plugged in. 2. Tripped breaker. 3. The pressure is set too low (pressure control knob set at minimum setting does not supply power to unit). 4. Faulty or loose wiring. 5. Excessive motor temperature. 6. ON/OFF switch is defective. 	<ol style="list-style-type: none"> 1. Plug the unit in. 2. Reset the breaker. 3. Turn the pressure control knob clockwise to supply power to the unit and increase the pressure setting. 4. Inspect or take to a Titan authorized service center. 5. Allow motor to cool. 6. Replace the ON/OFF switch.
B. The unit will not prime.	<ol style="list-style-type: none"> 1. Inlet valve is stuck. 2. The PRIME/SPRAY valve is in the SPRAY position. 3. Air leak in the siphon tube/suction set. 4. The pump filter and/or inlet screen is clogged. 5. The siphon tube/suction set is clogged. 	<ol style="list-style-type: none"> 1. Insert pusher stem. 2. Rotate the PRIME/SPRAY valve clockwise to the PRIME position. 3. Check the siphon tube/suction set connection and tighten or re-tape the connection with PTFE tape. 4. Remove the pump filter element and clean. Remove the inlet screen and clean. 5. Remove the siphon tube/suction set and clean.
C. The unit will not build or maintain pressure.	<ol style="list-style-type: none"> 1. The spray tip is worn. 2. The spray tip is too large. 3. The pressure control knob is not set properly. 4. The pump filter, gun filter, or inlet screen is clogged. 5. Material flows from the return hose when the PRIME/SPRAY valve is in the SPRAY position. 6. Air leak in the siphon tube/suction set. 7. There is external fluid leak. 8. There is an internal fluid section leak (packings are worn and/or dirty, valve balls are worn). 9. Worn valve seats 10. Motor powers but fails to rotate 	<ol style="list-style-type: none"> 1. Replace the spray tip following the instructions that came with the spray gun. 2. Replace the spray tip with a tip that has a smaller orifice following the instructions that came with the spray gun. 3. Turn the pressure control knob clockwise to increase the pressure setting. 4. Remove the pump filter element and clean. Remove the gun filter and clean. Remove the inlet screen and clean. 5. Clean or replace the PRIME/SPRAY valve. 6. Check the siphon tube/suction set connection and tighten or re-tape the connection with PTFE tape. 7. Check for external leaks at all connections. Tighten connections, if necessary. 8* Clean the valves and service the fluid section following the "Servicing the Fluid Section" procedure in the Maintenance section. 9. Reverse or replace the valve seats following the "Servicing the Fluid Section" procedure in the Maintenance section of this manual. 10. Take unit to a Titan authorized service center.
D. Fluid leakage at the upper end of the fluid section.	<ol style="list-style-type: none"> 1. The upper packing is worn. 2. The piston rod is worn. 	<ol style="list-style-type: none"> 1* Repack the pump following the "Servicing the Fluid Section" procedure in the Maintenance section. 2* Replace the piston rod following the "Servicing the Fluid Section" procedure in the Maintenance section.
E. Excessive surge at the spray gun.	<ol style="list-style-type: none"> 1. Wrong type of airless spray hose. 2. The spray tip worn or too large. 3. Excessive pressure. 	<ol style="list-style-type: none"> 1. Replace hose with a minimum of 50' of 1/4" grounded textile braid airless paint spray hose. 2. Replace the spray tip following the instructions that came with the spray gun. 3. Rotate the pressure control knob counterclockwise to decrease spray pressure.
F. Poor spray pattern.	<ol style="list-style-type: none"> 1. The spray tip is too large for the material being used. 2. Incorrect pressure setting. 3. Insufficient fluid delivery. 4. The material being sprayed is too viscous. 	<ol style="list-style-type: none"> 1. Replace the spray tip with a new or smaller spray tip following the instructions that came with the spray gun. 2. Rotate the pressure control knob to adjust the pressure for a proper spray pattern. 3. Clean all screens and filters. 4. Add solvent to the material according to the manufacturer's recommendations.
G. The unit lacks power.	<ol style="list-style-type: none"> 1. The pressure adjustment is too low. 2. Improper voltage supply. 	<ol style="list-style-type: none"> 1. Rotate the pressure control knob clockwise to increase the pressure setting. 2. Reconnect the input voltage for 120V AC.

* Refer to the Service Manual (part number 2421886, available online) for complete instructions regarding this procedure.

6.1 DIGI-TRAC™ CONTROL SYSTEM ERROR MESSAGES



The following error message screens appear whenever the Digi-Trac™ Control System detects a problem with the sprayer. Once a problem occurs and the error message appears, the sprayer will shut down.



Before proceeding, follow the Pressure Relief Procedure outlined previously in this manual. Additionally, follow all other warnings to reduce the risk of an injection injury, injury from moving parts or electric shock. Always unplug the sprayer before servicing!

CHECK TRANSDUCER SCREEN

The Check Transducer screen appears when the transducer has become disconnected or is defective. Take the sprayer to a Titan authorized service center for repair.

CHECK TRANSDUCER

CHECK POTENTIOMETER SCREEN

The Check Potentiometer screen appears when the potentiometer has become disconnected or is defective. Take the sprayer to a Titan authorized service center for repair.

CHECK POTENTIOMETER

LOW VOLTAGE SCREEN

The Low Voltage screen appears when the sprayer shuts down because of low input voltage. Check the power supply and correct the problem. Restart the sprayer by following the “Painting” procedure in the Operation section of this manual.

LOW VOLTAGE

HIGH MOTOR TEMPERATURE SCREEN

The High Motor Temperature screen appears when the temperature of the motor has risen too high. Take the sprayer to a Titan authorized service center for repair.

HIGH MOTOR TEMPERATURE

HIGH MECHANICAL LOAD

The High Mechanical Load screen appears when the sprayer shuts down because of high current or when the sprayer goes into current fold back mode. Take the sprayer to a Titan authorized service center for repair.

HIGH MECHANICAL LOAD

HIGH CONTROL TEMPERATURE

Indicates the Digi-Trac is shut down due to excessive heat. Take the sprayer to a Titan authorized service center for repair.

HIGH CONTROL TEMPERATURE

CHECK MOTOR


Indicates the motor or motor hall affect sensors are defective. Take the sprayer to a Titan authorized service center for repair.

CHECK MOTOR

BAD HALL CYCLE POWER

Indicates the motor is shut down due to connection problems between the motor and controller. Take the sprayer to a Titan authorized service center for repair.

BAD HALL CYCLE POWER

Caractéristiques	Chariot			Bas Chariot		
Nom	840	840I	840IA	840	840I	840IA
N° de modèle	805-009	2419303	2419222	805-010	2419300	2419297
Caractéristiques techniques						
Débit (GPM)	1,0 (3,75 LPM)	1,0 (3,75 LPM)	1,0 (3,75 LPM)	1,0 (3,75 LPM)	1,0 (3,75 LPM)	1,0 (3,75 LPM)
Embout, dimension max.	0,032"	0,032"	0,032"	0,032"	0,032"	0,032"
Pression max.	22,8 MPa	22,8 MPa	22,8 MPa	22,8 MPa	22,8 MPa	22,8 MPa
Poids	39,46 kg	39,59 kg	39,68 kg	38,55 kg	38,69 kg	38,78 kg
Tuyau de pulvérisation dimension max.	91,4 m	91,4 m	91,4 m	91,4 m	91,4 m	91,4 m
Source de puissance	2,3 HP moteur DC de Brushless, 100~120V AC, 50/60Hz, 15A			2,3 HP moteur DC de Brushless, 100~120V AC, 50/60Hz, 15A		
Génératrice	5000 W (désactiver la mort en fonction)			5000 W (désactiver la mort en fonction)		
Caractéristiques						
Digi-Trac™	X	X		X	X	
IntelliSync®		X	X		X	X
ActivGuard™ GPS			X			X
Chariot de EZ-Tilt™			X			
Accessoires inclus						
Pistolet	RX-Pro			RX-Pro		
Tuyau	15 m N° de pièce 316-505			15 m N° de pièce 316-505		
Filtre	60 mailles, N° de pièce 0089958			60 mailles, N° de pièce 0089958		
Modes d'emploi						
Mode d'emploi, (N° de form 0552882)	Anglais / français / espagnol Inclus avec l'appareil et disponible en ligne, www.titantool.com			Anglais / français / espagnol Inclus avec l'appareil et disponible en ligne, www.titantool.com		
Manuel d'entretien (N° de form 2421886)	Anglais / français / espagnol disponible en ligne, www.titantool.com			Anglais / français / espagnol disponible en ligne, www.titantool.com		
Mode d'emploi, RX-Pro (N° de form 0538801)	Toutes les langues Inclus avec l'appareil et disponible en ligne, www.titantool.com			Toutes les langues Inclus avec l'appareil et disponible en ligne, www.titantool.com		
Conformité						
	Se conforme à UL STD 1450. Certifié au NON 68 de CSA C 22,2 N° 68			Se conforme à UL STD 1450. Certifié au NON 68 de CSA C 22,2 N° 68		
Approbations des radiofréquences	<p>Fréquence de l'émetteur (tous les modèles) : 2,4 GHz Puissance de l'émetteur (tous les modèles) : + 8 dBm REMARQUE : Avis FCC/IC (tous les modèles) Contient l'ID FCC : RYYEYSKBN Contient IC : 4398B-EYSKBN</p> <p>L'appareil inclus est conforme à la partie 15 des règles de la FCC et aux normes CNR exemptées de licence d'Industrie Canada. Son fonctionnement est soumis aux deux conditions suivantes : 1) cet appareil ne doit pas causer d'interférences nuisibles et 2) cet appareil doit accepter toute interférence reçue, y compris les interférences pouvant entraîner un fonctionnement indésirable.</p> <p>Les changements ou modifications non expressément approuvés par la partie responsable de la conformité pourraient annuler le droit de l'utilisateur d'utiliser l'équipement.</p> <p>Cet équipement n'est pas protégé contre les interférences nuisibles et ne peut pas causer d'interférence aux systèmes dûment autorisés.</p> <p>Cet équipement est muni de la carte BGM13P22A avec le code d'homologation ANATEL 01330-19-03402.</p>					

1	PRESCRIPTIONS DE SÉCURITÉ POUR LA PROJECTION AIRLESS	18
1.1	Explication des symboles utilisés	18
1.2	Directives de mise à la terre	18
1.3	Dangers pour la sécurité	19
2	DESCRIPTION GÉNÉRALE	20
3	FONCTIONNEMENT	21
3.1	Utilisation du blocage de la détente du pistolet	21
3.2	Procédure de décompression	21
3.3	Vérifications préliminaires	21
3.4	Préparation d'un nouveau vaporisateur	22
3.5	Préparation avant de peindre	22
3.6	Peinture	23
3.7	Voyants du panneau de commandes	23
3.8	Technologie Bluetooth® IntelliSync®	24
3.9	Fonctionnement du système de commande Digi-Trac™	24-25
4	TECHNIQUE DE PULVÉRISATION	26
4.1	Nettoyage d'une buse obstruée	26
5	NETTOYAGE	27
5.1	Consignes spéciales de nettoyage lors de l'utilisation du pistolet avec des solvants inflammables	27
5.2	Nettoyage du pulvérisateur	27
5.3	Entretien	27
6	DÉPANNAGE	28
6.1	Messages d'erreur du système de commande Digi-Trac	29
	ACCESSOIRES	44/45
	GARANTIE	47



AVERTISSEMENT! AVERTISSEMENT EN FONCTION DE LA PROPOSITION 65 DE LA CALIFORNIE

Cet appareil peut vous exposer à des produits chimiques, y compris le plomb, reconnus par l'État de la Californie pour causer le cancer, des anomalies congénitales ou d'autres troubles de la reproduction.

Pour de plus amples renseignements, consultez le site Web www.P65warnings.ca.gov.

1 PRESCRIPTIONS DE SÉCURITÉ

1.1 EXPLICATION DES SYMBOLES UTILISÉS

Veillez lire et être sûr de comprendre toutes les informations contenues dans ce manuel avant d'utiliser l'appareil. Lorsque vous pénétrez dans une zone qui contient les symboles suivants, soyez particulièrement vigilant et vérifiez que les systèmes de sécurité sont bien installés.



→ Ce symbole indique un risque potentiel pouvant entraîner des blessures graves ou même mortelles. Vous trouverez ci-après d'importantes consignes de sécurité.



Attention

→ Ce symbole indique un risque potentiel pour vous ou pour l'appareil. D'importantes informations sur la manière d'éviter tout dommage de l'équipement ou d'éviter des blessures légères sont indiquées ci-après.



→ Danger de blessure par injection de produit



→ Danger d'incendie



→ Risque d'explosion



→ Vapeurs toxiques et/ou inflammables. Danger d'intoxication et de brûlure



→ Risque de choc électrique



→ Les notes contiennent des informations qui doivent être consciencieusement respectées.

1.2 DIRECTIVES DE MISE À LA TERRE

Cet appareil doit être mis à la terre. En cas de court-circuit, cette précaution réduit les risques de choc en procurant un parcours au courant électrique. Le cordon de l'appareil est doté d'un fil de terre relié à la troisième broche de sa fiche. Cette dernière doit être branchée dans une prise correctement câblée et mise à la terre conformément aux codes et règlements locaux.



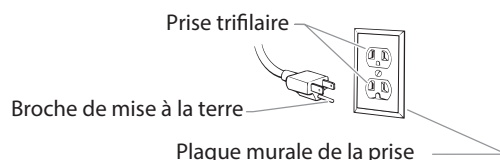
MISE EN GARDE - Le fait de ne pas brancher correctement la fiche trifilaire de l'appareil peut entraîner des risques de choc électrique.

Si on doit réparer ou remplacer le cordon ou la fiche, ne pas raccorder le fil de terre à la borne des broches plates (lames) de cette dernière. Ce fil, normalement vert (avec ou sans rayures jaunes), doit être relié à la broche de terre.

Consulter un technicien ou un électricien qualifié à défaut de comprendre l'ensemble des présentes directives ou en cas d'incertitude quant à la mise à terre de l'appareil. Ne pas modifier la

fiche de l'appareil; si elle ne s'adapte pas dans la prise voulue, la faire remplacer par un électricien qualifié.

Conçu pour les circuits de 120 V, cet appareil est doté d'une fiche ressemblant à celle illustrée ci-dessous. S'assurer que le produit est connecté à une prise électrique ayant la même configuration que la fiche mâle. Ne pas utiliser d'adaptateur avec ce produit.



1.3 DANGERS POUR LA SÉCURITÉ



RISQUE : BLESSURE PAR PROJECTION

Un courant de liquide à haute pression produit par cet équipement peut percer la peau et les tissus sous-cutanés, et entraîner des blessures graves ou une amputation.

Ne traitez pas une blessure par injection comme simple coupure. En cas de blessure de la peau par l'injection de peintures ou de solvants, consultez sans retard un médecin. Renseignez le médecin sur la nature de la peinture ou du solvant utilisés.

PRÉVENTION :

- Ne dirigez pas le pistolet sur et ne pulvérisez pas les personnes ou les animaux.
- N'approchez pas les mains ni d'autres parties du corps de la sortie du produit. Par exemple, ne tentez pas d'arrêter une fuite avec une partie du corps.
- NE JAMAIS mettre la main, même gantée, devant le pistolet (les gants n'offrent aucune protection contre les blessures par injection).
- TOUJOURS s'assurer que le protège-embout est en place avant de pulvériser. Il est cependant à noter que, s'il assure une certaine protection, ce dispositif joue surtout un rôle préventif.
- Utilisez exclusivement un embout de buse spécifié par le fabricant.
- Prenez garde quand vous nettoyez ou que vous changez les embouts de buse. Si l'embout se bouche pendant que vous pulvérisez, verrouillez TOUJOURS la détente du pistolet, arrêtez la pompe et libérez toute la pression avant de réparer ou de nettoyer l'embout ou le protecteur ou avant de changer d'embout. La pression n'est pas libérée par l'arrêt du moteur. La poignée du robinet-valve PRIME/SPRAY doit être placée sur PRIME pour libérer la pression. Consultez la PROCÉDURE DE DÉCOMPRESSION décrite dans le manuel de la pompe.
- Ne laissez pas l'appareil sous tension ou sous pression quand vous vous en éloignez. Quand vous n'utilisez pas l'appareil, éteignez-le et libérez la pression conformément aux instructions du fabricant.
- La pulvérisation à haute pression peut injecter des toxines dans le corps et causer de graves blessures corporelles. Si une telle injection se produisait, consultez immédiatement un médecin.
- Vérifiez les tuyaux et les pièces pour détecter des signes d'endommagement : une fuite peut injecter le produit dans la peau. Inspectez le tuyau avant chaque emploi. Changez tous les tuyaux ou pièces endommagés. Pour des raisons de fonctionnement, de sécurité et de durée de vie, utiliser exclusivement des tuyaux flexibles à haute pression d'origine de TITAN.

- Ce système peut produire une pression de 3 300 PSI / 22,8 MPa. N'utilisez que les pièces de rechange ou les accessoires spécifiés par le fabricant et ayant une pression nominale minimum de 3 300 PSI. Ceci est valable pour les embouts de pulvérisation, les protecteurs de buse, les pistolets, les rallonges, les raccords et le tuyau.
- Verrouillez toujours la détente quand vous ne pulvérisez pas. Vérifiez que le verrou de la détente fonctionne correctement.
- Vérifiez que toutes les connexions sont bien serrées avant d'utiliser l'appareil.
- Sachez comment arrêter l'appareil et le dépressuriser rapidement. Soyez bien familiarisé avec les commandes. La pression n'est pas libérée lorsque le moteur est arrêté. La poignée du robinet-valve PRIME/SPRAY doit être placée sur PRIME pour libérer la pression. Consultez la PROCÉDURE DE DÉCOMPRESSION décrite dans le manuel de la pompe.
- Retirez toujours l'embout de pulvérisation avant de rincer ou de nettoyer le système.



REMARQUE À L'INTENTION DES MÉDECINS :

Les injections cutanées sont des lésions traumatiques; il importe donc de les traiter sans délai. On NE DOIT PAS retarder ce traitement sous prétexte de vérifier la toxicité du produit en cause, celle-ci n'étant conséquente que dans le cas d'injection directe de certains produits dans le système sanguin. Il pourrait s'avérer nécessaire de consulter un plasticien ou un spécialiste en chirurgie reconstructive de la main.



RISQUE : FLEXIBLE À HAUTE PRESSION

Le tuyau de peinture peut présenter des fuites dues à l'usure, aux pincements et aux mauvaises utilisations. Toute fuite peut entraîner une projection de matériau dans la peau. Vérifiez soigneusement le tuyau avant chaque utilisation.

PRÉVENTION :

- Il faut éviter de trop plier le flexible; le plus petit rayon ne doit pas être inférieur à 20 cm.
- Protéger le flexible contre le passage de véhicules et éviter le frottement sur des arêtes vives.
- Remplacer immédiatement tout tuyau à haute pression endommagé.
- Ne jamais essayer de réparer un flexible endommagé!
- La charge électrostatique du pistolet et du flexible est évacuée par ce dernier. Pour cette raison, la résistance électrique entre les raccords du flexible doit être égale ou inférieure à 1 mégohm.
- Pour des raisons de fonctionnement, de sécurité et de durée utile utiliser exclusivement des flexibles à haute pression originaux de Titan.
- Avant chaque utilisation, vérifiez que les tuyaux ne présentent ni coupures, ni fuites, ni signes d'abrasion ou de renflement du revêtement. Vérifiez l'état et le mouvement des raccords. Remplacez immédiatement les tuyaux s'ils sont en mauvais état. Ne réparez jamais un tuyau de peinture. Remplacez-le par un tuyau à haute-pression relié à la masse.
- Assurez vous que le tuyau à air et les tuyaux de pulvérisation sont disposés de façon à éviter les risques de glissade, de trébuchement ou de chute.



RISQUE : EXPLOSION ET INCENDIE

Les vapeurs inflammables, telles que les vapeurs de solvant et de peinture, dans une zone de travail peuvent s'enflammer ou exploser.

PRÉVENTION :

- Ne pulvérisez pas de matières inflammables ou combustibles près d'une flamme nue, de voyants lumineux ou de sources d'ignition telles que des objets chauds, cigarettes, moteurs, matériel et appareils électriques. Évitez de produire des étincelles en connectant et en déconnectant les cordons électriques.
- S'entourer de toutes les précautions possibles lorsqu'on utilise des produits ayant un point d'éclair inférieur à 38°C (100°F). Le point d'éclair est la température à laquelle le liquide peut créer suffisamment de vapeurs et s'enflammer.
- L'écoulement de peinture ou de solvant dans l'équipement peut produire de l'électricité statique. L'électricité statique crée un risque d'incendie ou d'explosion en présence de fumées de peinture ou de solvant. Toutes les pièces du système du pulvérisateur, y compris la pompe, l'ensemble du tuyau, le pistolet de pulvérisation et les objets dans et autour de la zone de pulvérisation doivent être correctement reliés à la terre pour protéger contre les décharges d'électricité statique et les étincelles. N'utilisez que des tuyaux conducteurs ou reliés à la terre pour pulvérisateurs de peinture sous vide à haute pression, spécifiés par le fabricant.
- Vérifiez que tous les conteneurs ou systèmes de stockage sont reliés à la terre pour éviter les décharges d'électricité statique.
- N'utilisez pas de peinture ou de solvant contenant du halon, par exemple, le chlore, les agents antimoississure à l'eau de Javel, le chlorure de méthylène et le trichloroéthane. Ils ne sont pas compatibles avec l'aluminium. Contactez le fournisseur de revêtements pour connaître la compatibilité du matériau avec l'aluminium.
- La zone de pulvérisation doit toujours être bien aérée. Une bonne quantité d'air frais doit constamment traverser la zone de pulvérisation pour éviter les accumulations de vapeurs inflammables. Le système de pompage doit être placé dans une zone bien aérée. Ne pulvérisez pas le système de pompage.
- Ne fumez pas dans la zone de pulvérisation.
- N'actionnez pas d'interrupteurs électriques, de moteurs ou autres dispositifs produisant des étincelles dans la zone de pulvérisation.
- Maintenez la propreté de la zone et veillez à ce qu'elle ne contienne pas de conteneurs de peinture ou de solvant, de chiffons et autres matières inflammables.
- Sachez ce que contiennent la peinture et les solvants pulvérisés. Lisez les fiches de sécurité du matériel (SDS) et les étiquettes apposées sur les conteneurs de peintures et de solvants. Respectez les consignes de sécurité du fabricant de peinture et de solvant.
- Placez la pompe à une distance minimum de 6,1 mètres (20 pieds) de l'objet à pulvériser, dans une zone bien aérée (ajoutez de la longueur de tuyau si besoin est). Les vapeurs inflammables sont souvent plus lourdes que l'air. La zone près du sol doit être très bien aérée. La pompe contient des pièces qui produisent des arcs et émettent des étincelles pouvant enflammer les vapeurs.
- Le plastique peut causer des étincelles d'électricité statique. N'accrochez aucun plastique dans une zone de pulvérisation fermée. N'utilisez pas de toiles de protection en plastique quand vous pulvérisez une matière inflammable.

- Ayez un extincteur en bon état de fonctionnement à portée de main.



RISQUE : VAPEURS DANGEREUSES

Les peintures, solvants, et autres matériaux peuvent être nocifs en cas d'inhalation ou de contact avec la peau. Les vapeurs peuvent entraîner de sérieuses nausées, des syncopes ou des empoisonnements.

PRÉVENTION :

- Pendant le travail de protection porter un masque respiratoire. Lisez attentivement toutes les instructions fournies avec le masque pour vous assurer qu'il fournit bien la protection nécessaire.
- Tous les règlements locaux en matière de protection contre les vapeurs toxiques doivent être respectés.
- Portez des protections oculaires.
- Pour protéger la peau il est nécessaire de porter des vêtements de protection, des gants et d'utiliser éventuellement une crème de protection de la peau. Observer les prescriptions des fabricants au sujet des produits de peinture, de nettoyage et des solvants pendant la préparation, la mise en oeuvre et le nettoyage du matériel.



RISQUE : GÉNÉRALITÉS

peut entraîner des blessures sévères ou des dégâts matériels.

PRÉVENTION :

- Portez toujours les gants, la protection oculaire, les vêtements et un respirateur ou masque appropriés quand vous peignez.
- Ne travaillez pas et ne pulvérisez pas près d'enfants. Éloignez toujours les enfants de l'équipement.
- Ne travaillez pas avec les bras au-dessus de la tête ni sur un support instable. Appuyez-vous bien sur les deux pieds pour toujours conserver l'équilibre.
- Soyez attentif et regardez ce que vous faites.
- N'utilisez pas l'appareil quand vous êtes fatigué ou sous l'influence de drogues ou d'alcool.
- Ne faites pas de nœuds avec le tuyau et ne le tordez pas trop. Le tuyau à vide peut présenter des fuites suite à l'usure, les nœuds ou les mauvais traitements. Une fuite risque d'injecter du produit dans la peau.
- N'exposez pas le tuyau à des températures ou des pressions supérieures à celles spécifiées par le fabricant.
- N'utilisez pas le tuyau pour tirer ou soulever l'équipement.
- Utilisez la plus basse pression possible pour rincer l'équipement.
- Respectez tous les codes locaux, étatiques et nationaux qui régulent la ventilation, la prévention d'incendies et le fonctionnement.
- Les normes de sécurité du gouvernement des États-Unis ont été adoptées dans la loi Occupational safety and Health Act (OSHA). Ces normes, en particulier la partie 1910 des Normes générales et la partie 1926 des Normes de construction, doivent être consultées.
- Avant chaque emploi, vérifiez tous les tuyaux pour détecter d'éventuelles coupures, fuites, abrasion ou couvercle bombé. Vérifiez l'état ou le mouvement des accouplements. Changez immédiatement le tuyau si l'une de ces conditions est vérifiée. Ne

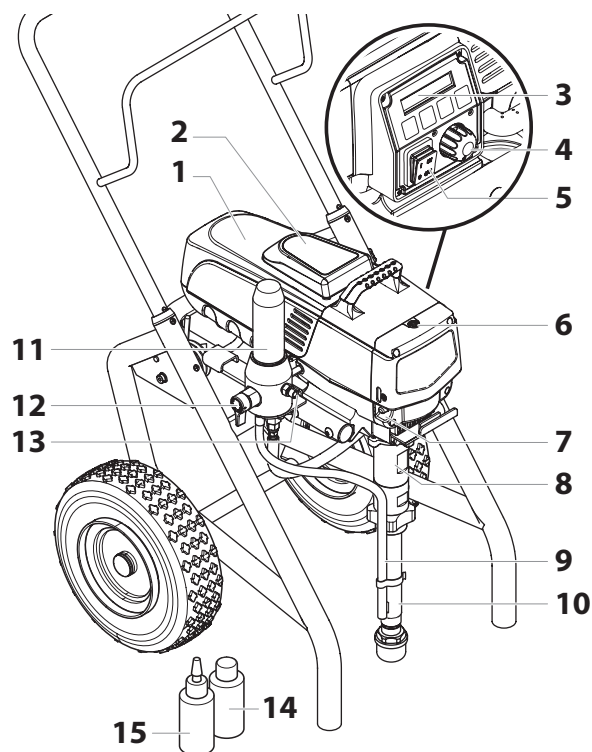
réparez jamais un tuyau de peinture. Remplacez-le par un tuyau conducteur à haute pression.

- Ne pulvérisez pas à l'extérieur par temps venteux.
- Débranchez toujours le cordon électrique de la prise avant de travailler sur l'équipement.

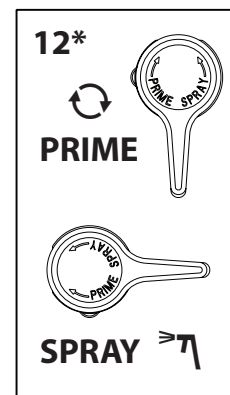
2 DESCRIPTION GÉNÉRALE



Ce vaporisateur à dépression est un outil électrique de précision servant à atomiser divers types de matériaux. On doit lire et suivre attentivement les directives apparaissant dans ce manuel pour savoir comment l'utiliser et le maintenir en bon ordre, et ce, en toute sécurité.



1. Moteur
2. IntelliSync®/Bluetooth® (Si équipé)
3. Digi-Trac™ Control System (Si équipé)
4. Bouton de régulation de pression
5. Commutateur ON/OFF
6. Bouchon de graisseur
7. Bouton de graisseur
8. Section des liquides
9. Tube de retour
10. Flexible d'aspiration
11. Ensemble de filtre
12. Soupape PRIME/SPRAY
13. Raccord de flexible
14. Liquid Shield™ (118 ml)
15. Piston Lube™ (118 ml)



3 FONCTIONNEMENT

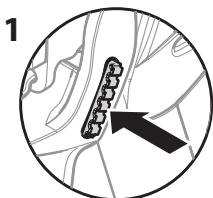


Cet appareil produit un jet à très haute pression; avant de le faire fonctionner, il est donc essentiel de lire et de comprendre les avertissements formulés dans la section Consignes de sécurité à l'avant de ce manuel.

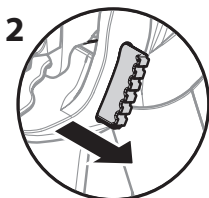
3.1 UTILISATION DU BLOCAGE DE LA DÉTENTE DU PISTOLET

Engagez toujours le blocage de la détente du pistolet lorsque le pistolet n'est pas utilisé.

1. Pour verrouiller la détente, appuyez sur le verrou de la détente de **gauche à droite**, en regardant l'arrière du pistolet.
2. Pour déverrouiller la détente, appuyez sur le verrou de la détente de **droite à gauche**, en regardant l'arrière du pistolet.



Détente bloquée (le pistolet ne pulvérise pas)



Détente débloquée (le pistolet pulvérise)

3.2 PROCÉDURE DE DÉCOMPRESSION



On doit effectuer la procédure de décompression chaque fois qu'on arrête l'appareil pour en faire la maintenance, en changer les réglages de vaporisation, en remplacer/ nettoyer les embouts ou en effectuer la préparation en vue d'un nettoyage.

1. Verrouiller le pistolet en mettant le verrou de détente à la position appropriée.
2. Arrêter l'appareil en mettant le commutateur à la position OFF.
3. Tourner le bouton de régulation de la pression vers la gauche, jusqu'à la position OFF, dans la zone noire.
4. Déverrouiller le pistolet en mettant le verrou de détente à la position appropriée.

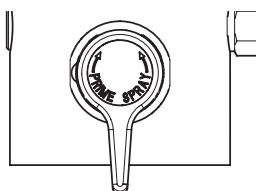
5. Tenir fermement la partie métallique du pistolet contre le bord d'un contenant métallique afin d'éviter une accumulation d'électricité statique.



6. Appuyer sur la détente du pistolet afin de purger tout l'air restant dans le flexible.

7. Verrouiller le pistolet en mettant le verrou de détente à la position appropriée.

8. Abaisser la soupape PRIME/SPRAY à la position PRIME.



3.3 VÉRIFICATIONS PRÉLIMINAIRES

On doit procéder aux étapes suivantes avant de brancher le cordon d'alimentation de l'appareil.

1. S'assurer que le flexible et le bloc d'aspiration soient solidement fixés.
2. Fixer un flexible de vaporisation à tresse de Nylon, conçu pour les appareils à dépression, et mesurant au moins 15 mètres (50 pi).
3. Fixer un pistolet à dépression au flexible de vaporisation; ne pas fixer l'embout au pistolet tout de suite (le retirer s'il est déjà fixé).



Ne pas encore fixer l'embout sur le pistolet de vaporisation. Démonter l'embout s'il est déjà fixé.



Assurez-vous que tous les tuyaux et pistolets-pulvérisateurs sans air comprimé sont mis à la terre et que leur pression de régime nominale atteint ou dépasse la plage maximale du pulvérisateur sans air comprimé.

4. S'assurer que le bouton de régulation de pression soit à la position OFF (zone noire).
5. S'assurer que le commutateur soit à la position OFF.
6. Enlevez le bouchon de graisseur à l'aide d'un tournevis à tête plate. Remplir le réservoir avec une once de piston sceau lubrifiant (Piston Lube). Remplacer le bouchon de graisseur.
7. Poussez 2-5 fois sur le bouton pour préparer le graisseur. Pouvez une fois pour toutes les huit heures d'utilisation pour lubrifier le section de liquides.



Attention

Ne jamais faire fonctionner l'appareil sans liquide pendant plus de 10 secondes, ce qui pourrait user inutilement les tampons graisseurs.

8. S'assurer que l'alimentation électrique soit d'au moins 15 A à 120 V.
9. Brancher le cordon d'alimentation dans une prise adéquatement mise à la terre située à une distance d'au moins 7,5 m (25 pi) de la surface à vaporiser.



Attention

Les rallonges utilisées doivent être trifilaires, de calibre 12 et dotées d'une fiche à broche de MALT; on ne doit jamais retirer cette troisième broche ou utiliser un adaptateur.

Après mettant le commutateur à la position OFF, attendre 30 secondes pour permettre le pouvoir de drainer les condensateurs.

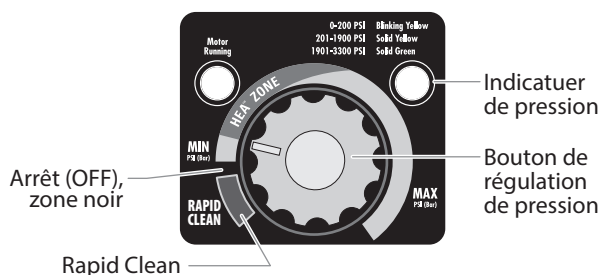
3.4 PRÉPARATION D'UN NOUVEAU VAPORISATEUR

Si cet appareil est neuf, il contient encore un liquide d'essai mis en usine pour le protéger de la corrosion en cours d'expédition ou d'entreposage. Ce liquide doit être complètement éliminé au moyen d'essence minérale avant que l'appareil puisse être utilisé.



La détente du pistolet doit toujours être verrouillée lorsqu'on procède à ces vérifications préliminaires.

1. Mettre le flexible d'aspiration dans un contenant d'essence minérale.
2. Mettre le flexible de retour dans un contenant de purge métallique.
3. Régler la pression au minimum en mettant le bouton de régulation à la position "MIN".



4. Abaisser la soupape PRIME/SPRAY à la position PRIME.
5. Mettre l'appareil en marche en mettant le commutateur à la position ON.
6. Laisser le vaporisateur fonctionner pendant 15 à 30 secondes pour évacuer le liquide d'essai par le flexible de retour, jusqu'au contenant de purge.
7. Arrêter l'appareil en mettant le commutateur à la position OFF.

3.5 PRÉPARATION AVANT DE PEINDRE

Avant de peindre, il est important de s'assurer que le liquide dans l'appareil est compatible avec le produit à utiliser.



L'incompatibilité liquide/produit peut provoquer le blocage des soupapes, ce qui entraînerait le besoin de démonter et de nettoyer la section des liquides du vaporisateur.



La détente du pistolet doit toujours être verrouillée lorsqu'on procède à ces vérifications préliminaires.

1. Mettre le flexible d'aspiration dans un contenant de solvant approprié (de l'eau dans le cas de peintures au latex, de l'essence minérale dans le cas de peintures à l'huile, etc.).

2. Mettre le flexible de retour dans un contenant de purge métallique.
3. Régler la pression au minimum en mettant le bouton de régulation à la position "MIN".
4. Abaisser la soupape PRIME/SPRAY à la position PRIME.



Tenez le tube de retour dans le conteneur de déchets en faisant passer le PRIME / SPRAY soupape de PRIME dans le cas où le pulvérisateur est sous pression.

5. Mettre l'appareil en marche en mettant le commutateur à la position ON.
6. Laisser le vaporisateur fonctionner pendant 15 à 30 secondes pour évacuer le solvant usé par le flexible de retour, jusqu'au contenant de purge.
7. Arrêter l'appareil en mettant le commutateur à la position OFF.



S'assurer que l'embout ou le protège-embout ne soient pas installés.

8. Soulever la soupape prime/spray à la position SPRAY.
9. Mettre l'appareil en marche.
10. Déverrouiller le pistolet en mettant le verrou de détente à la position appropriée.



On doit mettre le pistolet à la terre en le tenant contre le bord du contenant de purge métallique pendant qu'il se vide afin d'éviter les risques de décharges électrostatiques, lesquelles peuvent provoquer un incendie.

11. Appuyer sur la détente en visant le contenant métallique pour purger le solvant usé du pistolet, jusqu'à ce que du solvant frais en ressorte.
12. Verrouiller le pistolet en mettant le verrou de détente à la position appropriée.
13. Déposer le pistolet et augmenter la pression en tournant lentement le bouton de régulation vers la droite.
14. Inspecter tous les composants afin d'y détecter des fuites potentielles. Le cas échéant, suivre les directives de la section Procédure de décompression du présent manuel avant de fixer les flexibles et de serrer les raccords.
15. Procéder aux étapes de la section Procédure de décompression du présent manuel avant de passer du solvant au produit de peinture.



On doit effectuer la procédure de décompression chaque fois qu'on arrête l'appareil pour en faire la maintenance, en changer les réglages de vaporisation, en remplacer/ nettoyer les embouts ou en effectuer la préparation en vue d'un nettoyage.

3.6 PEINTURE

1. Mettre le flexible d'aspiration dans un contenant de produit de peinture.
2. Mettre le flexible de retour dans un contenant de purge métallique.
3. Régler la pression au minimum en mettant le bouton de régulation à la position "MIN".
4. Abaisser la soupape PRIME/SPRAY à la position PRIME.
5. Mettre l'appareil en marche en mettant le commutateur à la position ON.
6. Laisser le vaporisateur fonctionner jusqu'à ce que le produit commence à s'écouler par le flexible de retour dans le contenant de purge.
7. Arrêter l'appareil en mettant le commutateur à la position OFF.
8. Retirer le flexible de retour du contenant de purge et le mettre à sa position normale, au-dessus du contenant de produit de peinture.
9. Soulever la soupape PRIME/SPRAY à la position SPRAY.
10. Mettre l'appareil en marche.
11. Déverrouiller le pistolet en mettant le verrou de détente à la position appropriée.



On doit mettre le pistolet à la terre en le tenant contre le bord du contenant de purge métallique pendant qu'il se vide afin d'éviter les risques de décharges électrostatiques, lesquelles peuvent provoquer un incendie.

12. Appuyer sur la détente en visant le contenant métallique pour purger le solvant et l'air du flexible de vaporisation, jusqu'à ce que le produit de peinture s'écoule librement du pistolet.
13. Verrouiller le pistolet en mettant le verrou de détente à la position appropriée.
14. Arrêter l'appareil.
15. Fixer l'embout et le protège-embout au pistolet, conformément aux directives accompagnant ces derniers.



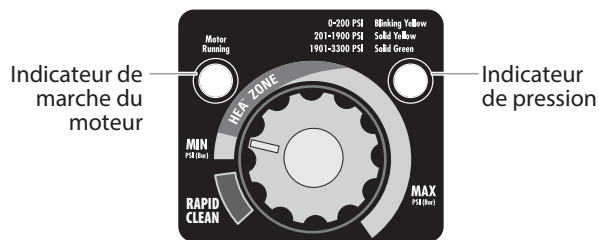
RISQUES D'INJECTION. Ne pas vaporiser sans avoir installé le protège-embout. Ne jamais appuyer sur la détente sans avoir mis l'embout en position de vaporisation ou de désobstruction. Toujours enclencher le verrou de détente avant de retirer, de remplacer ou de nettoyer l'embout.

16. Mettre l'appareil en marche.
17. Augmenter la pression en tournant lentement le bouton de régulation vers la droite, jusqu'à la zone verte, puis effectuer un essais sur un morceau de carton en examinant le jet résultant. Régler la pression de manière à ce que le produit soit parfaitement atomisé.



Si la pression est trop élevée, l'embout subira une usure prématurée et produira des éclaboussures de surpulvérisation.

3.7 INDICATEURS DE PANNEAU DE CONTRÔLE



VOYANT DE FONCTIONNEMENT DU MOTEUR

Le voyant de fonctionnement du moteur s'allume quand le moteur est mis en marche. Ce voyant est utilisé par les centres de réparation pour dépanner les moteurs défectueux.

VOYANT DE PRESSION

Le voyant de pression montre la pression du pulvérisateur en cours de fonctionnement. Il peut donner trois indications différentes : jaune clignotant, jaune fixe et vert fixe.

Jaune clignotant

Quand le voyant de pression est jaune clignotant, le pulvérisateur travaille à une pression comprise entre 0 et 200 PSI (14 bar). Un voyant de pression jaune clignotant signifie :

- le pulvérisateur est branché et allumé ;
- le pulvérisateur est à la pression d'amorçage (peu ou pas de pression) ;
- la position du robinet PRIME/SPRAY peut être changée en toute sécurité ;
- l'embout de pulvérisation peut être changé en toute sécurité.



Si le voyant de pression commence à clignoter en jaune quand le bouton de commande de pression est réglé sur une pression plus élevée et que le robinet prime/spray est sur la position spray, c'est que l'embout de pulvérisation est usé ou que le pulvérisateur doit être entretenu/réparé.

Jaune Fixe

Lorsque l'indicateur de pression est jaune fixe, l'appareil fonctionne à une pression comprise entre 200 et 1800 PSI. Un indicateur de pression jaune fixe signifie :

- Que l'appareil est à la bonne pression pour vaporiser de la teinture, de la laque, du vernis et des peintures multicolores.
- Si l'indicateur de pression passe au jaune fixe lorsque la pression est réglée pour démarrer en vert fixe, cela signifie l'un des points suivants :
 - a. **Indicateur d'Usure d'Embout** – lors de la vaporisation avec du latex ou à haute pression, le jaune fixe apparaît. Ceci signifie que l'embout est usé et doit être remplacé.
 - b. **Embout Trop Grand** – lorsqu'un embout est trop grand pour l'appareil est installé sur le pistolet, l'indicateur de pression passe de vert fixe à jaune fixe.
 - c. **Usure de la Section des Fluides** – si un indicateur de pression jaune fixe apparaît lorsqu'on utilise un nouvel embout et que la pression est réglée au maximum, il est peut être nécessaire de réparer l'appareil (tampons graisseurs usés, piston usé, soupape collée, etc).

Vert Fixe

Lorsque l'indicateur de pression est vert fixe, l'appareil fonctionne à une pression comprise entre :

- L'appareil est réglé sur la bonne pression pour vaporiser des peintures d'intérieur à l'huile ou au latex.
- L'appareil fonctionne à plein régime avec une pression élevée.

3.8 TECHNOLOGIE BLUETOOTH® INTELLISYNC® (LE CAS ÉCHÉANT)

Les modèles Impact 840I et 840IA sont équipés des fonctionnalités IntelliSync®. L'application MyTitan™ peut être téléchargée depuis Google play, l'App Store d'Apple ou d'autres sources d'applications pour se connecter au pulvérisateur au moyen de Bluetooth.

L'innovation répond à l'aspect pratique avec le compte propriétaire MyTitan™ et l'application intelligente, dotés d'une technologie révolutionnaire qui vous permet de contrôler entièrement votre entreprise. Doté de fonctionnalités utiles et qui vous permet de contrôler votre pompe, de suivre vos travaux, de configurer le rappel de service, de gérer votre parc de pulvérisateurs ainsi que l'indicateur d'usure des embouts TipAware™ exclusif à l'industrie et ActivGuard™ (sur des modèles spécifiques), l'application MyTitan™ vous fait gagner du temps, augmente la productivité et vous permettra de gérer chaque projet plus efficacement.

L'application MyTitan™ peut être utilisée avec tous les pulvérisateurs sans air comprimé, bien que la connectivité soit limitée aux pompes Titan équipées de la technologie Bluetooth®.

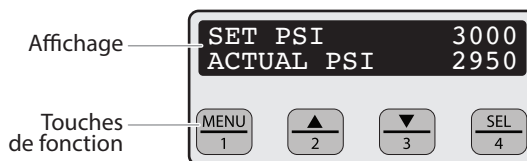
Pour en savoir plus sur le compte d'utilisateur et l'application MyTitan™, consultez le site www.titantool.com.



3.9 FONCTIONNEMENT DU SYSTÈME DE COMMANDE DIGI-TRAC™ (SI ÉQUIPÉ)



Le système de commande Digi-Trac est une option qui augmente la fonctionnalité du pulvérisateur. Il est installé directement sous le bouton de régulation de la pression du panneau de commande et il est constitué d'un écran et de quatre touches de fonction. L'affichage montre les différents écrans de menu, ce qui permet à l'utilisateur de personnaliser et de surveiller le fonctionnement du pulvérisateur à l'aide des touches de fonction.



Le bouton de réglage de pression a la priorité sur les réglages du système numérique Digi-Trac. À chaque fois qu'on tourne le bouton de réglage de pression, la pression du pulvérisateur change.

TOUCHES DE FONCTION

Les touches de fonction sont numérotées de 1 à 4. Chaque touche porte également l'étiquette d'une fonction supplémentaire.

Touche 1/ Menu	En appuyant sur la touche 1, les fenêtres de menus disponibles défilent ou bien la fonction décrite dans la fenêtre active du menu est effectuée.
Touche 2/▲	En appuyant sur la touche 2, la fonction décrite dans la fenêtre active du menu est effectuée ou bien on augmente une valeur.
Touche 3/▼	En appuyant sur la touche 3, la fonction décrite dans la fenêtre active du menu est effectuée ou bien on diminue une valeur.
Touche 4/ Select	En appuyant sur la touche 4, on sélectionne la fenêtre active du menu ou on effectue la fonction décrite dans la fenêtre active du menu.

ÉCRANS DE MENU

De nombreux écrans de menu sont disponibles pour permettre à l'utilisateur de personnaliser et de surveiller le fonctionnement du pulvérisateur. Ce sont : l'écran principal, l'écran des gallons pompés, l'écran des volumes nécessaires au travail, l'écran du numéro de série de l'appareil, l'écran des indicateurs de durée, l'écran des indicateurs de durée du travail, l'écran de la durée d'utilisation, l'écran de pression, l'écran du code de sécurité, l'écran d'amorçage et l'écran de nettoyage rapide.

ÉCRAN PRINCIPAL

L'écran principal est l'écran par défaut du système de commande qui apparaît au démarrage du pulvérisateur.



Appuyer sur la touche no 2 pour basculer entre les unités PSI, Bar et MPa. Appuyer sur la touche no 1 pour faire dérouler les écrans de menu disponibles.

ÉCRAN « VOLUME POMPÉS » (VOLUME PUMPED)

L'écran « Volume pompés » affiche la quantité totale des gallons ou des litres pulvérisés par le pulvérisateur.

VOLUME POMPE
MENU-1 SELECT-4

Pour sélectionner l'écran « Volume pompé », appuyer sur la touche no 4.

GALLONS XXXXXX
MENU-1 LITRES-2

ÉCRAN « VOLUME NÉCESSAIRES AU TRAVAIL » (JOB VOLUME)

L'écran « Volume nécessaires au travail » permet à l'utilisateur de remettre à l'état initial le compteur de gallons, afin de connaître la quantité nécessaire à un travail précis.

VOLUME TRAVAIL
MENU-1 SELECT-4

Pour sélectionner l'écran « Volume nécessaire au travail », appuyer sur la touche no 4.

GALLONS X
MENU-1 REINI-3

ÉCRAN « NO DE SÉRIE DE L'APPAREIL » (UNIT SERIAL #)

L'écran « No de série de l'appareil » affiche le numéro de série du pulvérisateur.

No SERIE UNITE
MENU-1 SELECT-4

Pour sélectionner l'écran « No de série de l'appareil », appuyer sur la touche no 4.

SER XXXXXXXXXXXX
MENU-1

ÉCRAN « INDICATEURS DE DURÉE » (TIMERS)

L'écran « Indicateurs de durée » affiche la durée totale depuis la mise sous tension du pulvérisateur ainsi que la durée totale d'utilisation du pulvérisateur (pompage).

COMPTEURS
MENU-1 SELECT-4

Pour sélectionner l'écran « Indicateurs de durée », appuyer sur la touche no 4.

A HEURE XXXX
TPS EXE XXXX

ÉCRAN « INDICATEURS DE DURÉE DU TRAVAIL » (JOB TIMERS)

L'écran « Indicateurs de durée du travail » permet à l'utilisateur de remettre à l'état initial l'indicateur « Durée de mise sous tension » et l'indicateur « Durée d'utilisation », afin de connaître la durée d'un travail précis.

COMPTEURS TRAV
MENU-1 SELECT-4

Pour sélectionner l'écran « Indicateurs de durée du travail », appuyer sur la touche no 4. L'écran « JOB ON » sera affiché. Appuyer sur la touche no 3 afin de réinitialiser.

A HEURE X
MENU-1 REINI-3

Appuyer sur la touche no 1 afin de passer à l'écran « JOB RUN ». Appuyer sur la touche no 3 afin de réinitialiser. Appuyer sur la touche 1 afin de faire défiler les écrans restants.

TPS EXE X
MENU-1 REINI-3

ÉCRAN « DURÉE D'UTILISATION » (SERVICE TIME)

L'écran « Durée d'utilisation » permet à l'utilisateur de régler l'intervalle entre les périodes d'entretien (en heures).

TEMPS DE SERVICE
MENU-1 SELECT-4

Sous le Chronomètre d'entretien figure à l'écran le nombre d'heures du pulvérisateur depuis la dernière activation du chronomètre d'entretien. Pour sélectionner l'écran Chronomètre d'entretien, appuyez sur la touche no 4.

Pour régler l'heure d'entretien, appuyez sur les touches no 2 (ascendante) et/ou no 3 (descendante) jusqu'à l'heure souhaitée (les heures d'exécution augmenteront/diminueront de 25 échelon chaque fois que vous appuierez sur l'une des touches).

SERVICE @ XX
H TRAVAIL XX

Lorsque le pulvérisateur atteint la SERVICE@ sélectionnée, l'écran affichera « SERVICE DUE » (entretien requis). Afin de réinitialiser la durée, appuyer sur la touche no 3 lorsque la pompe est allumée. Cela réinitialisera le message « SERVICE DUE » et réinitialisera également la « SERVICE TIME » au paramètre précédent.

ÉCRAN « CODE DE SÉCURITÉ » (SECURITY CODE)

L'écran « Code de sécurité » permet à l'utilisateur de programmer un code de sécurité à quatre chiffres, afin d'éviter l'utilisation non autorisée du pulvérisateur. Si un code de sécurité a été programmé, l'écran du système de commande demandera un code au démarrage de l'appareil. Si le bon code est saisi, l'écran affichera l'écran principal et le pulvérisateur fonctionnera. Si un mauvais code est saisi, l'écran demandera de saisir le bon code et le pulvérisateur ne fonctionnera pas. Pour programmer ou changer le code de sécurité, appuyer sur la touche no 2.

CODE SECURITE
MENU-1 CHANGE-2



Si le pulvérisateur est neuf, aucun code de sécurité n'est programmé et l'écran principal s'affiche au démarrage de l'appareil. Lorsque vous réglerez un code de sécurité pour la première fois, l'écran « Entrez l'ancien numéro de code » ("Enter Old Code Number") apparaîtra, et vous devrez entrer « 1111 ».

Saisir l'ancien code de sécurité pour atteindre l'écran permettant le changement du code. Si le mauvais code est saisi, l'écran demande de saisir le bon code, et le code de sécurité ne peut pas être changé.

SAISIR ANCIEN
NUMERO CODE

Saisir le nouveau code de sécurité. Une fois que le code est saisi, l'écran demande automatiquement de ressaisir le nouveau code pour vérification. Si le nouveau code est ressaisi correctement, l'écran confirme que le nouveau code a été enregistré et retourne à l'écran principal. Si le nouveau code n'est pas ressaisi correctement, l'écran retourne à l'écran « Saisir le nouveau code » et le processus est à recommencer.

SAISIR NOUVEAU
NUMERO CODE XXXX

RE-SAISIR NOUVEAU
NUMERO CODE XXXX

NOUVEAU CODE
ACCEPTÉ

Si vous oubliez ou égarez votre code de sécurité, vous pouvez appeler le Service à la clientèle de Titan pour qu'il vous aide.



Pour désactiver la fonction de sécurité de verrouillage numérique antivol, saisir « 1111 » à l'écran « Saisir le nouveau code » (c'est le code par défaut permettant de laisser le pulvérisateur non verrouillé). Ainsi, ce sera l'écran principal qui s'affichera au démarrage du pulvérisateur.

ÉCRAN « RECYCLAGE » (PRIME)

L'écran « Recyclage » apparaît lorsque le bouton de régulation de la pression est programmé au minimum « MIN ».

RECYCLAGE

ÉCRAN « NETTOYAGE RAPIDE » (RAPID CLEAN)

L'écran « Nettoyage rapide » apparaît lorsque le bouton de régulation de la pression est réglé à la position RAPID CLEAN et que la soupape PRIME/SPRAY est à la position PRIME.

NETTOYAGE



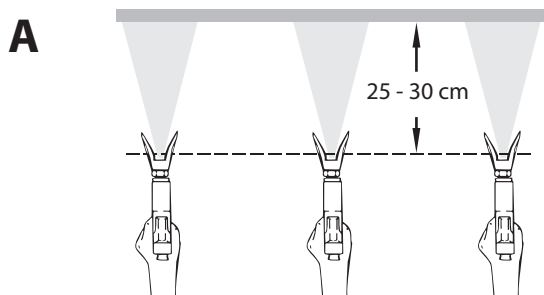
Si rien n'est effectué sur aucun des écrans de menu pendant plus de 30 secondes, l'écran retourne à l'écran principal.

4 TECHNIQUE DE PULVÉRISATION



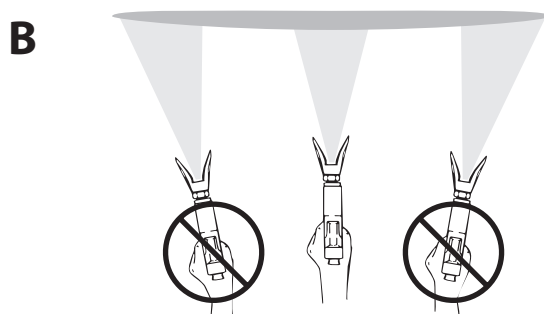
RISQUE D'INJECTION. Ne pulvérisez pas sans avoir installé au préalable le protège-embout. N'appuyez JAMAIS sur la gâchette du pistolet si l'embout n'est pas sur la position de pulvérisation ou de débouchage. Bloquez toujours la gâchette du pistolet avant d'enlever, de remplacer ou de nettoyer l'embout.

- A) Le secret pour réaliser un bon travail de peinture est d'appliquer une couche homogène sur toute la surface. Déplacez votre bras à une vitesse constante et maintenez le pistolet de pulvérisation à une distance régulière de la surface. La meilleure distance de pulvérisation entre l'embout et la surface est de 25-30 cm.

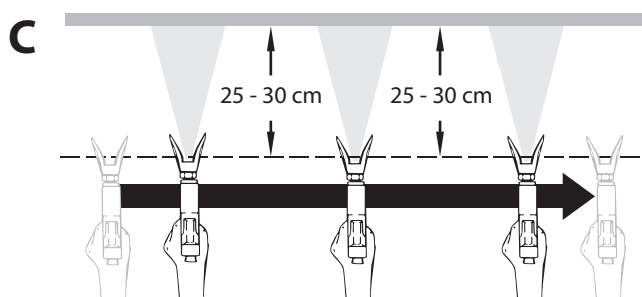


- B) Maintenez le pistolet de pulvérisation à angle droit par rapport à la surface. Pour ce faire, vous devez faire des allers-retours avec tout le bras au lieu de simplement plier le poignet.

Maintenez le pistolet de pulvérisation perpendiculaire à la surface pour que la couche ne soit pas plus épaisse d'un côté que de l'autre.



- C) Actionnez le pistolet après avoir commencé le passage. Relâchez la gâchette avant la fin du passage. Le pistolet pulvérisateur doit être en mouvement au moment d'appuyer sur la gâchette ou de la relâcher. Faites chevaucher les passages sur environ 30 %, pour garantir une couche uniforme.

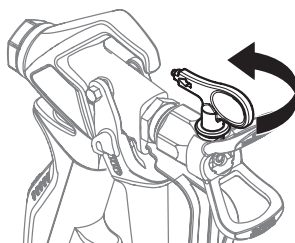


Si les bords de projection sont trop nets ou s'il y a des bandes dans le jet, il faut soit augmenter la pression de projection soit diluer davantage le produit.

4.1 DÉGAGER LA BUSE DE PULVÉRISATION



Si la répartition de votre pulvérisation devient déformée ou si la pulvérisation cesse complètement au cours de la pulvérisation, suivez ces étapes.

1. Suivre la "Procédure de décompression" à la section Fonctionnement du présent manuel.
 2. Si la buse devient bouchée, tournez la poignée de la buse de 180 degrés jusqu'à ce que la flèche sur la poignée soit orientée vers la direction opposée à la pulvérisation et la poignée s'enclenche dans la position inverse.
- 
3. Soulever la soupape PRIME/SPRAY à la position SPRAY.
 4. Appuyez sur la détente du pistolet une fois dans un contenant de déchets de façon à ce que la pression puisse déboucher la buse. N'utilisez JAMAIS la buse dans la position INVERSE plus longtemps qu'UNE pression sur la détente du pistolet à la fois. Cette procédure peut être répétée jusqu'à ce que la buse soit débouchée.



Le débit passant par la buse de pulvérisation est à une pression très élevée. Le contact avec une quelconque partie du corps peut être dangereux. Ne placez pas un doigt sur la sortie du pistolet. Ne pointez quiconque avec le pistolet. N'utilisez jamais le pulvérisateur sans le dispositif de protection de buse approprié.

5 NETTOYAGE



Attention

Le vaporisateur, le flexible et le pistolet doivent être nettoyés en profondeur après chaque journée d'utilisation et ce, afin d'éviter les accumulations de produit susceptibles de nuire grandement au rendement de l'appareil.



Lorsqu'on se sert d'essence minérale ou d'autres solvants pour nettoyer le vaporisateur, le flexible ou le pistolet, on doit régler la pression au minimum et retirer l'embout de la buse du pistolet. L'accumulation d'électricité statique risque de provoquer des incendies en présence de vapeurs inflammables.

5.1 DIRECTIVES PARTICULIÈRES POUR LE NETTOYAGE AU MOYEN DE SOLVANTS INFLAMMABLES

- Purger le pistolet à l'extérieur de préférence, à une distance d'au moins une longueur de flexible de la pompe.
- Si le solvant usé est recueilli dans un contenant métallique de 4 litres (1 gallon), celui-ci doit être inséré dans un second contenant d'au moins 20 litres (5 gallons).
- L'endroit choisi doit être exempt de vapeurs inflammables.
- On doit suivre les directives de nettoyage à la lettre.

5.2 NETTOYAGE DU PULVÉRISATEUR

1. Suivre la Procédure de décompression à la section Fonctionnement du présent manuel.
2. Retirer l'embout et le protège-embout, et les nettoyer au moyen d'une brosse et du solvant approprié.
3. Mettre le flexible d'aspiration dans un contenant de solvant approprié (de l'eau dans le cas de peintures au latex, de l'essence minérale dans le cas de peintures à l'huile, etc.).
4. Mettre le flexible de retour dans un contenant de purge métallique.
5. Abaisser la soupape PRIME/SPRAY à la position PRIME.



Tenez le tube de retour dans le conteneur de déchets en faisant passer le PRIME / SPRAY soupape de PRIME dans le cas où le pulvérisateur est sous pression.

6. Régler la pression pour le rapid clean par pulsations en mettant le bouton de régulation à la position RAPID CLEAN.
7. Mettre l'appareil en marche en mettant le commutateur à la position ON.
8. Laisser le solvant circuler dans l'appareil pour évacuer le produit de peinture par le flexible de retour, jusqu'au contenant de purge.
9. Arrêter l'appareil en mettant le commutateur à la position OFF.
10. Soulever la soupape PRIME/SPRAY à la position SPRAY.
11. Mettre l'appareil en marche.



On doit mettre le pistolet à la terre en le tenant contre le bord du contenant de purge métallique pendant qu'il se vide afin d'éviter les risques de décharges électrostatiques, lesquelles peuvent provoquer un incendie.

12. Appuyer sur la détente en visant le contenant métallique pour purger le produit du flexible, jusqu'à ce que le solvant s'écoule du pistolet.
13. Continuer d'appuyer sur la détente, en direction du contenant métallique, jusqu'à ce que le solvant évacué soit propre.



Pour l'entreposage à long terme en milieu froid, remplir tous les composants de l'appareil d'essence minérale.

Dans le cas de rangement à court terme après utilisation de peinture au latex, remplir tous les composants d'eau mélangée au protecteur Titan Liquid Shield (se reporter à la section Accessoires du présent manuel pour obtenir le numéro de pièce de ce produit).

14. Suivre la Procédure de décompression à la section Fonctionnement du présent manuel.
15. Débrancher l'appareil et le ranger dans un endroit propre et sec.



Attention

Ne pas ranger l'appareil sous pression.

5.3 ENTRETIEN



Reportez-vous au manuel de service, numéro de pièce 2421886 disponible en ligne pour toutes les instructions de service et les listes de pièces détachées.

6 DÉPANNAGE

Problème	Cause	Solution
A. L'appareil ne fonctionne pas.	<ol style="list-style-type: none"> L'appareil n'est pas branché. Disjoncteur déclenché. Le réglage de pression est trop bas (le bouton de commande de la pression au réglage minimum n'envoie pas de puissance au vaporisateur). Câblage défectueux ou débranché. Température excessive du moteur. Commutateur MARCHE/ARRÊT défectueux. 	<ol style="list-style-type: none"> Brancher l'appareil. Réenclencher le disjoncteur. Faire tourner le bouton de commande de la pression pour alimenter l'appareil et accroître la pression. Vérifier ou le faire réparer dans un centre d'entretien agréé par Titan. Laisser le moteur refroidir. Remplacer le commutateur MARCHE/ARRÊT.
B. L'appareil ne s'amorce pas.	<ol style="list-style-type: none"> La soupape d'entrée est coincée. La soupape de PRIME/SPRAY est en position SPRAY. Fuite d'air dans le flexible du siphon/d'aspiration. Le filtre de la pompe et/ou le filtre d'entrée sont bouchés. Le flexible de siphon/d'aspiration est bouché. 	<ol style="list-style-type: none"> Poussez complètement le tige de poussior. Faire tourner la soupape PRIME/SPRAY dans le sens des aiguilles d'une montre en position PRIME. Vérifier le branchement du flexible du siphon/d'aspiration et serrer ou recoller le raccord avec du ruban en PTFE. Démonter le filtre de la pompe et le nettoyer. Démontez le filtre d'entrée et le nettoyer. Démonter le flexible du siphon/d'aspiration et le nettoyer.
C. La pression ne se fait pas dans l'appareil ou la pression n'est pas uniforme.	<ol style="list-style-type: none"> L'embout d'aspiration est usé. L'embout d'aspiration est trop grand. Le bouton de commande de la pression n'est pas correctement fixé. Le filtre de la pompe, le filtre du pistolet ou le filtre d'entrée sont bouchés. Du produit s'échappe du flexible de retour lorsque la soupape de PRIME/SPRAY est en position SPRAY. Fuite d'air dans le flexible du siphon/le flexible d'aspiration. Il y a une fuite de liquide externe. Il y a une fuite interne dans la section des liquides (les tampons graisseurs sont usés et/ou sales, les clapets sont usés). Sièges de soupape usés. Le moteur démarre mais ne tourne pas. 	<ol style="list-style-type: none"> Remplacer l'embout d'aspiration selon les consignes qui accompagnent le pistolet de vaporisation. Remplacer l'embout d'aspiration par un embout à moins large selon les consignes qui accompagnent le pistolet de vaporisation. Tourner le bouton dans le sens des aiguilles d'une montre pour augmenter la pression. Démonter le filtre de la pompe et le nettoyer. Retirer le filtre du pistolet et le nettoyer. Démontez le filtre d'entrée et le nettoyer. Nettoyer ou remplacer la soupape de PRIME/SPRAY. Vérifier le branchement du flexible du siphon/d'aspiration et serrer ou recoller le raccord avec du ruban en PTFE. Vérifier qu'il n'y a pas de fuites externes dans tous les raccords. Resserer les raccords au besoin. Nettoyer les soupapes et la section des liquides selon la procédure "Maintenance de la Section des Liquides" décrite au chapitre Maintenance. Inverser ou remplacer les sièges de soupape selon la procédure "Maintenance de la Section des Liquides" décrite au chapitre Maintenance. Faire réparer dans un centre d'entretien agréé par Titan.
D. Fuite de liquide dans la partie supérieure de la section des liquides.	<ol style="list-style-type: none"> Les tampons graisseurs supérieurs sont usés. La tige du piston est usée. 	<ol style="list-style-type: none"> Regarnir selon la procédure "Maintenance de la Section des Liquides" décrite au chapitre Maintenance. Remplacer la tige du piston selon la procédure "Maintenance de la Section des Liquides" décrite au chapitre Maintenance.
E. Trop grand afflux au pistolet vaporisateur.	<ol style="list-style-type: none"> Mauvais type de flexible de vaporisation sans air. L'embout d'aspiration est usé ou trop grand. Pression excessive. 	<ol style="list-style-type: none"> Remplacer le flexible par un flexible de vaporisation de peinture sans air en tresse de textile de 1/4" et de 15m de longueur. Remplacer l'embout d'aspiration selon les consignes qui accompagnent le pistolet de vaporisation. Faire tourner le bouton de commande de la pression dans le sens inverse des aiguilles d'une montre pour réduire la pression d'évaporation.
F. Forme de vaporisation incorrecte.	<ol style="list-style-type: none"> L'embout d'aspiration est trop grand pour le produit utilisé. Mauvais réglage de pression. Sortie de liquide insuffisante. Le produit vaporisé est trop visqueux. 	<ol style="list-style-type: none"> Remplacer l'embout d'aspiration par un embout neuf ou plus petit selon les consignes qui accompagnent le pistolet de vaporisation. Faire tourner le bouton de commande de la pression pour régler la pression sur une forme de vaporisation plus adaptée. Nettoyer toutes les crépines et tous les filtres. Ajouter du solvant au produit selon les recommandations du fabricant.
G. L'outil n'est pas alimenté électriquement.	<ol style="list-style-type: none"> Le réglage de la pression est trop faible. Mauvaise tension d'alimentation. 	<ol style="list-style-type: none"> Faire tourner le bouton de commande de la pression dans le sens des aiguilles d'une montre pour augmenter la pression. Rebrancher sur 120 V AC.

* Reportez-vous au manuel d'entretien (numéro de pièce 2421886, disponible en ligne) pour des instructions complètes concernant cette procédure.

6.1 MESSAGES D'ERREUR DU SYSTÈME DE COMMANDE DIGI-TRAC



Les écrans de messages d'erreur suivants apparaissent dès que le système de commande Digi-Trac détecte un problème au pulvérisateur. Lorsqu'un problème survient et que le message d'erreur s'affiche, le pulvérisateur cesse de fonctionner.



Avant de continuer, suivre les directives de la section « Procédure de décompression » du présent manuel. Respecter également toutes les autres consignes de sécurité, afin d'éviter les blessures par injection, par contact avec une pièce mobile ou par choc électrique. Débrancher toujours le pulvérisateur avant la maintenance!

ÉCRAN « VÉRIFIER LE TRANSDUCTEUR » (CHECK TRANSDUCER)

L'écran « Vérifier le transducteur » apparaît lorsque le transducteur est débranché ou défectueux. Pour réparation, apporter le pulvérisateur à un centre de service autorisé Titan.

VERIF
TRANSDUCT

ÉCRAN « VÉRIFIER LE POTENTIOMÈTRE » (CHECK POTENTIOMETER)

L'écran « Vérifier le potentiomètre » apparaît lorsque le potentiomètre est débranché ou défectueux. Pour réparation, apporter le pulvérisateur à un centre de service autorisé Titan.

VERIF
POTENTIOMETRE

ÉCRAN « BASSE TENSION » (LOW VOLTAGE)

L'écran « Basse tension » apparaît lorsque le pulvérisateur cesse de fonctionner à cause d'une tension d'entrée basse. Vérifier l'alimentation et corriger le problème. Remettre en marche le pulvérisateur et suivre la procédure « Peindre » de la section « Fonctionnement » du présent manuel.

BASSE
TENSION

ÉCRAN « TEMPÉRATURE DU MOTEUR ÉLEVÉE » (HIGH MOTOR TEMPERATURE)

L'écran « Température du moteur élevée » apparaît lorsque la température du moteur devient trop élevée. Pour réparation, apporter le pulvérisateur à un centre de service autorisé Titan.

TEMPERATURE
MOTEUR ELEVÉE

ÉCRAN « CHARGE MÉCANIQUE ÉLEVÉE » (HIGH MECHANICAL LOAD)

L'écran « Charge mécanique élevée » apparaît lorsque le pulvérisateur cesse de fonctionner à cause d'un courant élevé ou lorsque le pulvérisateur revient au mode de repli d'intensité. Pour réparation, apporter le pulvérisateur à un centre de service autorisé Titan.

SURCHARGE
VERIF MECANISME

ÉCRAN « TEMPÉRATURE DE LA COMMANDE ÉLEVÉE » (HIGH CONTROL TEMPERATURE)

Indique l'arrêt du Digi-Trac en raison de la chaleur excessive. Pour réparation, apporter le pulvérisateur à un centre de service autorisé Titan.

TEMPERATURE
COMMANDE ELEVÉE

ÉCRAN « VÉRIFIER LE MOTEUR » (CHECK MOTOR)


Indique l'arrêt du moteur en raison de problèmes de connexion entre le moteur et le contrôleur. Pour réparation, apporter le pulvérisateur à un centre de service autorisé Titan.

VERIF
MOTEUR

ÉCRAN « MAUVAISE IMPULSION MOTRICE HALL » (BAD HALL CYCLE POWER)

Indique que le moteur ou les capteurs à effet Hall du moteur sont défectueux. Pour réparation, apporter le pulvérisateur à un centre de service autorisé Titan.

MVS IMP MOT HALL

Características	Carro			Bajo carro		
	840	840I	840IA	840	840I	840IA
Nombre	840	840I	840IA	840	840I	840IA
Núm. de modelo	805-009	2419303	2419222	805-010	2419300	2419297
Datos técnicos						
Capacidad (GPM)	1,0 (3,75 LPM)	1,0 (3,75 LPM)	1,0 (3,75 LPM)	1,0 (3,75 LPM)	1,0 (3,75 LPM)	1,0 (3,75 LPM)
Tamaño max. de soportes	0,032"	0,032"	0,032"	0,032"	0,032"	0,032"
Max presión de pulverización	22,8 MPa	22,8 MPa	22,8 MPa	22,8 MPa	22,8 MPa	22,8 MPa
Peso	39,46 kg	39,59 kg	39,68 kg	38,55 kg	38,69 kg	38,78 kg
Manguera, dimensión máxima	91,4 m	91,4 m	91,4 m	91,4 m	91,4 m	91,4 m
Suministro eléctrico	2.3 HP motor DC de Brushless, 100~120V AC, 50/60Hz, 15A			2.3 HP motor DC de Brushless, 100~120V AC, 50/60Hz, 15A		
Requisitos eléctricos de generado	5000 W (desactivar característica de hacia abajo)			5000 W (desactivar característica de hacia abajo)		
Características						
Digi-Trac™	X	X		X	X	
IntelliSync®		X	X		X	X
ActivGuard™ GPS			X			X
Carro de EZ-Tilt™			X			
Accesorios incluidos						
Pistola	RX-Pro			RX-Pro		
Manguera	15 m, Num. de pieza 316-505			15 m, Num. de pieza 316-505		
Filtro	60 malla, Num. de pieza 0089958			60 malla, Num. de pieza 0089958		
Manuales de instrucciones						
Instrucciones de uso, (Núm de form 0552882)	Inglés / francés / español Incluido con la unidad y disponible en línea en www.titantool.com			Inglés / francés / español Incluido con la unidad y disponible en línea en www.titantool.com		
Manual de mantenimiento, (Núm de form 2421886)	Inglés / francés / español disponible en línea en www.titantool.com			Inglés / francés / español disponible en línea en www.titantool.com		
Instrucciones de uso, RX-Pro (Núm de form 0538801)	Todos los idiomas Incluido con la unidad y disponible en línea en www.titantool.com			Todos los idiomas Incluido con la unidad y disponible en línea en www.titantool.com		
Conforma						
	Se conforma con UL STD 1450. Certificadas para CAN/CSAC 22.2 NO 68.			Se conforma con UL STD 1450. Certificadas para CAN/CSAC 22.2 NO 68.		
Aprobaciones de radiofrecuencia	<p>Frecuencia del transmisor (todos los modelos): 2.4 GHz Potencia del transmisor (todos los modelos): +8 dBm NOTA: Aviso de FCC/IC (todos los modelos) Contiene Id. de FCC: RYYEYSKBN Contiene IC: 4398B-EYSKBN</p> <p>El dispositivo cerrado cumple con la Parte 15 de las reglas de FCC y las normas de RSS exentas de licencia de Industry Canada. La operación está sujeta a las siguientes dos condiciones: (1) este dispositivo no puede causar interferencia dañina y (2) este dispositivo debe aceptar cualquier interferencia recibida, incluso la interferencia que pueda causar una operación no deseada.</p> <p>Los cambios o modificaciones no expresamente aprobados por la parte responsable del cumplimiento podrían anular la autoridad del usuario para operar el equipo.</p> <p>Este equipo no tiene protección contra interferencias dañinas y no puede causar interferencia en los sistemas autorizados debidamente.</p> <p>Este equipo tiene el tablero BGM13P22A con código de homologación ANATEL 01330-19-03402.</p>					

1	NORMAS DE SEGURIDAD PARA LA PULVERIZACIÓN AIRLESS	32
1.1	Explicación de los símbolos utilizados	32
1.2	Instrucciones para la conexión a tierra	32
1.3	Peligros para la seguridad	33
2	DESCRIPCIÓN GENERAL	34
3	OPERACIÓN	35
3.1	Utilización del seguro del gatillo de la pistola	35
3.2	Procedimiento para aliviar la presión	35
3.3	Configuración	35
3.4	Preparación de un rociador nuevo	36
3.5	Preparación para pintar	36
3.6	Pintura	37
3.7	Indicadores del panel de control	37
3.8	Tecnología IntelliSync® Bluetooth®	38
3.9	Operación de sistema de control Digi-Trac™	38-39
4	TÉCNICA DE PULVERIZACIÓN	40
4.1	Limpieza de la boquilla pulverizadora	40
5	LIMPIEZA	41
5.1	Instrucciones de limpieza especiales para usar con solventes inflamables	41
5.2	Limpieza del rociador	41
5.3	Mantenimiento	41
6	PROCEDIMIENTO EN CASO DE AVERÍAS	42
6.1	Mensajes de error del sistema de control Digi-Trac™	43
	ACCESORIOS	44/45
	GARANTÍA	47



¡ADVERTENCIA! ADVERTENCIA DE LA PROPUESTA 65 DE CALIFORNIA

Este producto lo puede exponer a productos químicos, como el plomo, que el estado de California sabe que producen cáncer, defectos congénitos u otros daños reproductivos.

Para obtener más información, visite **www.P65warnings.ca.gov**.

1 NORMAS DE SEGURIDAD PARA LA PULVERIZACIÓN AIRLESS

1.1 EXPLICACIÓN DE LOS SÍMBOLOS UTILIZADOS

El presente manual contiene información que deberá leer y comprender bien antes de utilizar el equipo. Cuando llegue a una sección que tenga uno de los siguientes símbolos, preste especial atención y asegúrese de que se cumplen las medidas de seguridad.



→ Este símbolo indica un peligro potencial que puede provocar lesiones graves e incluso la muerte. A continuación se incluye información importante de seguridad.



Atención

→ Este símbolo indica un peligro potencial para usted o para el equipo. A continuación se incluye información importante para evitar daños al equipo o evitar situaciones que podrían provocar lesiones de segundo orden.



→ Peligro de lesiones por inyección



→ Peligro de incendio



→ Peligro de explosión



→ Mezclas de vapores tóxicos y/o inflamables. Peligro de intoxicación y quemadura



→ Peligro de descarga eléctrica



→ Las notas añaden información importante a la que debe prestarse especial atención.

1.2 INSTRUCCIONES PARA LA CONEXIÓN A TIERRA

Este producto debe conectarse a tierra. En caso de un cortocircuito eléctrico, la conexión a tierra reduce el riesgo de choque eléctrico al aportar un alambre de escape para la corriente eléctrica. Este producto está equipado con un cable que tiene alambre a tierra con un enchufe a tierra adecuado. Debe usarse el enchufe para conectar a un receptáculo que esté debidamente instalado y conectado a tierra en conformidad con los códigos y las ordenanzas locales.

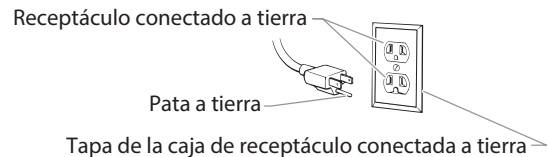


ADVERTENCIA - La instalación incorrecta del enchufe a tierra puede ocasionar un riesgo de choque eléctrico.

Si es necesario reparar o cambiar el cable o el enchufe, no conecte el cable verde a tierra a ninguno de las terminales de espiga plana. El cable con aislamiento de color verde por fuera con o sin rayas amarillas es el alambre a tierra y debe conectarse a la espiga a tierra.

Consulte a un electricista o técnico de servicio capacitado si las instrucciones para la conexión a tierra no se entienden claramente o si tiene dudas en cuanto a que el producto esté debidamente conectado a tierra. No modifique el enchufe que se incluye. Si el enchufe no encaja en el receptáculo, pida a un electricista capacitado que instale un receptáculo adecuado.

Este producto es para utilizarse en un circuito de 120 voltios nominales y tiene un enchufe a tierra que tiene un aspecto similar al ilustrado más abajo. Asegúrese que el producto esté conectado a un tomacorriente que tenga la misma configuración que el enchufe. No deben utilizarse adaptadores para este producto.



1.3 PELIGROS PARA LA SEGURIDAD



PELIGRO: LESIÓN CAUSADA POR INYECCIÓN

La corriente de líquido a alta presión que produce este equipo puede perforar la piel y tejidos interiores, pudiendo provocar graves lesiones e incluso hay posibilidad de amputación.

No trate una lesión por pulverización como una lesión de corte inocua. En caso de lesiones cutáneas por contacto con material de recubrimiento o disolvente, consultar inmediatamente a un médico para un tratamiento rápido y correcto. Informe al médico sobre el material de recubrimiento o disolvente utilizado.

PREVENCIÓN:

- No apunte con la pistola ni pulverice sobre ninguna persona ni animal.
- Mantenga las manos y el resto del cuerpo lejos de la descarga. Por ejemplo, no trate de detener fugas con ninguna parte de su cuerpo.
- NUNCA ponga la mano frente a la pistola. Los guantes no protegen contra una lesión por inyección.
- SIEMPRE mantenga la protección de la boquilla en su sitio al rociar. La protección de la boquilla sirve principalmente de dispositivo de advertencia.
- Utilice solamente la boquilla especificada por el fabricante.
- Tenga cuidado al limpiar y cambiar las boquillas. Si la boquilla se atasca durante la pulverización, ponga SIEMPRE el seguro del gatillo de la pistola, apague la bomba y libere toda la presión antes de reparar, limpiar el protector o la boquilla o cambiar la boquilla. La presión no se libera apagando el motor. Para liberar la presión hay que poner la manija de la válvula PRIME/SPRAY en PRIME. Consulte el Procedimiento de Alivio de Presión que se describe en el manual de la bomba.
- No deje el aparato con corriente ni con presión cuando nadie esté pendiente de ella. Cuando no utilice el aparato, apáguelo y libere la presión siguiendo las instrucciones del fabricante.
- La pulverización a alta presión puede inyectar toxinas en el cuerpo y producir daños graves en el mismo. En caso de que esto ocurra, visite a un médico inmediatamente.
- Compruebe las mangueras y las piezas en busca de daños; una fuga puede inyectar material en la piel. Inspeccione la manguera

antes de cada uso. Sustituya las mangueras o las piezas dañadas. Por razones de funcionamiento, seguridad y duración, emplear únicamente mangueras de alta presión originales de TITAN.

- Este sistema es capaz de producir 3300 PSI / 22,8 MPa. Utilice solamente piezas de repuesto o accesorios especificados por el fabricante y con una capacidad nominal de 3300 PSI como mínimo. Entre ellos se incluyen boquillas pulverizadoras, protectores para las boquillas, pistolas, alargadores, racores y mangueras.
- Ponga siempre el seguro del gatillo cuando no esté pulverizando. Verifique que el seguro del gatillo funciona correctamente.
- Antes de utilizar el aparato, verifique que todas las conexiones son seguras.
- Aprenda a detener el aparato y a liberar la presión rápidamente. Familiarícese a conciencia con los controles. La presión no se libera apagando el motor. Para liberar la presión hay que poner la manija de la válvula PRIME/SPRAY en PRIME. Consulte el Procedimiento de Alivio de Presión que se describe en el manual de la bomba.
- Quite siempre la boquilla pulverizadora antes de enjuagar o limpiar el sistema.



NOTA PARA EL MÉDICO: La inyección a través de la piel es una lesión traumática. Es importante tratar la lesión tan pronto sea posible. NO retrase el tratamiento para investigar la toxicidad. La toxicidad es un factor a considerar con ciertos revestimientos inyectados directamente en la corriente sanguínea. Puede ser aconsejable consultar con un cirujano plástico o un cirujano especialista en reconstrucción de las manos.



PELIGRO: MANGUERA DE ALTA PRESIÓN

En la manguera de pintura pueden aparecer fugas a causa del desgaste, de retorcimientos o de un mal uso. Una fuga puede proyectar material hacia la piel. Revise siempre la manguera antes de usarla.

PREVENCIÓN:

- Evitar doblar mucho o plegar la manguera de alta presión, radio de flexión mínimo, aprox. 20 cm.
- No pasar por encima de la manguera de alta presión, protegerla contra contactos con objetos agudos y cantos cortantes.
- Sustituir inmediatamente la manguera de alta presión dañada.
- ¡No reparar nunca una manguera de alta presión defectuosa!
- La carga electrostática de la pistola de pulverización y la manguera de alta presión se descarga a través de la manguera de alta presión. Por esa razón, la resistencia eléctrica entre los empalmes de la manguera de alta presión debe ser igual o menor a un Megaohm.
- Por razones de funcionamiento, seguridad y duración, emplear únicamente mangueras de alta presión originales de Titan.
- Cada vez que vaya a utilizar el equipo, compruebe antes todas las mangueras en busca de cortes, fugas, abrasión o bultos en la cubierta. Compruebe el movimiento de los acoplamientos y si están dañados. Sustituya inmediatamente una manguera si descubre alguna de estas anomalías. No repare nunca una manguera de pintar. Sustitúyala por una manguera a alta presión puesta a tierra.
- Asegúrese de que la manguera de aire y las mangueras de pulverización estén dispuestos de forma que minimicen el peligro de deslizamientos, tropiezos y caídas.



PELIGRO: EXPLOSIONES E INCENDIOS



Los vapores inflamables, como los vapores de las pinturas y los solventes, pueden encenderse o explotar en el área de trabajo.

PREVENCIÓN:

- No pulverice materiales inflamables ni combustibles cerca de llamas desnudas, pilotos o fuentes de ignición como objetos calientes, cigarrillos, motores, equipos eléctricos o electrodomésticos. Evite producir chispas al conectar y desconectar los cables de alimentación.
- Tenga muchísimo cuidado al usar materiales cuyo punto de ignición sea inferior a 38 °C (100 °F). El punto de inflamación es la temperatura a la que un fluido puede producir vapor suficiente como para incendiarse.
- La pintura o disolvente que pase por el equipo puede producir electricidad estática. La electricidad estática supone un riesgo de incendio o explosión en presencia de emanaciones de pintura o disolvente. Todas las piezas del sistema pulverizador, incluyendo la bomba, el conjunto de mangueras, la pistola pulverizadora y los objetos dentro y alrededor de la zona de pulverización se conectarán a tierra para protegerlos frente a descargas estáticas y chispas. Utilice solamente mangueras para pulverizadores de pintura airless (sin aire) de alta presión conductoras o con toma a tierra especificadas por el fabricante.
- Compruebe que todos los recipientes y sistemas de recogida están conectados a tierra para evitar descargas eléctricas.
- No utilice pintura o disolvente que contenga hidrocarburos halogenados, como cloro, fungicida blanqueador, cloruro de metileno y tricloroetano. No son compatibles con el aluminio. Póngase en contacto con el proveedor del material para conocer su compatibilidad con el aluminio.
- Mantenga la zona de pulverización bien ventilada. Asegúrese de que circula aire fresco por la zona para evitar que se acumulen vapores inflamables en el aire de la zona de pulverización. Ponga el conjunto de la bomba en una zona bien ventilada. No pulverice el conjunto de la bomba.
- No fume en la zona de pulverización.
- No encienda interruptores de luces, motores ni productos similares que puedan producir chispas en la zona de pulverización.
- Mantenga la zona limpia y despejada de botes de pintura y disolventes, trapos y otros materiales inflamables.
- Infórmese del contenido de la pintura y de los disolventes que pulverice. Lea las hojas de datos sobre seguridad de los materiales (SDS) y las etiquetas en los botes de pintura y disolvente. Siga las instrucciones de seguridad del fabricante de la pintura y del disolvente.
- Coloque la bomba al menos a 6,1 metros (20 pies) del objeto que se va a pulverizar en una zona bien ventilada (añada más manguera si fuera necesario). Los vapores inflamables suelen ser más pesados que el aire. La zona del suelo debe estar muy bien ventilada. La bomba contiene piezas que forman arcos que producen chispas y pueden inflamar los vapores.
- El plástico puede producir chispas estáticas. Nunca utilice plástico para cercar la zona de pulverización. No utilice cortinas de plástico mientras pulveriza material inflamable.
- Deberá contar con equipos extintores de incendios que funcionen correctamente.



PELIGRO: VAPORES PELIGROSOS

Las pinturas, disolventes, y otros materiales pueden ser perjudiciales si se inhalan o entran en contacto con el cuerpo. Los vapores pueden provocar náuseas intensas, desmayos o envenenamiento.

PREVENCIÓN:

- Ponerse una careta respiratoria durante los trabajos de pulverización. Lea todas las instrucciones facilitadas con la mascarilla para asegurarse de que proporciona toda la protección necesaria.
- Se deben respetar todas las normas de seguridad con respecto a la protección contra vapores dañinos.
- Lleve gafas protectoras.
- Para proteger la piel se necesitan especialmente ropa protectora, guantes y, si es necesario, crema cutánea de protección. Prestar atención a las prescripciones de los fabricantes con respecto a materiales de recubrimiento, disolventes y agentes limpiadores durante la preparación, el tratamiento y la limpieza de los aparatos.



PELIGRO: GENERAL

Pueden producirse lesiones graves o daños materiales.

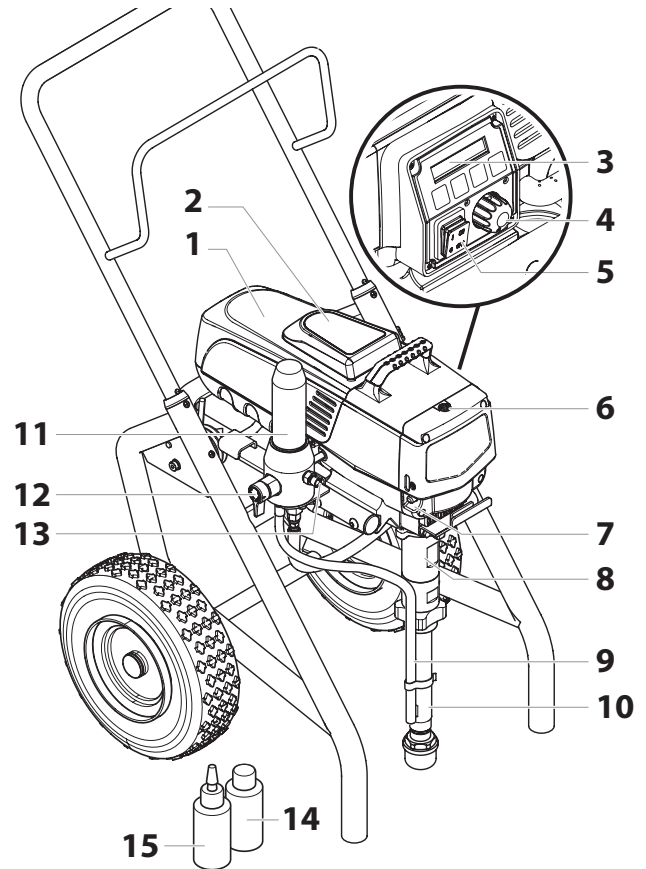
PREVENCIÓN:

- Cuando pinte, lleve siempre guantes, protección para los ojos, ropa y un respirador o máscara adecuados.
- Nunca utilice el aparato ni pulverice cerca de niños. Mantenga el equipo alejado de los niños en todo momento.
- No se estire demasiado ni se apoye sobre un soporte inestable. Mantenga los pies bien apoyados y el equilibrio en todo momento.
- No se distraiga y tenga cuidado con lo que hace.
- No utilice el aparato si está fatigado o se encuentra bajo la influencia del alcohol o de las drogas.
- No retuerza ni doble la manguera en exceso. En la manguera airless pueden aparecer fugas a causa del desgaste, de retorcimientos o de un mal uso. Una fuga puede inyectar material en la piel.
- No exponga la manguera a temperaturas o presiones que superen las especificadas por el fabricante.
- No utilice la manguera como elemento de fuerza para tirar del equipo o levantarlo.
- Utilice la presión más baja posible para enjuagar el equipo.
- Cumpla todos los reglamentos locales, estatales y nacionales pertinentes relativos a ventilación, prevención de incendios y funcionamiento.
- Las normas sobre seguridad del gobierno de los Estados Unidos se han adoptado al amparo de la Ley de salud y seguridad ocupacional (OSHA). Deben consultarse tres normas, particularmente la sección 1910 de las Normas generales y la sección 1926 de las Normas sobre construcción.
- Cada vez que vaya a utilizar el equipo, compruebe antes todas las mangueras en busca de cortes, fugas, abrasión o bultos en la cubierta. Compruebe el movimiento de los acoplamientos y si están dañados. Sustituya inmediatamente una manguera si descubre alguna de estas anomalías. No repare nunca una manguera de pintura. Sustitúyala por una manguera conductora a alta presión.
- No pulverice al aire libre si hace viento.
- Desenchufe siempre el cable antes de trabajar en el equipo.

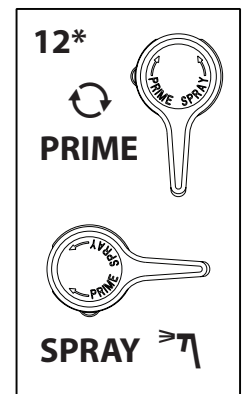
2 DESCRIPCIÓN GENERAL



Este rociador sin aire es una herramienta precisa que se utiliza para rociar diferentes tipos de materiales. Lea y siga este manual de instrucciones minuciosamente para ver las instrucciones de operación apropiadas, así como también información de mantenimiento y seguridad.



1. Motor
2. IntelliSync®/Bluetooth® (si está equipada)
3. Digi-Trac™ Control System (si está equipada)
4. Perilla de control de presión
5. Interruptor de ENCENDIDO/ APAGAD
6. Tapa de lubricador
7. Botón de lubricador
8. Sección de líquido
9. Tubo de retorno
10. Manguera de sifón
11. Ensemble del filtro
12. Válvula de PRIME/SPRAY
13. Conector de la manguera
14. Liquid Shield™ (118 ml)
15. Piston Lube™ (118 ml)



3 FUNCIONAMIENTO

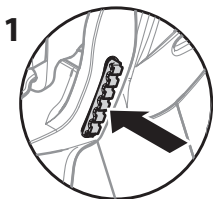


Este equipo produce un flujo constante a presiones extremadamente altas. Lea detalladamente las advertencias de la sección Precauciones de seguridad en la parte delantera de este manual antes de operar este equipo.

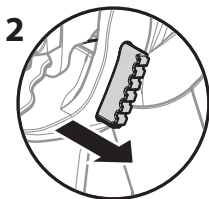
3.1 UTILIZACIÓN DEL SEGURO DEL GATILLO DE LA PISTOLA

Ponga siempre el seguro del gatillo cuando no esté usando la pistola.

1. Para bloquear el gatillo, mueva el seguro del gatillo de **izquierda** a **derecha**, desde la parte posterior de la pistola.
2. Para desbloquear el gatillo, mueva el seguro del gatillo de **derecha** a **izquierda**, desde la parte posterior de la pistola.



Gatillo bloqueado (la pistola no pulveriza)



Gatillo desbloqueado (la pistola sí pulveriza)

3.2 PROCEDIMIENTO PARA ALIVIAR LA PRESIÓN

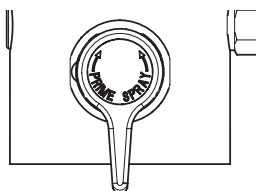


No deje de seguir el procedimiento para aliviar la presión cuando apague la unidad por cualquier motivo, incluso el servicio o ajuste de alguna pieza del sistema de rociado, cambio o limpieza de las puntas rociadoras o la preparación para la limpieza.

1. Bloquee la pistola mueva el seguro del gatillo de la pistola a la posición bloqueada.
2. Apague la unidad moviendo el interruptor de ON/OFF a la posición OFF.
3. Gire la perilla de control de presión en sentido antihorario a su posición OFF en la zona negra.
4. Desbloquee la pistola girando el seguro del gatillo de la pistola a la posición liberada.
5. Sostenga firmemente la parte metálica de la pistola contra el lado de un recipiente metálico para conectar a tierra la pistola y evitar la acumulación de electricidad estática.



6. Accione el gatillo para aliviar toda presión que haya quedado en la manguera.
7. Bloquee la pistola mueva el seguro del gatillo de la pistola a la posición bloqueada.
8. Mueva hacia abajo la válvula PRIME/SPRAY a la posición PRIME.



3.3 CONFIGURACIÓN

Realice el procedimiento a continuación antes de enchufar el cable de alimentación de una unidad eléctrica.

1. Fíjese que el juego de succión y la manguera de retorno estén conectados y seguros.
2. Conecte un mínimo de 50 pies de manguera rociadora sin aire de nilón a la unidad.
3. Conecte la pistola rociadora sin aire a la manguera rociadora. No conecte todavía la punta a la pistola rociadora. Retire la punta si está conectada.



Todavía no conecte la punta a la pistola rociadora. Quite la punta si ya estaba conectada.



Asegúrese de que todas las mangueras y pistolas pulverizadoras sin aire estén conectadas a tierra y estén clasificadas en o sobre el margen máximo de presión de funcionamiento del pulverizador sin aire.

4. Fíjese que la perilla de control de presión esté en la posición OFF en la zona negra.
5. Fíjese que el interruptor de ON/OFF esté en la posición OFF.
6. Quite la tapa del lubricador usando un destornillador de punta plana. Llene el lubricador con una oz de lubricante de sello de pistón (Piston Lube). Coloque la tapa.
7. Presione el botón e 2-5 veces para preparar el lubricador. para lubricar la sección de fluidos. Presione una vez para utilizarlo durante 8 horas para lubricar la sección de líquidos.



Atención

Nunca haga funcionar la unidad durante más de 10 segundos sin líquido. La operación de esta unidad sin líquido ocasionará un desgaste innecesario de las empaquetaduras.

8. Revise que el servicio eléctrico sea de 120V, 15 amperios, como mínimo.
9. Enchufe el cable de alimentación en un tomacorriente con conexión a tierra apropiada a una distancia mínima de 25 pies del área de rociado.



Atención

Use siempre un cable de extensión de tres conductores, calibre 12 como mínimo, con enchufe conectado a tierra. Nunca retire la tercera pata ni use un adaptador.

Después de apague la bomba, esperar 30 segundos para permitir que el poder de la fuga de los capacitores.

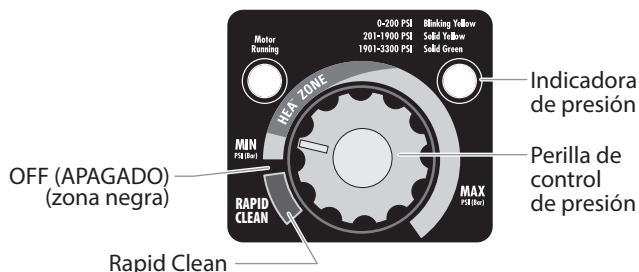
3.4 PREPARACIÓN DE UN ROCIADOR NUEVO

Si esta unidad es nueva, se envía con un líquido de prueba en la sección de líquidos para evitar la corrosión durante el envío y almacenamiento. Este líquido debe retirarse completamente del sistema con alcoholes minerales antes de comenzar a rociar.



Mantenga siempre el seguro del gatillo de la pistola rociadora en la posición bloqueada mientras prepara el sistema.

1. Coloque el tubo de succión en un recipiente de alcoholes minerales.
2. Coloque la manguera de retorno en un recipiente metálico para desecho.
3. Fije la presión al mínimo girando la perilla de control de presión al ajuste "MIN".



4. Mueva hacia abajo la válvula PRIME/SPRAY a la posición PRIME.
5. Encienda la unidad moviendo el interruptor de ON/OFF a la posición ON.
6. Deje funcionar el rociador entre 15 y 20 segundos para eliminar el resto del líquido de prueba a través de la manguera de retorno hacia el recipiente de desecho.
7. Apague la unidad moviendo el interruptor de ON/OFF (ENCENDIDO/APAGADO) a la posición OFF (APAGADO).

3.5 PREPARACIÓN PARA PINTAR

Antes de pintar, es importante revisar que el líquido del sistema sea compatible con la pintura que va a utilizar.



Los líquidos y pinturas incompatibles pueden causar que se atasquen cerradas las válvulas, lo cual puede necesitar que se desmonte y limpie la sección de líquidos del rociador.



Mantenga siempre el seguro del gatillo de la pistola rociadora en la posición bloqueada mientras prepara el sistema.

1. Coloque el tubo de succión en un recipiente con el solvente apropiado. Los solventes apropiados son, por ejemplo, agua para pintura látex o alcoholes minerales para las pinturas a base de aceite.
2. Coloque la manguera de retorno en un recipiente metálico para desecho.

3. Fije la presión al mínimo girando la perilla de control de presión al ajuste "MIN".
4. Mueva hacia abajo la válvula PRIME/SPRAY a la posición PRIME.



Sujete el tubo de retorno en el contenedor de residuos al mover el PRIME / SPRAY válvula de PRIME en caso de que el pulverizador es presurizado.

5. Encienda la unidad moviendo el interruptor de ON/OFF a la posición ON.
6. Deje funcionar el rociador entre 15 y 30 segundos para eliminar el resto del solvente anterior a través de la manguera de retorno hacia el recipiente metálico de desecho.
7. Apague la unidad moviendo el interruptor de ON/OFF a la posición OFF.



Fíjese que la pistola rociadora no tenga instalada una punta o protección de punta.

8. Mueva hacia arriba la válvula PRIME/SPRAY a la posición SPRAY.
9. Encienda la unidad.
10. Desbloquee la pistola mueva el seguro del gatillo de la pistola a la posición liberada.



Conecte a tierra la pistola apoyándola contra el borde del recipiente de metal mientras elimina el líquido. De lo contrario puede provocar la descarga de electricidad estática, lo cual a su vez puede ocasionar un incendio.

11. Apriete el gatillo en el recipiente metálico para desecho hasta que el solvente usado salga y comience a salir solvente fresco de la pistola.
12. Bloquee la pistola girando el seguro del gatillo de la pistola a la posición bloqueada.
13. Deje hacia abajo la pistola y aumente la presión girando la perilla de control de presión lentamente en el sentido horario hacia la zona verde.
14. Revise todo el sistema en busca de fugas. Si ocurren fugas, siga el "Procedimiento para aliviar la presión" en este manual antes de apretar conectores o mangueras.
15. Siga el "Procedimiento para aliviar la presión" de este manual antes de cambiar de solvente a pintura.



No deje de seguir el procedimiento para aliviar la presión cuando apague la unidad por cualquier motivo, incluso el servicio o ajuste de alguna pieza del sistema de rociado, cambio o limpieza de las puntas rociadoras o la preparación para la limpieza.

3.6 PINTURA

1. Coloque el tubo de succión en un recipiente de pintura.
2. Coloque la manguera de retorno en un recipiente metálico para desecho.
3. Fije la presión al mínimo girando la perilla de control de presión al ajuste "MIN".
4. Mueva hacia abajo la válvula PRIME/SPRAY a la posición PRIME.
5. Encienda la unidad moviendo el interruptor de ON/OFF a la posición ON.
6. Deje funcionar el rociador hasta que empiece a pasar pintura a través de la manguera de retorno hacia el recipiente metálico de desecho.
7. Apague la unidad moviendo el interruptor de ON/OFF a la posición OFF.
8. Retire la manguera de retorno del recipiente para desecho y colóquela en la posición de operación, sobre el recipiente de pintura.
9. Mueva hacia arriba la válvula PRIME/SPRAY a la posición SPRAY.
10. Encienda la unidad.
11. Desbloquee la pistola girando el seguro del gatillo de la pistola a la posición liberada.



Conecte a tierra la pistola apoyándola contra el borde del recipiente de metal mientras elimina el líquido. De lo contrario puede provocar la descarga de electricidad estática, lo cual a su vez puede ocasionar un incendio.

12. Apriete el gatillo en el recipiente metálico para desecho hasta que todo el aire y el solvente usado salga de la manguera rociadora y comience a salir pintura libremente de la pistola.
13. Bloquee la pistola mueva el seguro del gatillo de la pistola a la posición bloqueada.
14. Apague la unidad.
15. Coloque la protección y la punta en la pistola según se indica en los manuales de las mismas.



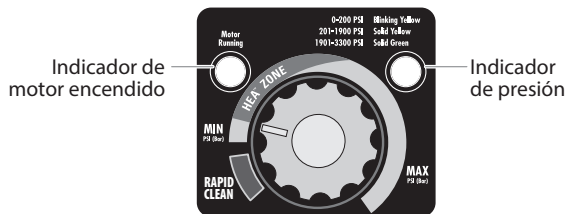
POSIBLE PELIGRO DE INYECCIÓN. No rocíe sin la protección de la punta en su lugar. Nunca apriete el gatillo de la pistola a menos que la punta esté en la posición de rociado o desatasco. Siempre coloque el seguro del gatillo de la pistola antes de retirar, reemplazar o limpiar la punta.

16. Encienda la unidad.
17. Aumente la presión girando la perilla de control de presión lentamente en el sentido horario hacia la zona verde y pruebe el patrón de rociado en un trozo de cartón. Ajuste la perilla de control de presión hasta que la pistola rocíe en forma completamente atomizada.



Si se sube la presión más de lo necesario para atomizar la pintura causará el desgaste prematuro de la punta y rociará en exceso.

3.7 INDICADORES DEL PANEL DE CONTROL



INDICADOR DE FUNCIONAMIENTO DEL MOTOR

El indicador de funcionamiento del motor se enciende al poner en marcha el motor. Este indicador se utiliza en los centros de servicio para solucionar problemas del motor.

INDICADOR DE PRESIÓN

El indicador de presión muestra la presión de funcionamiento actual del pulverizador. Muestra tres indicaciones diferentes: amarillo intermitente, amarillo fijo y verde fijo.

Amarillo intermitente

Cuando el indicador de presión parpadea en amarillo, el pulverizador está funcionando entre 0 y 200 PSI (14 bar). Un indicador de presión amarillo intermitente indica que:

- El pulverizador está enchufado y encendido ("ON")
- El pulverizador está funcionando con una presión de cebado (con muy poca presión o sin presión)
- Es seguro cambiar la válvula PRIME/SPRAY (cebar/pulverizar) de posición
- Es seguro cambiar o reemplazar la boquilla pulverizadora



Si el indicador de presión comienza a parpadear en amarillo al poner el mando de control en una presión mayor y la válvula PRIME/SPRAY está en la posición SPRAY, o la boquilla está desgasta o el pulverizador necesita servicio/repelación.

Amarillo fijo

Cuando el indicador de presión está en amarillo fijo, el rociador está funcionando entre 200 y 1800 PSI. El indicador de presión amarillo fijo significa que:

- El rociador tiene un ajuste de presión adecuado para el rociado de tintes, lacas, barnices, y diversos colores
- Si el indicador de presión pasa a amarillo fijo cuando la presión está ajustada de tal manera que comienza en verde fijo, indica una de las siguientes cosas:
 - a. **Indicador de punta desgastada** — cuando se rocía con látex o a alta presión aparece el amarillo fijo. Esto significa que la punta está desgastada y se debe reemplazar.
 - b. **Punta demasiado grande** — cuando se pone en la pistola una punta demasiado grande para el rociador, el indicador de presión pasará de verde fijo a amarillo fijo.
 - c. **Sección de líquidos desgastada** — si aparece un indicador de presión amarillo fijo cuando se utiliza una punta nueva y la presión está ajustada al máximo, puede ser necesario darle servicio (empaquetaduras desgastadas, pistón desgastado, válvula atascada, etc.).

Verde fijo

Cuando el indicador de presión está verde fijo, el pulverizador está funcionando entre 1901 PSI (120 bar) y 3300 PSI (230 bar). Un indicador de presión en verde fijo indica que:

- El rociador tiene el ajuste de presión adecuado para rociar pinturas a base de aceite o de látex
- El rociador está funcionando en su máximo rendimiento con un ajuste de alta presión

3.8 TECNOLOGÍA INTELLISYNC® BLUETOOTH® (SI ESTÁ EQUIPADA)

Los modelos Impact 840I y 840IA están equipados con capacidades IntelliSync®. La aplicación MyTitan™ se puede descargar desde Google Play, App Store de Apple u otras fuentes de aplicaciones para conectar el pulverizador por Bluetooth.

La innovación conoce la practicidad con la cuenta de propietario y aplicación inteligente MyTitan™, que cuenta con tecnología revolucionaria que coloca el control total de su empresa en la palma de su mano. La aplicación MyTitan™ está llena de útiles características, le permite controlar su bomba, realizar seguimiento de sus trabajos, configurar un recordatorio de mantenimiento, administrar su flota de pulverizadores, además de contar con el exclusivo indicador de desgaste de boquilla TipAware™ y ActivGuard™ (en modelos específicos), y también le ahorrará tiempo, aumentará la productividad y le permitirá administrar cada proyecto de manera más eficaz y eficiente.

La aplicación MyTitan™ se puede usar con pulverizadores sin aire, aunque la conectividad se limita solo a las bombas Titan equipadas con tecnologías Bluetooth®.

Para obtener información acerca de la cuenta de usuario y aplicación MyTitan™, visite www.titantool.com.



INTELLISYNC
BLUETOOTH CONNECTIVITY

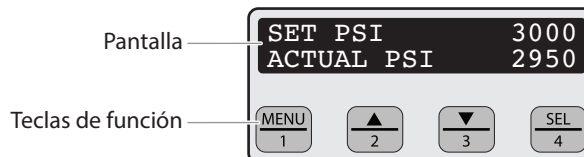


ACTIVGUARD™
REAL-TIME GPS

3.9 DIGI-TRAC™ CONTROL SYSTEM (SI ESTÁ EQUIPADA)



El Digi-Trac™ Control System aumenta la funcionalidad del pulverizador. Va instalado justo debajo del mando de control de presión del panel de control. Consta de una pantalla y de cuatro teclas de función. La pantalla muestra varios menús que permiten al usuario personalizar y controlar el funcionamiento del pulverizador utilizando las teclas de función.



El mando de control de presión anula la configuración del Sistema Digi-Trac™ Control System. Siempre que se gire dicho mando, la presión del pulverizador cambiará consecuentemente.

TECLAS DE FUNCIÓN

Las teclas de función están numeradas del 1 al 4. Cada tecla lleva además una etiqueta con una función adicional.

Tecla nº 1/Menu	La tecla nº 1 sirve para desplazarse por las pantallas de menú disponibles o para ejecutar una función descrita en la pantalla de menú activa.
Tecla nº 2/▲	La tecla nº 2 sirve para ejecutar una función descrita en la pantalla de menú activa o para incrementar un valor.
Tecla nº 3/▼	La tecla nº 3 sirve para ejecutar una función descrita en la pantalla de menú activa o para reducir un valor.
Tecla nº 4/Select	La tecla nº 4 sirve para seleccionar la pantalla de menú activa o para ejecutar una función descrita en la pantalla de menú activa.

PANTALLAS DE MENÚS

Hay varias pantallas de menú disponibles para que el usuario personalice y controle el funcionamiento del pulverizador. Algunas de estas pantallas son: Main Screen (pantalla principal), Volume Pumped (volumen bombeado), Job Volume (volumen de trabajo), Unit Serial nº (nº de serie del aparato), Timers (temporizadores), Job Timers (temporizadores de trabajo), Service Time (tiempo de servicio), Security Code (código de seguridad), Prime (cebar) y Rapid Clean (limpieza).

PANTALLA PRINCIPAL

La pantalla principal es la pantalla predeterminada para el sistema de control durante el arranque del pulverizador.



Al presionar N° 2 se alterna entre las unidades de medición PSI, Bar y MPa. Presione la tecla N° 1 para desplazarse por las pantallas de menú restantes.

PANTALLA VOLUME PUMPED (VOLUMEN BOMBEADO)

La pantalla Volume Pumped muestra el número de galones o litros que ha pulverizado el pulverizador.

VOLUMEN BOMBEADO
MENU-1 SELEC-4

Para seleccionar la pantalla Volume Pumped (Volumen bombeado), presione la tecla N° 4.

GALONES X
MENU-1 LITROS-2

LITROS X
MENU-1 GALONES-2

PANTALLA JOB VOLUME (VOLUMEN DE TRABAJO)

La pantalla Job Volume permite que el usuario restablezca el contador de galones para registrar el uso en trabajos específicos.

TEMPORIZ TRABAJO
MENU-1 SELEC-4

Para seleccionar la pantalla Job Volume (Volumen de trabajo), presione la tecla N° 4.

GALONES XXXX
MENU-1 REIN.-3

PANTALLA UNIT SERIAL # (N° DE SERIE DEL APARATO)

La pantalla Unit Serial # muestra el número de serie de los pulverizadores.

No SERIE UNIDAD
MENU-1 SELEC-4

Seleccione la pantalla Unit Serial #, presione la tecla N° 4.

No. XXXXXXXXXXXX
MENU-1

PANTALLA TIMERS (TEMPORIZADORES)

La pantalla Timers muestra el tiempo total que el pulverizador ha estado encendido y el tiempo total de funcionamiento del pulverizador (bombeando).

TEMPORIZADORES
MENU-1 SELEC-4

Para seleccionar la pantalla Timers, presione la tecla N° 4.

TPO ENC XXXX
TPO FUNC XXXX

PANTALLA JOB TIMERS (TEMPORIZADORES DE TRABAJO)

La pantalla Job Timers permite que el usuario restablezca los valores "ON TIME" (Tiempo encendido) y "RUN TIME" (Tiempo de funcionamiento) del registro de tiempo en trabajos específicos.

TEMPORIZ TRABAJO
MENU-1 SELEC-4

Para seleccionar la pantalla Job Timers, presione la tecla N° 4. La pantalla "JOB ON" será mostrada. Presione la tecla N° 3 con el fin de reestablecer. Presione la tecla N° 1 a fin de continuar a la pantalla de "JOB RUN". Presione la tecla N° 3 con el fin de reestablecer. Presione la tecla N° 1 para desplazarse a través de las pantallas restantes.

TPO ENC X
MENU-1 REIN.-3

TPO FUNC X
MENU-1 REIN.-3

PANTALLA SERVICE TIME (TIEMPO DE SERVICIO)

La pantalla Service Time le permite al usuario configurar un intervalo de servicio (en horas). Bajo el tiempo establecido, la pantalla muestra la cantidad de horas actual en el pulverizador desde la última activación del temporizador de servicio. Para seleccionar la pantalla Service Timer, presione la tecla N° 4.

TIEMPO SERVICIO
MENU-1 SELEC-4

Para establecer el tiempo de servicio, presione las teclas N° 2 (Hacia arriba) o N° 3 (Hacia abajo) hasta la hora deseada (las horas de funcionamiento aumentarán/disminuirán en incrementos de 25 cada vez que presione una tecla).

SERVICIO @ XX
HORAS FUNC. XX

Cuando la pulverizadora alcance el tiempo de SERVICE@ seleccionado, la pantalla mostrará "SERVICE DUE" (SERVICIO REALIZADO). Para restablecer el temporizador, presione la tecla n° 3 cuando se encienda la bomba por primera vez. Esto restablecerá el mensaje de "SERVICE DUE" (SERVICIO REALIZADO) y también el "SERVICE TIME" (TIEMPO DE SERVICIO) a su ajuste anterior.

PANTALLA SECURITY CODE (CÓDIGO DE SEGURIDAD)

La pantalla Security Code le permite al usuario configurar un código de seguridad de cuatro dígitos para evitar el uso no autorizado del pulverizador. Si se ha configurado un código de seguridad, la pantalla del sistema de control le pedirá el código durante el inicio. Si se ingresa el código erróneo, la pantalla mostrará la pantalla principal y funcionará el pulverizador. Si se ingresa el código incorrecto, la pantalla continuará solicitando el código correcto y la pulverizadora no funcionará. Para configurar o cambiar el código de seguridad, presione la tecla N° 2.

CODIGO SEGURIDAD
MENU-1 CAMBIO-2



Si el pulverizador es nuevo, no hay definido ningún código de seguridad y se mostrará la pantalla principal al poner en marcha el equipo. Cuando seleccione por primera vez un código de seguridad, aparecerá la pantalla "Enter Old Code Number" (Ingrese el número de código antiguo) y deberá ingresar "1111".

Introduzca el código de seguridad antiguo para acceder a una pantalla que le permite cambiarlo. Si se introduce un código erróneo, la pantalla continuará preguntándole el código correcto y no podrá cambiar el código de seguridad.

Introduzca el código seguridad nuevo: Una vez introducido el código nuevo, la pantalla le pedirá automáticamente que introduzca otra vez el código nuevo para su verificación. Si se introduce el mismo código, la pantalla confirmará que el nuevo código ha sido aceptado y volverá a la pantalla principal. Si se introduce un código erróneo, la pantalla volverá a la pantalla "Enter New Code Number" (introducir nuevo número de código) y el proceso comenzará de nuevo.

INTRO NUMERO COD
NUEVO XXXX

INTRODUCIR COD
NUEVO OTRA VEZ XXXX

No DE CODIGO NUEVO
ACEPTADO

Si olvida o pierde su código de seguridad, puede llamar para solicitar asistencia al Departamento de Servicio al Cliente de Titan.



Para desactivar la función de seguridad, introduzca "1111" en la pantalla "Enter New Code Number" (este es el código predeterminado que desbloquea el pulverizador). Como resultado, se mostrará la pantalla principal al poner en marcha el pulverizador.

PANTALLA PRIME (CEBAR)

La pantalla Prime aparece cuando el mando de control de presión se pone en "Min" en la zona amarilla.

CEBAR

PANTALLA RAPID CLEAN (LIMPIEZA)

La pantalla Rapid Clean (limpieza) aparece cuando se fija la perilla de control de presión en la posición RAPID CLEAN y la válvula PRIME/SPRAY (Pulverizar/Cebar) está en la posición PRIME (Cebar).

LIMPIEZA



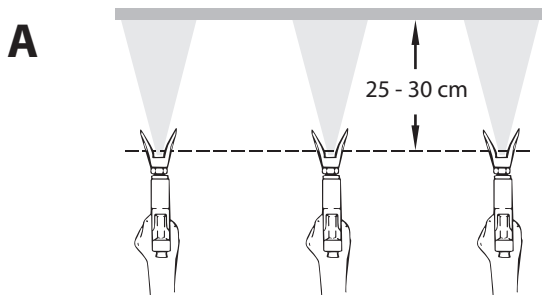
Si no se realiza ninguna acción en la pantalla de menú durante 30 segundos, se volverá a mostrar la pantalla principal.

4 TÉCNICA DE PULVERIZACIÓN



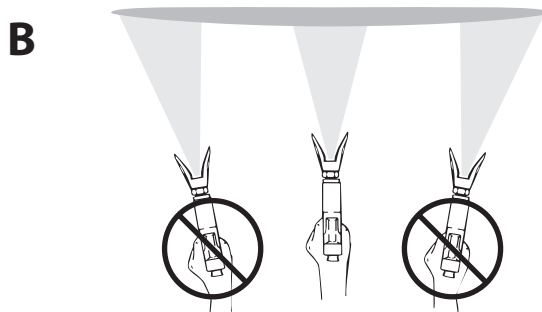
Peligro de inyección. No pulverice sin la protección de la punta en su lugar. NUNCA apriete el gatillo de la pistola a menos que la punta esté completamente girada en la posición de pulverización o de destrabado. SIEMPRE bloquee el gatillo de la pistola antes de retirar, reemplazar o limpiar la punta.

- A) La clave para un buen trabajo de pintura es recubrir de forma pareja toda una superficie. Mueva su brazo a una velocidad constante y mantenga la pistola pulverizadora a una distancia constante de la superficie. La mejor distancia para pulverizar es de 25 a 30 cm entre la punta de pulverización y la superficie.

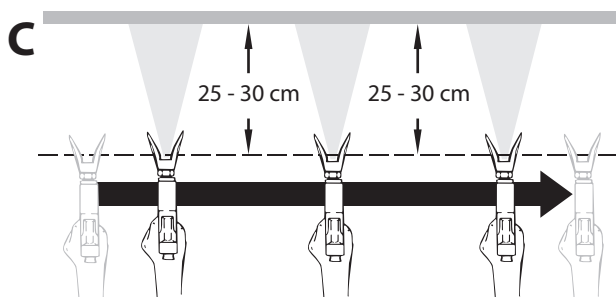


- B) Mantenga la pistola pulverizadora en ángulos rectos respecto de la superficie. Esto quiere decir que debe mover todo el brazo de un lado a otro y no solo mover la muñeca.

Mantenga la pistola pulverizadora de forma perpendicular a la superficie, de lo contrario un extremo del patrón será más grueso que el otro.



- C) Apriete el gatillo después de comenzar el trazo. Suelte el gatillo antes de terminar el trazo. La pistola pulverizadora debería estar en movimiento cuando se aprieta y suelta el gatillo. Superponga cada trazo cerca de 30%. Esto garantizará un recubrimiento pareja.



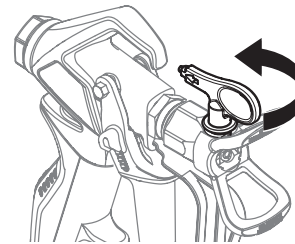
Al presentarse zonas con bordes y franjas en el chorro de pulverizado – aumentar la presión de servicio o diluir el material de recubrimiento.

4.1 LIMPIEZA DE LA BOQUILLA PULVERIZADORA



Si el patrón de pulverización se distorsiona o se detiene completamente durante la pulverización, siga estos pasos.

1. Siga el “Procedimiento de alivio de presión” de la sección Operación de este manual.
2. Si la boquilla se obstruye, gire la manilla de la boquilla en 180° hasta que la flecha en la manilla esté orientada opuesta a la dirección de pulverización y la manilla haga clic en posición inversa (fig. 9).



3. Mueva hacia arriba la válvula PRIME/SPRAY a la posición SPRAY.
4. Apriete el gatillo de la pistola una vez en un recipiente de desechos para que la presión pueda despejar la obstrucción. NUNCA use la boquilla en posición inversa por más de UNA vez que apriete el gatillo. Este procedimiento se puede repetir hasta que la boquilla esté libre de obstrucciones.



El flujo de la boquilla pulverizadora tiene una presión muy alta. El contacto con cualquier parte del cuerpo puede ser peligroso. No coloque el dedo en la salida de la pistola. No apunte la pistola hacia otra persona. Nunca opere la pistola pulverizadora sin la protección adecuada de la boquilla.

5 LIMPIEZA



Atención

Deben limpiarse el rociador, la manguera y la pistola totalmente después del uso diario. De lo contrario, se permite la acumulación de material, afectando seriamente el rendimiento de la unidad.



Siempre rocíe con la presión mínima y sin la boquilla de la pistola al utilizar alcoholes minerales u otros solventes para limpiar el rociador, la manguera o la pistola. La acumulación de electricidad estática puede producir un incendio o explosión en la presencia de vapores inflamables.

5.1 INSTRUCCIONES DE LIMPIEZA ESPECIALES PARA USAR CON SOLVENTES INFLAMABLES

- Siempre lave la pistola rociadora preferiblemente afuera y alejada por lo menos un largo de manguera de la bomba rociadora.
- Si recoge los solventes lavados en un recipiente metálico de un galón, colóquelo en un recipiente vacío de cinco galones, luego lave los solventes.
- El área debe estar libre de vapores inflamables.
- Siga todas las instrucciones de limpieza.

5.2 LIMPIEZA DE ROCIADOR

1. Siga el "Procedimiento de alivio de presión" de la sección Operación de este manual.
2. Retire la punta de la pistola y la protección y limpie con un cepillo usando el solvente adecuado.
3. Coloque el tubo de succión en un recipiente con el solvente apropiado. Los solventes apropiados son, por ejemplo, agua para pintura látex o alcoholes minerales para las pinturas a base de aceite.
4. Coloque la manguera de retorno en un recipiente metálico para desecho.
5. Mueva hacia abajo la válvula PRIME/SPRAY a su posición PRIME.



Sujete el tubo de retorno en el contenedor de residuos al mover el PRIME / SPRAY válvula de PRIME en caso de que el pulverizador es presurizado.

6. Fije la presión en RAPID CLEAN girando la perilla de control de presión a su posición RAPID CLEAN.
7. Encienda la unidad moviendo el interruptor de ON/OFF a la posición ON.
8. Deje circular el solvente a través de la unidad y purgue la pintura de la manguera de retorno hacia el recipiente metálico para desecho.
9. Apague la unidad moviendo el interruptor de ON/OFF a la posición OFF.
10. Mueva hacia arriba la válvula PRIME/SPRAY a su posición SPRAY.
11. Encienda la unidad.



Conecte a tierra la pistola apoyándola contra el borde del recipiente de metal mientras elimina el líquido. De lo contrario puede provocar la descarga de electricidad estática, lo cual a su vez puede ocasionar un incendio.

12. Dispare la pistola en el recipiente metálico para desecho hasta que se haya purgado toda la pintura de la manguera y esté saliendo solvente de la pistola.
13. Continúe apretando el gatillo de la pistola rociadora en el recipiente de desecho hasta que el solvente que salga por la pistola esté sin pintura.



Para el almacenamiento a largo plazo o en temperaturas frías, haga pasar alcoholes minerales a través del sistema completo.

Para el almacenamiento a corto plazo cuando esté usando pintura látex, haga pasar agua mezclada con Titan Liquid Shield a través del sistema completo (para ver el número de pieza, consulte la sección Accesorios de este manual).

14. Siga el "Procedimiento de alivio de presión" de la sección Operación de este manual.
15. Desenchufe la unidad y almacénela en un área limpia y seca.



Atención

No almacene la unidad bajo presión.

5.3 MANTENIMIENTO



Consulte el Manual de servicio, número de pieza 2421886 disponible en línea para todas las instrucciones de servicio y listas de repuestos.

6 PROCEDIMIENTO EN CASO DE AVERÍAS

Problema	Causa	Solución
A. No funciona la unidad.	<ol style="list-style-type: none"> 1. La unidad no está enchufada. 2. Disyuntor disparado. 3. Ajuste de presión demasiado bajo (la perilla de control de presión en su ajuste mínimo no suministra energía a la unidad). 4. Conexiones defectuosas o sueltas. 5. Temperatura excesiva del motor 6. Interruptor ON/OFF defectuoso. 	<ol style="list-style-type: none"> 1. Enchufe la unidad. 2. Reajuste el disyuntor. 3. Gire la perilla de control de presión en la dirección de las agujas del reloj para suministrar energía a la unidad y aumentar el ajuste de presión. 4. Inspeccione o lleve a un centro de servicio autorizado por Titan. 5. Deje que el motor se enfríe. 6. Reemplace el interruptor ON/OFF.
B. No se ceba la unidad.	<ol style="list-style-type: none"> 1. La válvula de entrada está atascada. 2. La válvula PRIME/SPRAY está en la posición SPRAY. 3. Fuga de aire en el tubo de sifón/juego de succión. 4. El filtro de bomba y/o la malla de entrada está obstruido. 5. El tubo de sifón/juego de succión está obstruido. 	<ol style="list-style-type: none"> 1. Inserte la vástago impulsor. 2. Gire la válvula PRIME/SPRAY en la dirección de las agujas del reloj hasta la posición PRIME. 3. Compruebe la conexión del tubo de sifón/juego de succión y apriete o vuelva a asegurar la conexión con cinta PTFE. 4. Quite el elemento del filtro de bomba y límpielo. Quite la malla de entrada y límpiela. 5. Quite el tubo de sifón/juego de succión y límpielo.
C. La unidad no crea presión ni la mantiene.	<ol style="list-style-type: none"> 1. La punta rociadora está desgastada. 2. La punta rociadora es demasiado grande. 3. La perilla de control de presión no está debidamente ajustada. 4. El filtro de bomba, el filtro de la pistola o la malla de entrada están obstruidos. 5. El material fluye desde la manguera de retorno cuando la válvula PRIME/SPRAY está en la posición SPRAY. 6. Fuga de aire en el tubo de sifón/juego de succión. 7. Existe una fuga de fluido externa. 8. Existe una fuga en la sección de líquidos interna (las empaquetaduras están desgastadas o sucias, las bolas de las válvulas están desgastadas). 9. Los asientos de las válvulas están desgastados 10. El motor tiene alimentación pero no gira. 	<ol style="list-style-type: none"> 1. Quite la punta rociadora siguiendo las instrucciones suministradas con la pistola rociadora. 2. Reemplace la punta rociadora por una punta que tenga un orificio más pequeño siguiendo las instrucciones suministradas con la pistola rociadora. 3. Gire la perilla de control de presión en la dirección de las agujas del reloj para incrementar el ajuste de presión. 4. Quite el elemento del filtro de bomba y límpielo. Quite el filtro de la pistola y límpielo. Quite la malla de entrada y límpiela. 5. Limpie o reemplace la válvula PRIME/SPRAY. 6. Compruebe la conexión del tubo de sifón/juego de succión y apriete o vuelva a asegurar la conexión con cinta PTFE. 7. Compruebe todas las conexiones en busca de fugas externas. Apriete las conexiones, si fuese necesario. 8* Limpie las válvulas y de servicio a la sección de líquidos siguiendo el procedimiento de "Servicio a la sección de líquidos" de la sección de Mantenimiento. 9* Invierta o reemplace los asientos de las válvulas siguiendo el procedimiento de "Servicio a la sección de líquidos" de la sección de Mantenimiento. 10. Lleve la unidad a un centro de servicio autorizado por Titan.
D. Fuga de fluido en el extremo superior de la sección de líquidos.	<ol style="list-style-type: none"> 1. Las empaquetaduras superiores están desgastadas. 2. La vara del pistón está desgastada. 	<ol style="list-style-type: none"> 1* Vuelva a poner las empaquetaduras siguiendo el procedimiento de "Servicio a la sección de líquidos" de la sección de Mantenimiento. 2* Reemplace el vástago del pistón siguiendo el procedimiento de "Servicio a la sección de líquidos" de la sección de Mantenimiento.
E. Presión excesiva en la pistola del rociador.	<ol style="list-style-type: none"> 1. El tipo de manguera rociadora sin aire es erróneo. 2. La punta rociadora está desgastada o es demasiado grande. 3. Presión excesiva. 	<ol style="list-style-type: none"> 1. Reemplace la manguera por una manguera rociadora sin aire con trenzado textil conectada a tierra de 1/4" con un largo mínimo de 50 pies (15 metros). 2. Reemplace la punta rociadora siguiendo las instrucciones suministradas con la pistola rociadora. 3. Gire la perilla de control de presión en el sentido contrario a las agujas del reloj para reducir la presión de rociado.
F. Patrón de atomización deficiente.	<ol style="list-style-type: none"> 1. La punta rociadora es demasiado grande para el material que se está utilizando. 2. Ajuste de presión incorrecto. 3. Paso de líquido insuficiente. 4. El material que se está rociando es demasiado viscoso. 	<ol style="list-style-type: none"> 1. Reemplace la punta rociadora con una punta rociadora nueva o más pequeña siguiendo las instrucciones suministradas con la pistola rociadora. 2. Gire la perilla de control de presión para ajustar la presión para obtener un patrón de rociado adecuado. 3. Limpie todas las mallas y filtros. 4. Añada solvente al material de acuerdo con las recomendaciones del fabricante.
G. La unidad no tiene alimentación.	<ol style="list-style-type: none"> 1. El ajuste de la presión es demasiado bajo. 2. Suministro de tensión inadecuado. 	<ol style="list-style-type: none"> 1. Gire la perilla de control de presión en el sentido de las agujas del reloj para aumentar el ajuste de presión. 2. Vuelva a conectar la tensión de entrada para 120V AC.

* Consulte el Manual de servicio (número de pieza 2421886, disponible en línea) para obtener instrucciones completas sobre este procedimiento.

6.1 MENSAJES DE ERROR DEL SISTEMA DE CONTROL DIGI-TRAC™



Las siguientes pantallas de mensajes de error aparecen cuando el sistema de control Digi-Trac detecta un problema con el pulverizador. Cuando se produce un problema y aparece el mensaje de error, se detendrá el pulverizador.



Antes de proceder, siga el Procedimiento de liberación de presión que se describe anteriormente en este manual. Además, siga todas las otras advertencias para reducir el riesgo de una lesión por inyección, por piezas móviles o descarga eléctrica. Desconecte siempre el pulverizador antes de realizar mantenimiento.

PANTALLA CHECK TRANSDUCER (COMPROBACIÓN DEL TRANSDUCTOR)

La pantalla Check Transducer (comprobación del transductor) aparece cuando se desconecta el transductor o está defectuoso. Lleve el pulverizador a un servicio técnico autorizado Titan para que lo reparen.

COMPROB
TRANSDUC

PANTALLA CHECK POTENTIOMETER (COMPROBACIÓN DEL POTENCIÓMETRO)

La pantalla Check Potentiometer (comprobación del potenciómetro) aparece cuando se desconecta el potenciómetro o está defectuoso. Lleve el pulverizador a un servicio técnico autorizado Titan para que lo reparen.

COMPROB
POTENTIOMETRO

PANTALLA LOW VOLTAGE (TENSIÓN BAJA)

La pantalla Low Voltage (tensión baja) aparece cuando el pulverizador se detiene debido a bajo voltaje de entrada. Verifique el suministro de energía y corrija el problema. Vuelva a arrancar el pulverizador con el siguiente procedimiento de "Pintura" en la sección Operación de este manual.

BAJA
TENSION

PANTALLA HIGH MOTOR TEMPERATURE (TEMPERATURA ALTA DEL MOTOR)

La pantalla High Motor Temperature (temperatura alta del motor) aparece cuando la temperatura del motor ha aumentado demasiado. Lleve el pulverizador a un servicio técnico autorizado Titan para que lo reparen.

TEMPERATURA DE
MOTOR ALTA

PANTALLA HIGH MECHANICAL LOAD (CARGA ALTA COMPROBACIÓN MECANISMO)

La pantalla High Mechanical Load (carga alta comprobación mecanismo) aparece cuando el pulverizador se detiene debido a corriente alta o cuando el pulverizador entra en el modo de reinyección. Lleve el pulverizador a un servicio técnico autorizado Titan para que lo reparen.

CARGA ALTA
COMPR. MECANISMO

PANTALLA HIGH CONTROL TEMPERATURE (TEMPERATURA DE CONTROL ALTA)

Indica que el Digi-Trac está apagado debido al calor excesivo. Lleve la pulverizadora a un centro de servicio técnico autorizado de Titan para su reparación.

TEMPERATURA DE
CONTROL ALTA

PANTALLA CHECK MOTOR (COMPROBACIÓN DEL MOTOR)

Indica que el motor está apagado debido a problemas de conexión entre el motor y el controlador. Lleve la pulverizadora a un centro de servicio técnico autorizado de Titan para su reparación.

COMPROB
MOTOR

PANTALLA ENERGÍA DEL CICLO DE HALL EN MAL ESTADO

Indica que el motor o los sensores de efecto Hall del motor están defectuosos. Lleve la pulverizadora a un centro de servicio técnico autorizado de Titan para su reparación.

ENERG CICLO HALL
EN MAL ESTADO

EN ACCESSORIES

F ACCESOIRES

ES ACCESORIOS

Spray Guns • Pistolets de pulvérisation • Pistolas de rociadora			
538006	2 Finger RX-80™ with 517 Tip	2-doigts RX-80™ avec l'embout à 517	2-dedos RX-80™ con la punta de 517
538005	4 Finger RX-80™ with 517 Tip	4-doigts RX-80™ avec l'embout à 517	4-dedos RX-80™ con la punta de 517
538010	RX-80™ with Tip and hose	RX-80™ avec l'embout à TR ¹ et flexible	RX-80™ con la punta y manguera
538020	RX-Pro® with 517 Tip	RX-Pro® avec l'embout à 517	RX-Pro® con la punta de 517
538022	RX-Pro® with Tip and hose	RX-Pro® avec l'embout et flexible	RX-Pro® con la punta y manguera
538033	RX-Pro® with HEA Tip and hose	RX-Pro® avec l'embout à HEA et flexible	RX-Pro® con la punta de HEA y manguera
550060	S-3 with 517 Tip	S-3 avec l'embout à 517	S-3 con la punta de 517
Spray tips and accessories • Embouts de pulvérisation et accessoires • Puntas de rociadora y accesorios			
662-XXX	SC-6+ Tip*	Embout à SC-6+*	Punta de SC-6+*
695-XXX	Spray Tip*	Embout*	Punta*
330-XXX	HEA Tip*	Embout à HEA*	Punta de HEA*
671-XXX	Synergy® Fine Finish Tip*	Embout à Synergy® Fine Finish*	Punta de Synergy® Fine Finish*
651-139	Tip Swivel	Pivot de buse	Dispositivo giratorio de la boquilla
Pump filter • Filtre de pompe • Filtro de bomba			
730-067-30	Coarse 30-Mesh Filter (Green)	Filtre à grosses 30-maillles (vert)	Filtro de 30-malla gruesa (verde)
730-067	Medium 60-Mesh Filter (White)	Filtre à 60-maillles moyennes (blanc)	Filtro de 60-malla media (blanco)
730-067-10	Fine 100-Mesh Filter (Yellow)	Filtre à 100-maillles fines (jaune)	Filtro de 100-malla fina (amarillo)
Gun filter • Filtre de pistolet • Filtro de pistola			
89957	Coarse Mesh Filter (Green)	Filtre à grosses mailles (vert)	Filtro de malla gruesa (verde)
89958	Medium Mesh Filter (White)	Filtre à mailles moyennes (blanc)	Filtro de malla media (blanco)
89959	Fine Mesh Filter (Yellow)	Filtre à mailles fines (jaune)	Filtro de malla fina (amarillo)
Inlet filter • Filtre d'entrée • Filtro de entrada			
710-046A	Rock Catcher, 10 mesh	Filtre de 10 mailles	Filtro de 10 malla
710-191A	Rock Catcher, 30 mesh	Filtre de 30 mailles	Filtro de 30 malla
Extensions • Rallonges • Extensiones			
651-070	6" Tip Extension	Rallonge de embout, 15 cm	Extensión de punta, 15 cm
651-071	12" Tip Extension	Rallonge de embout, 30 cm	Extensión de punta, 30 cm
651-072	18" Tip Extension	Rallonge de embout, 45 cm	Extensión de punta, 45 cm
651-073	24" Tip Extension	Rallonge de embout, 60 cm	Extensión de punta, 60 cm
2418836	Bulk 5" Extension	Rallonge, 13 cm	Extensión, 13 cm
2418839	Bulk 10" Extension	Rallonge, 25 cm	Extensión, 25 cm
2418840	Bulk 20" Extension	Rallonge, 51 cm	Extensión, 51 cm
2418841	Bulk 30" Extension	Rallonge, 76 cm	Extensión, 76 cm
2418862	3' Extension Pole with swivel	Tige rallonge de 90 cm avec pivot	Barra de extensión de 90 cm con pivote
2418863	6' Extension Pole with swivel	Tige rallonge de 180 cm avec pivot	Barra de extensión de 180 cm con pivote

Airless hose and accessories • Flexible sans air et accessoires • Manguera sin aire y accesorios			
316-505	1/4" x 50' Airless Hose	Flexible sans air, 15,2 m x 0,6 cm	Manguera, 15,2 m x 0,6 cm
291006	3/8" x 50' Airless Hose	Flexible sans air, 15,2 m x 0,95 cm	Manguera, 15,2 m x 0,95 cm
316-506	3/16" x 5' Whip Hose	Flexible sans air, 1,5 m x 0,5 cm	Manguera, 1,5 m x 0,5 cm
550063	1/4" x 1/4" hose connector	Raccord de flexible (0,6 cm ² [1/4 po ²])	Acoplamiento de manguera, 1/4 x 1/4 de pulgada
550064	1/4" x 3/8" hose connector	Raccord de flexible , 0,6 cm x 0,95 cm	Acoplamiento de manguera, 1/4 x 3/8 de pulgada
550066	3/8" x 3/8" hose connector	Raccord de flexible (0,95 cm ² [3/8 po ²])	Acoplamiento de manguera, 3/8 x 3/8 de pulgada
2404445	Inner-Feed Roller™	Inner-Feed Roller™	Inner-Feed Roller™
2402013	Sprayroller™ with 3' pole	Sprayroller™ avec rallonge de 1 m	Sprayroller™ con extensión de 1 m
Lubricants and cleaners • Lubrifiants et nettoyeurs • Lubricantes y limpiadores			
314-482	LS-10 Liquid Shield™, 1 Quart	LS-10 Liquid Shield™, 0,95 l	LS-10 Liquid Shield™, 0,95 l
314-480	Piston Lube™, 8 oz	Piston Lube™, 8 oz.	Piston Lube™, 8 onzas
508071	Paint Mate, 1 quart	Paint Mate, 0,95 l	Paint Mate, 0,95 l
Service kits (optional) • Trousses de services (facultatif) • Juegos de servicio (opcional)			
805-845	Oulet valve kit	Trousse de soupape de sortie	Juego de válvula de salida
805-846	Inlet valve kit	Trousse de soupape d'entrée	Juego de válvula de entrada
805-236A	Complete fluid section	Section fluide, complète	Sección de fluidos, completa
805-1010	Repacking kit	Trousse de tampon graisseurs	Juego de empaquetaduras

* Go to www.titantool.com for tip sizes / voir www.titantool.com pour les dimensions / visite www.titantool.com para conocer los tamaños

SERIAL NUMBER LOCATION • EMBLACEMENT DU NUMÉRO DE SÉRIE • UBICACIÓN DEL NÚMERO DE SERIE

PRODUCT REGISTRATION

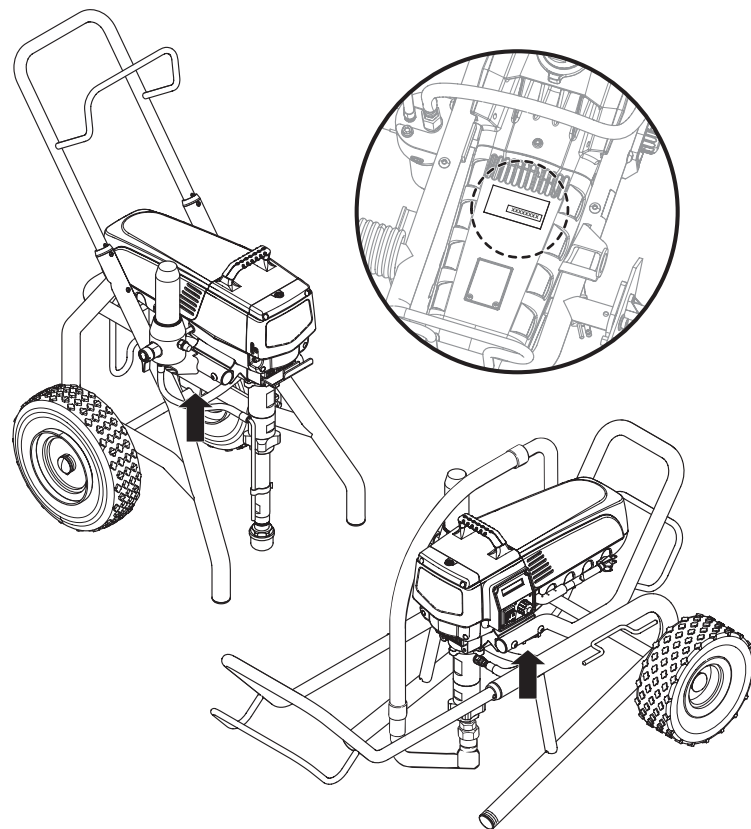
Register your product online at www.titantool.com.

ENREGISTREMENT DU PRODUIT

Enregistrer votre appareil en ligne à www.titantool.com.

REGISTRO DEL PRODUCTO

Registre su producto en línea en www.titantool.com.



WARRANTY

Titan Tool, Inc., (“Titan”) warrants that at the time of delivery to the original purchaser for use (“End User”), the equipment covered by this warranty is free from defects in material and workmanship. With the exception of any special, limited, or extended warranty published by Titan, Titan’s obligation under this warranty is limited to replacing or repairing without charge those parts which, to Titan’s reasonable satisfaction, are shown to be defective within twelve (12) months after sale to the End User. This warranty applies only when the unit is installed and operated in accordance with the recommendations and instructions of Titan.

This warranty does not apply in the case of damage or wear caused by abrasion, corrosion or misuse, negligence, accident, faulty installation, substitution of non-Titan component parts, or tampering with the unit in a manner to impair normal operation.

Defective parts are to be returned to an authorized Titan sales/service outlet. All transportation charges, including return to the factory, if necessary, are to be borne and prepaid by the End User. Repaired or replaced equipment will be returned to the End User transportation prepaid.

THERE IS NO OTHER EXPRESS WARRANTY. TITAN HEREBY DISCLAIMS ANY AND ALL IMPLIED WARRANTIES INCLUDING, BUT NOT LIMITED TO, THOSE OF MERCHANTABILITY AND FITNESS FOR A PARTICULAR PURPOSE, TO THE EXTENT PERMITTED BY LAW. THE DURATION OF ANY IMPLIED WARRANTIES WHICH CANNOT BE DISCLAIMED IS LIMITED TO THE TIME PERIOD SPECIFIED IN THE EXPRESS WARRANTY. IN NO CASE SHALL TITAN LIABILITY EXCEED THE AMOUNT OF THE PURCHASE PRICE. LIABILITY FOR CONSEQUENTIAL, INCIDENTAL OR SPECIAL DAMAGES UNDER ANY AND ALL WARRANTIES IS EXCLUDED TO THE EXTENT PERMITTED BY LAW.

TITAN MAKES NO WARRANTY AND DISCLAIMS ALL IMPLIED WARRANTIES OF MERCHANTABILITY AND FITNESS FOR A PARTICULAR PURPOSE WITH RESPECT TO ACCESSORIES, EQUIPMENT, MATERIALS OR COMPONENTS SOLD BUT NOT MANUFACTURED BY TITAN. THOSE ITEMS SOLD, BUT NOT MANUFACTURED BY TITAN (SUCH AS GAS ENGINES, SWITCHES, HOSES, ETC.) ARE SUBJECT TO THE WARRANTY, IF ANY, OF THEIR MANUFACTURER. TITAN WILL PROVIDE THE PURCHASER WITH REASONABLE ASSISTANCE IN MAKING ANY CLAIM FOR BREACH OF THESE WARRANTIES.

GARANTIE

Titan Tools, inc. (« Titan ») garantit qu'au moment de la livraison à l'acheteur original (« Utilisateur »), l'appareil couvert par la présente garantie sera exempt de défauts de matériaux et de fabrication. Les responsabilités de Titan en vertu de cette garantie se limitent au remplacement ou à la réparation sans frais des pièces dont on aura, à la satisfaction raisonnable de Titan, démontré la défectuosité dans un délai de 12 mois après la date d'achat par l'Utilisateur. Cette garantie ne s'applique que si l'appareil a été installé et utilisé conformément aux recommandations et directives de Titan.

Cette garantie ne s'applique pas dans les cas d'endommagement ou d'usure engendrés par de l'abrasion, de la corrosion, un mauvais usage, de la négligence, un accident, une installation incorrecte, un remplacement par des composants non fournis par Titan ou toute intervention non autorisée apte à nuire au fonctionnement normal de l'appareil.

Les pièces défectueuses doivent être envoyées à un centre de service/vente Titan autorisé; les frais de transport, incluant le retour à l'usine, le cas échéant, doivent être défrayés à l'avance par l'Utilisateur. Une fois remplacées ou réparées, les pièces seront renvoyées à ce dernier par transport prépayé.

AUCUNE AUTRE GARANTIE EXPLICITE N'EST DONNÉE. PAR LES PRÉSENTES, TITAN SE DÉGAGE DE TOUTE AUTRE GARANTIE IMPLICITE, INCLUANT, SANS TOUTEFOIS S'Y LIMITER, LES GARANTIES DE COMMERCIALITÉ ET D'ADAPTATION À UN USAGE PARTICULIER, DANS LES LIMITES PERMISES PAR LA LOI. LA DURÉE DES GARANTIES IMPLICITES NE POUVANT ÊTRE DÉCLINÉES SE LIMITE À LA PÉRIODE INDIQUÉE DANS LA GARANTIE EXPLICITE. LES RESPONSABILITÉS DE TITAN NE SAURAIENT EN AUCUN CAS SE CHIFFRER À UN MONTANT SUPÉRIEUR À CELUI DU PRIX D'ACHAT, ET CELLES RELATIVES AUX DOMMAGES CONSÉCUTIFS, ACCESSOIRES OU PARTICULIERS EN VERTU DE TOUTE GARANTIE SONT ÉGALEMENT DÉCLINÉES, DANS LES LIMITES PERMISES PAR LA LOI.

TITAN NE DONNE AUCUNE AUTRE GARANTIE EXPLICITE ET DÉCLINE TOUTE GARANTIE IMPLICITE DE COMMERCIALITÉ ET D'ADAPTATION À UN USAGE PARTICULIER RELATIVEMENT AUX ACCESSOIRES, À L'ÉQUIPEMENT, AUX MATÉRIAUX OU AUX COMPOSANTS VENDUS MAIS NON FABRIQUÉS PAR ELLE; CES ÉLÉMENTS (MOTEURS À ESSENCE, COMMUTATEURS, FLEXIBLES, ETC.) SONT PLUTÔT SOUMIS, LE CAS ÉCHÉANT, AUX GARANTIES DE LEUR FABRICANT. TITAN S'ENGAGE À OFFRIR UN SOUTIEN RAISONNABLE AUX UTILISATEURS QUI FERONT DES RÉCLAMATIONS RELATIVES À L'INOBSERVATION DE CES GARANTIES.

GARANTÍA

Titan Tool, Inc., ("Titan") garantiza que al momento de la entrega al comprador original para su uso ("Usuario Final") el equipo que se encuentra bajo la cobertura de esta garantía no presentará defectos de materiales ni de mano de obra. A excepción de cualquier garantía especial, limitada o extendida publicada por Titan, la obligación de Titan según esta garantía se limita el reemplazo o la reparación sin cargo de las piezas, las que según el criterio de Titan se presenten como defectuosas dentro de doce (12) meses después de la venta al Usuario Final. Esta garantía es aplicable sólo cuando la unidad se instala y se hace funcionar de acuerdo con las recomendaciones e instrucciones de Titan.

Esta garantía no se aplica en caso de daño o desgaste provocado por abrasión, corrosión, uso indebido, negligencia, accidente, instalación defectuosa, sustitución de piezas de componentes que no pertenezcan a Titan o la alteración de la unidad de alguna manera que impida su funcionamiento normal.

Las piezas defectuosas se deben devolver a una tienda de ventas/servicio técnico autorizada de Titan. Todos los cargos de transporte, incluido el regreso a la fábrica de ser necesario, deben ser costeados y pagados por adelantado por el Usuario Final. El equipo que se repare o reemplace se devolverá al Usuario Final con los gastos de envío pagados por adelantado.

NO EXISTE OTRA GARANTÍA EXPRESA. POR ESTE MEDIO TITAN NIEGA TODAS LAS GARANTÍAS IMPLÍCITAS, ENTRE LAS QUE SE INCLUYEN, AQUELLAS DE COMERCIALIDAD Y APTITUD PARA UN FIN EN PARTICULAR DENTRO DE LO QUE PERMITA LA LEY. LA DURACIÓN DE CUALQUIER GARANTÍA IMPLÍCITA QUE NO SE PUEDA NEGAR SE LIMITA AL PERÍODO QUE SE ESPECIFIQUE EN LA GARANTÍA EXPRESA. LA RESPONSABILIDAD DE TITAN NO EXCEDERÁ EN NINGÚN CASO EL VALOR DE LA COMPRA. LA RESPONSABILIDAD POR DAÑOS ESPECIALES, INDIRECTOS O EMERGENTES SEGÚN CUALQUIERA Y TODAS LAS GARANTÍAS ESTÁ EXCLUIDA DENTRO DE LO QUE PERMITA LA LEY.

TITAN NO REALIZA NINGUNA GARANTÍA Y NIEGA TODAS LAS GARANTÍAS IMPLÍCITAS DE COMERCIALIDAD Y APTITUD PARA UN FIN EN PARTICULAR EN RELACIÓN CON ACCESORIOS, EQUIPOS, MATERIALES O COMPONENTES QUE VENDA, PERO QUE NO FABRIQUE TITAN. ESTOS ARTÍCULOS QUE VENDA, PERO QUE NO FABRIQUE TITAN (TALES COMO MOTORES DE GAS, INTERRUPTORES, MANGUERAS, ETC.) ESTÁN SUJETOS A LA GARANTÍA, DE EXISTIR ALGUNA, DE SU FABRICANTE. TITAN PROPORCIONARÁ UNA ASISTENCIA RAZONABLE AL COMPRADOR PARA REALIZAR CUALQUIER RECLAMACIÓN POR EL INCUMPLIMIENTO DE ESTAS GARANTÍAS.



TITAN®

IMPACT® 840

WITH INTELLISYNC® (I) AND
ACTIVGUARD™ (IA)

UNITED STATES SALES & SERVICE

WEB: www.titantool.com

PHONE: 1-800-526-5362

1770 Fernbrook Lane

Minneapolis, MN 55447

INTERNATIONAL

EMAIL: international@titantool.com