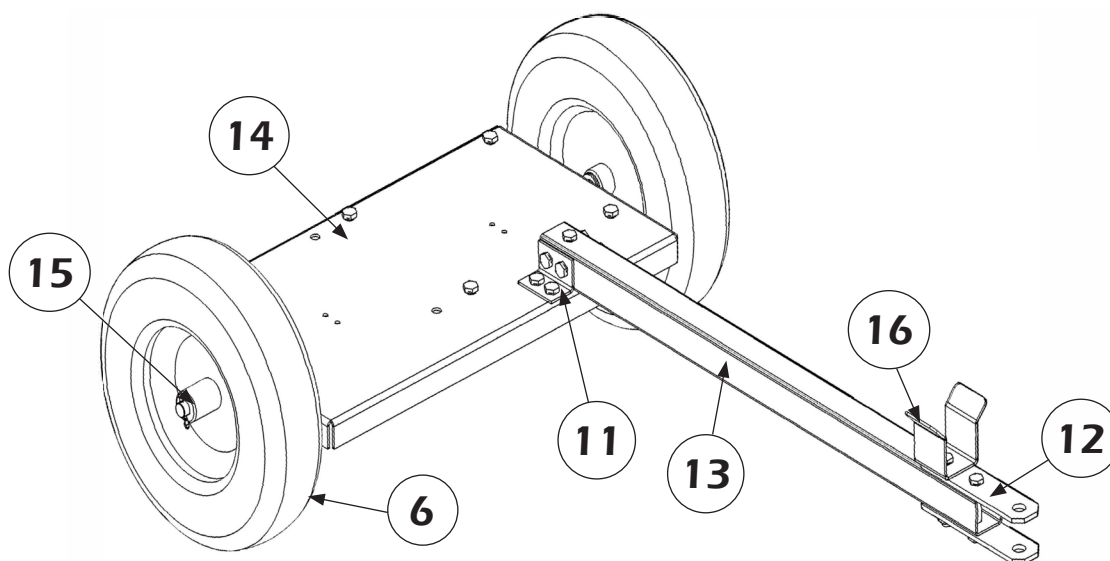


REQUIRED TOOLS:

WRENCH SIZES:

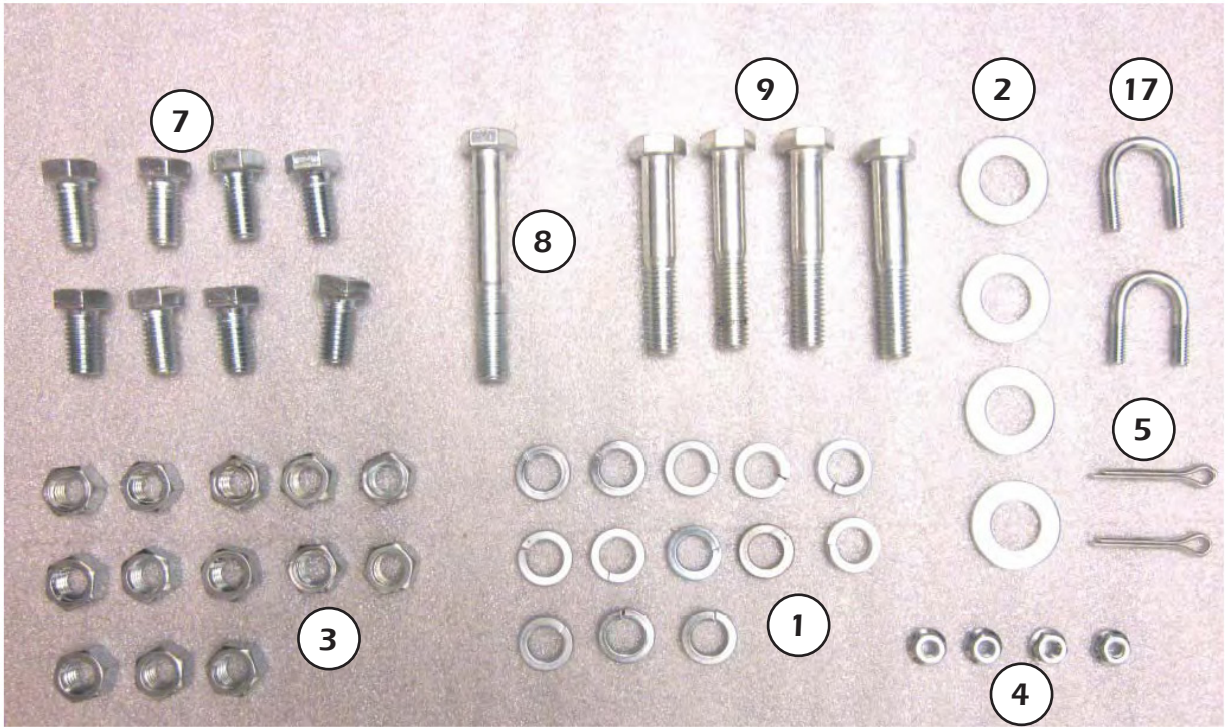
- 1/2 INCH
- 1/4 INCH



REF. #	PART #	DESCRIPTION	QTY.
6	43657-000	Wheel	2
11	300081-1	Tongue Support	2
12	300082	Hitch	2
13	300083-1	Tongue	1
14	300084-4	Base	1
15	300085-1	Axle	1
16	300161-2	Shaft Support	1
NI	64006-000	Decal	1
NI	TDM76-1	Parts Bag	1
NI	16343-000	Axle Protector	2

NI = Not Illustrated

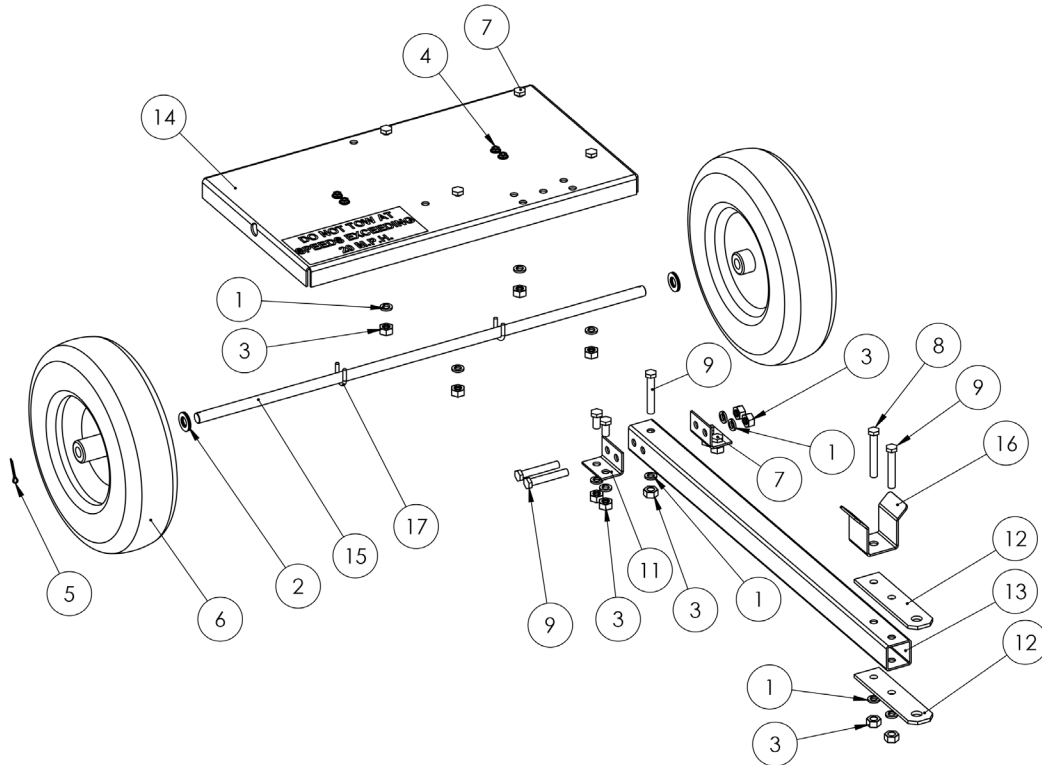
PARTS BAG



REF. #	PART #	DESCRIPTION	QTY IN PARTS BAG
1	636-000	1/2" Split Lock Washer	13
2	1178-000	Flat Washer	4
3	1744-000	1/2" Hex Nut	13
4	16248-000	1/4" Flange Nut	4
5	20979-000	Cotter Pin	2
7	48178-000	1/2" x 1" Bolt	8
8	57580-002	1/2" x 3 1/2" Bolt	1
9	57580-007	1/2" x 3" Bolt	4
17	300163	U-Bolt	2

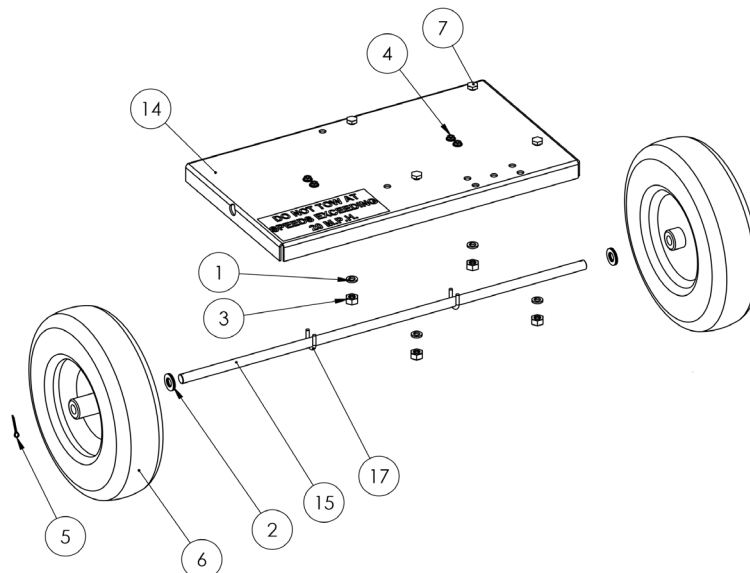
STEP 1

- Attach tongue supports (11) to the base (14) using the hardware provided (1, 3, 7). Place tongue (13) into the tongue supports (11) and attach using the hardware provided (1, 3, 7). Place hitch pieces (12) and tongue support (ref. 16) on the tongue (13) and attach using the hardware provided (9, 3, 1).



STEP 2

- Slide the axle (15) through the holes in the base (14). Slide one washer (2) onto each end of the axle. Lift the base and tongue assembly and slide the wheels (6) on the axle. Place the cotter pins (5) through the axle and bend to secure. Install the u-bolts (17) from the bottom around the axle. Secure from the top with flange nuts (4).



STEP 3

- Place the generator on the base (14) and mount using the hardware provided (1, 3, 4).

