

WINCO[®] GENERATORS

 An American Company

We produce our products in our 200,000 ft² facility located in Le Center, Minnesota, equipped with modern engineering, fabrication and assembly capabilities.



Brushless Industrial Genend

With automatic voltage regulation

Receptacle Panel

Including a 50 Amp twist lock

Fork Pockets

Convenient fork pockets integrated into the unit

Standard E-Stop

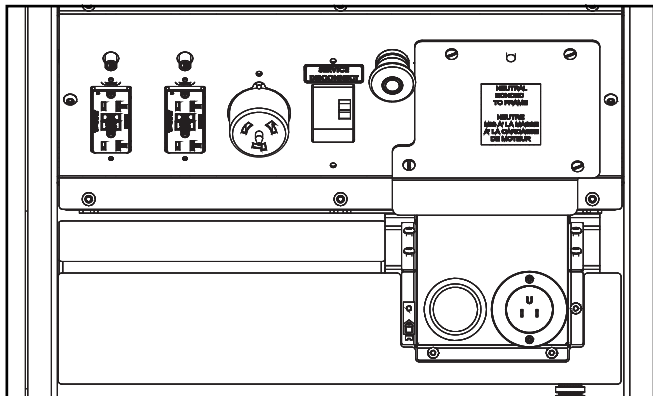
Quickly shut down the unit in case of an emergency

Single Point Lifting Eye

One lifting eye for quick and easy maneuvering

Oil Field Skid

With 4-point lifting eyelets



RP15

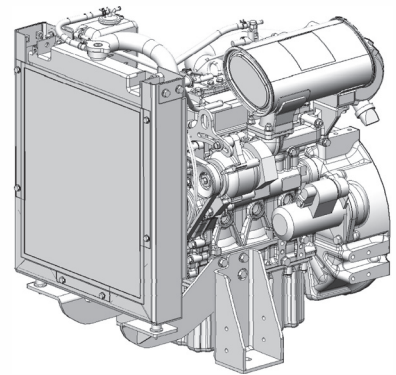
12,500 WATTS

REDI-POWER

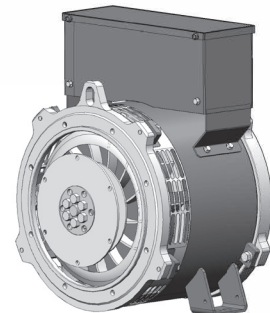
Rugged Design



Yanmar Tier IV Engine



Compact Mecc Alte Generator



SPECIFICATIONS

ELECTRICAL

VOLTS	POWER FACTOR	STARTING			RUNNING			MAIN CB
		WATTS	KVA	AMPS	WATTS	KVA	AMPS	
120/240 1-PH	1.0	15,000	15,000	62.5	12,500	12,500	52	60

ENGINE

ENGINE BRAND	YANMAR
ENGINE MODEL	3TNM74F
TIER	IV FINAL
ENGINE STARTER	12V ELECTRIC
ENGINE SPEED	3600 RPM
ENGINE CYLINDERS	3
ENGINE HP	22
FREQUENCY	60 HZ
ALTERNATOR	40 AMPS 12V
FLYWHEEL	6.5"
ROTATION	CCW
ASPIRATION/COOLING	NATURAL
COOLANT	1 L
BORE/STROKE	74 mm x 77 mm
DISPLACEMENT/TYPE	993CC
LOW OIL PROTECTION	STANDARD
RECOMMENDED OIL ⁽²⁾	5W-30 SAE
OIL CAPACITY	3.59 QT
INJECTION PUMP	INDIRECT
GOVERNOR	MECHANICAL
COMPRESSION RATIO	23.5:1
FAN TYPE	PUSHER
INTAKE AIR CONSUMPTION	96.608 CFM
RADIATOR COOLING AIR	--
EXHAUST FLOW	170.294 CFM
EXHAUST OUTLET SIZE	2"
STARTING AIDES	GLOW PLUGS
STARTING TEMP W/ AIDES	5° F
STARTING TEMP W/BLOCK HEATER	-13° F

NOTES: (1) Steady state frequency regulation. (2) The recommended oil is for normal applications. See operator's manual for the recommended oil for your needs. (3) Battery not included.

RP15

MOTOR STARTING (CODE G)	2 HP
DBA @ 7 METERS	76
TOTAL HARMONIC DISTORTION	< 5%
MAIN CIRCUIT BREAKER	60 AMP, 240V
BONDED NEUTRAL	YES
120 VOLT RECEPTACLES	(2) NEMA 5-20 20A DUPLEX (GFCI)
120/240 VOLT RECEPTACLES	(1) C6369 50A
FORKLIFT POCKETS	STANDARD
ASSEMBLED IN	USA
REQUIRED BATTERY ⁽¹⁾	GROUP 26 500 CCA
EPA APPROVED	TIER IV FINAL
CARB APPROVED	TIER IV FINAL
TÜV CERTIFICATION	CSA
UNIT WARRANTY ⁽²⁾	1 YEAR/2,000 HOURS

NOTES: (1) Battery not included. (2) For more generator warranty, see operator's manual.

GENERATOR END

WINDING	12 LEAD
VOLTAGE REGULATION	AVR +/- 1%
AVR TYPE	SR-7/2-G
TEMPERATURE RISE	125/40°C
TYPE	REVOLVING FIELD
BRUSHLESS	YES
SPEED	3600 RPM
ROTOR	2/3 PITCH
WINDINGS	100% COPPER
STATOR WINDING	DOUBLE LAYER CONCENTRIC
COUPLING	DIRECT/FLEXIBLE DISC
BEARINGS	SINGLE (MAINTENANCE FREE)
EFFICIENCY PEAK	85.3%
INSULATION	CLASS H
INGRESS PROTECTION	IP23

SPECIFICATIONS

DERATES

ABOVE SEA LEVEL	
3,280 FT - 6,560 FT	10%
6,561 FT - 9,841 FT	20%
> 9,842 FT	30%
AMBIENT TEMPERATURE	
>104°F	2% EVERY 10°F

FUEL

TYPE	ASTM D975 NO-2D DIESEL
FUEL TANK	15 GAL 110% CONTAINMENT
FULL LOAD RUN TIME ⁽¹⁾	11.45 HOURS
FUEL CONSUMPTION	GAL/HR
100%	1.31
75%	0.98
50%	0.65
25%	0.32

NOTES: (1) Run time is estimated.

SHIPPING

SHIPPING DIMENSIONS (L x W x H)	62" x 33" x 45"
SHIP WEIGHT	998 LBS
FREIGHT CLASS	85

OPTIONAL ACCESSORIES

50 AMP PLUG	CS6365C
BATTERY	GROUP 26 500 CCA

COMAP INTELINANO CONTROLLER

ENGINE DISPLAY/PROTECTION

ENGINE RPM	YES
LOW OIL PRESSURE	YES
HIGH COOLANT TEMP	YES
OVER/UNDER SPEED	YES
OVER CRANK	YES
CAN ECU SHUTDOWN	YES

GENSET DISPLAY/PROTECTION

VOLTAGE (L-N & L-L)	YES
OVER/UNDER VOLTAGE	YES
FREQUENCY	YES
OVER/UNDER FREQUENCY	YES
AMP DISPLAY/SHUTDOWN	YES
KW, KVA, KVARH DISPLAY	YES
KWH, KVAH, KVARH DISPLAY	YES

ADDITIONAL DISPLAYS/PROTECTIONS

EXTERNAL E-STOP	YES
BATTERY VOLTAGE	YES
BATTERY OVER/UNDER VOLTAGE	YES

COMMUNICATIONS

USB CONNECTABLE	YES
-----------------	-----

ADDITIONAL FEATURES

AUDIBLE ALARM	YES
OPERATING TEMPERATURE	-4° TO 158°F



Specifications are subject to change without notice.

