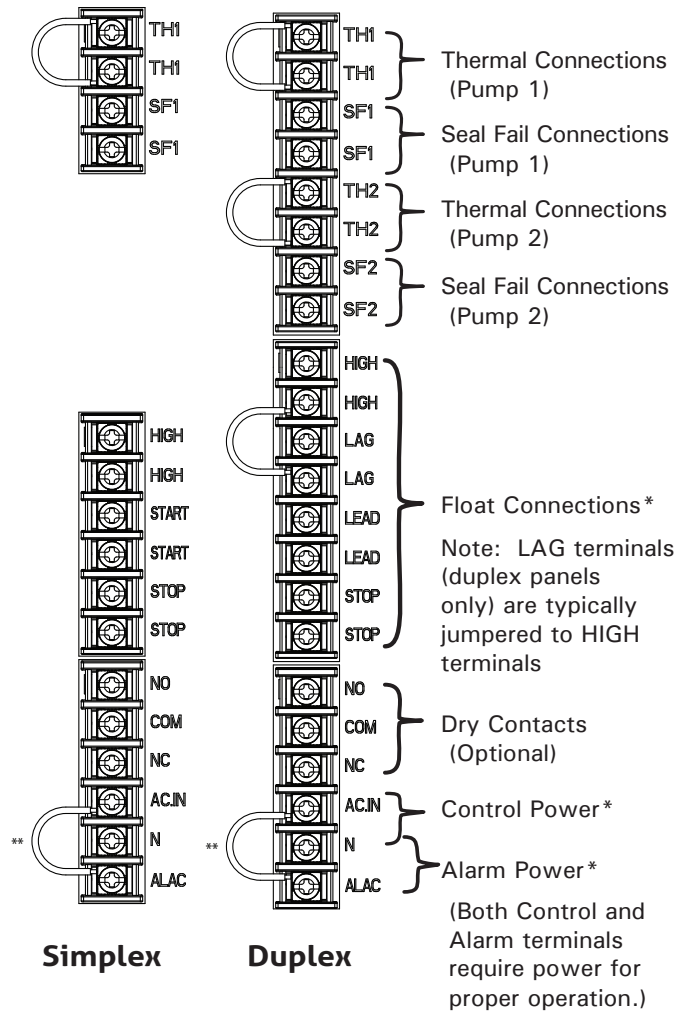


# ZOELLER PUMP COMPANY Pivot® Pro Quick Reference Guide

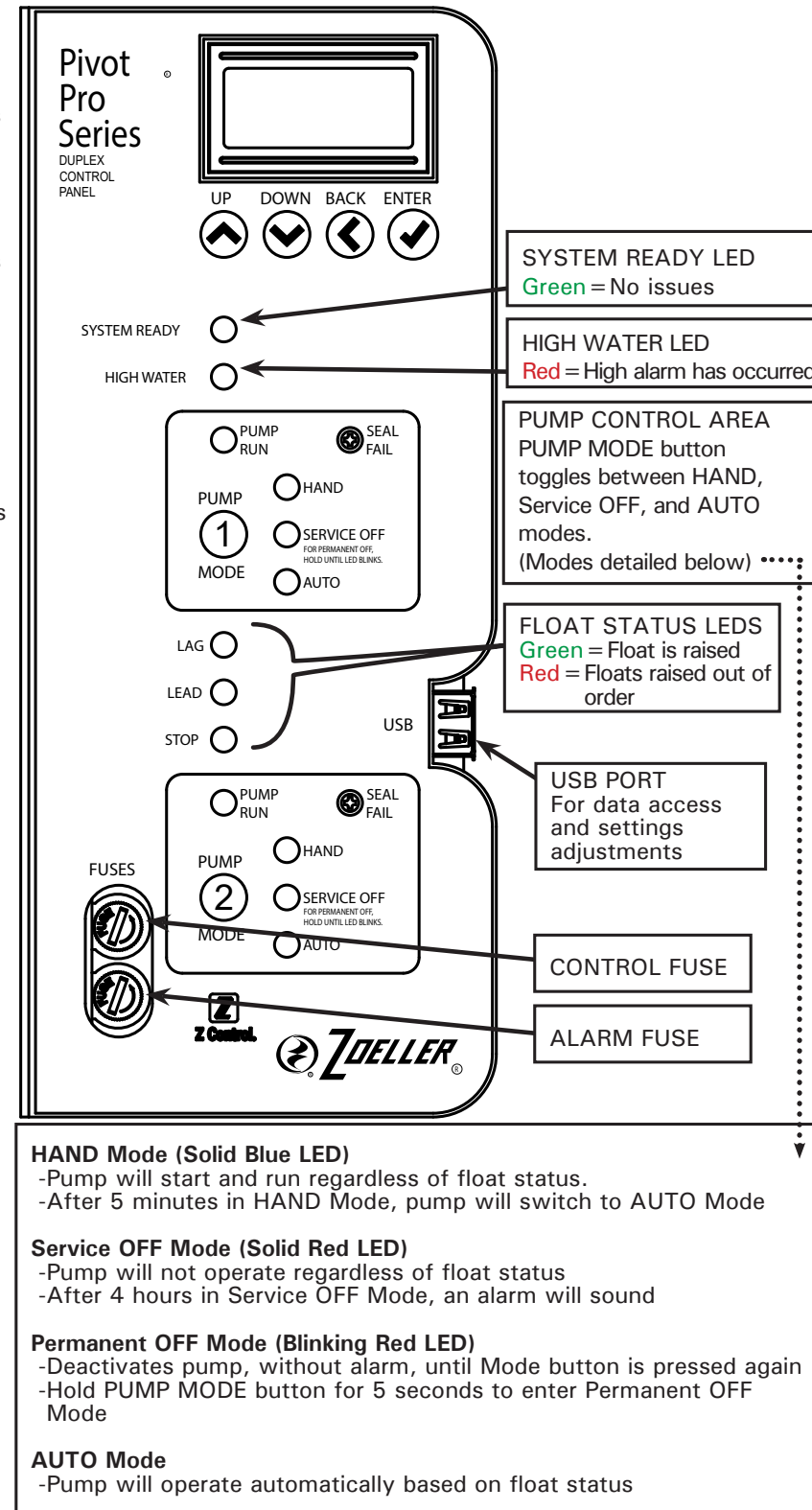
## Before You Begin...

- This guide provides an overview of basic Pivot Pro features - further explanation can be found in the manual
- Pivot®Pro uses intelligent logic to keep the system operational in the event of failures – certain behaviors may be unfamiliar at first
- Pivot®Pro is designed to use just 3 floats for most applications, regardless of simplex and duplex configurations

## Essential Electrical Connections

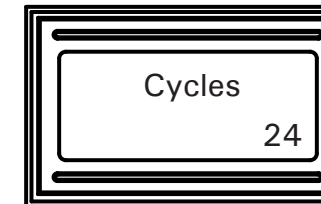


## Basic Functions



## LCD Menu

### Simplex Default Display



Displays cycle count

### Duplex Default Display



Top right: Pump 1 cycle count  
Bottom right: Pump 2 cycle count

'D' = Lead pump alternates based on lead/lag Ratio, but will run both pumps simultaneously in lag condition  
'A' = Lead pump alternates based on Lead/Lag Ratio, no simultaneous run  
'L' = Lead pump is set and will not alternate

Example: Pump 1 logged 36 cycles, Pump 2 logged 24 cycles. Pump 2 will start next, but lead pump will switch

NOTE: The Pivot Pro display must be unlocked before edits can be made. To unlock, press and hold the BACK and ENTER buttons simultaneously for about 1 second. Locking method can be changed in the 'Lock Set' menu item.

## Other Menu Items

**Alarms:** Displays current alarms, if any

**P1/P2 CC:** Displays the cycle count(s)

**P1/P2 ETM:** Displays elapsed time meter(s)

**Lead/Lag (Duplex Only):** Sets the lead:lag alternating ratio or defines the lead pump

**Simplex/Duplex/Alt:** Sets the panel operating mode

Simplex: Only Pump 1 will operate

Duplex: Simultaneous pump operation on Lag float rise

Alt: Active pump will switch on Lag float rise (no simultaneous run)

**3 Floats / 4 Floats:** Sets the number of floats the panel expects

**OL Alrms:** Activates alarm if physical overload trips (not all panels have overloads)

**Seal Fail:** Dictates whether or not the panel deactivates a pump if seal fail is detected

**Cont Run:** Alarm sounds if any pump run event exceeds timer (20-minute default)

**HOA Set:** Sets the timeout parameters for the HOA switch

5mH = 5-minute (default) limit in HAND Mode before panel reverts to AUTO mode

4hA = 4-hour (default) limit in Service OFF Mode before panel sounds an alarm

**Thermals:** Sets thermal circuit to read as normally open (NO) or normally closed (NC)

**Horn Set:** Sets behavior of audible alarm as Active or Latching

**Globe:** Sets behavior of globe as Solid, Blinking, or Alarm based

**Logic:** Sets panel's behavior to float input

Smart: Attempts to compensate for float issues

Relay: Responds to floats in conventional "relay-logic" fashion

**Lock Set:** Display securable via 3 ways: 2-Button press (BACK+ENTER), PIN, or USB Key

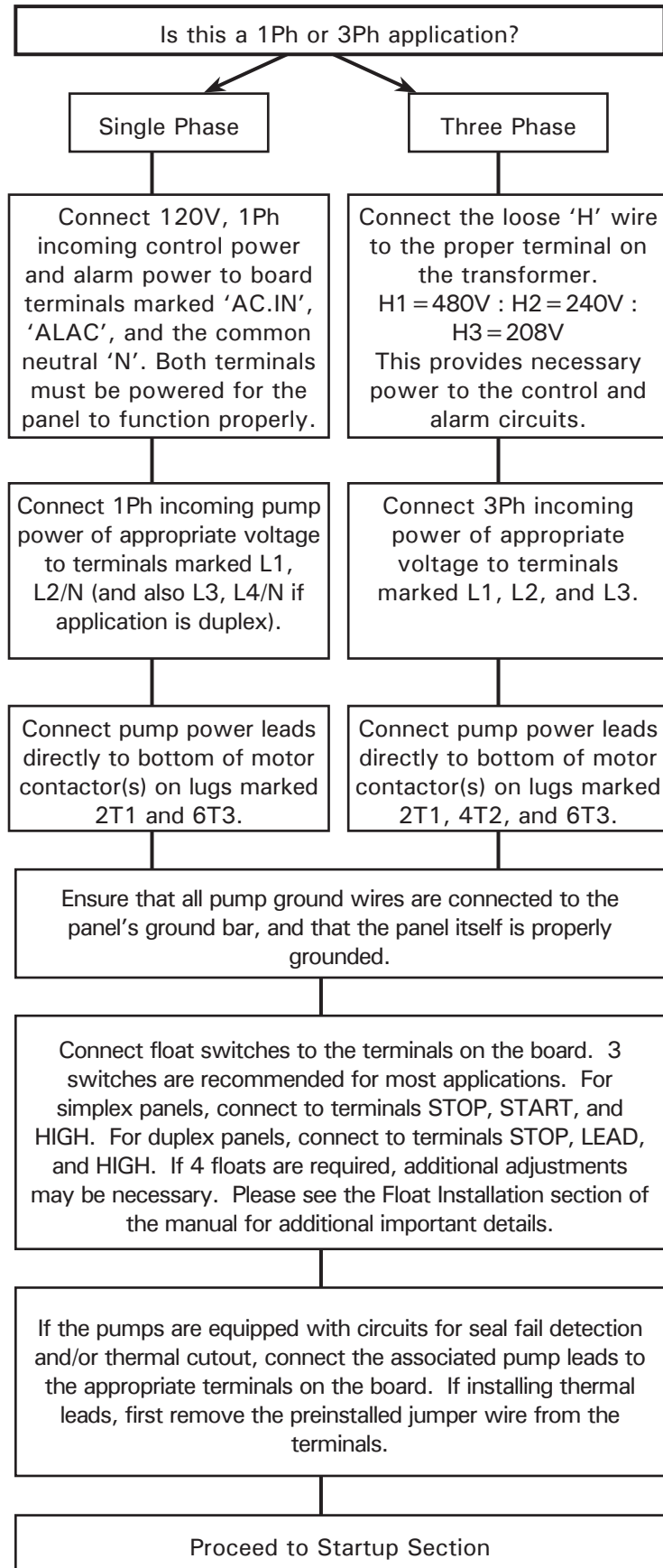
\* Denotes required connections

\* This jumper factory installed for 3Ph panels

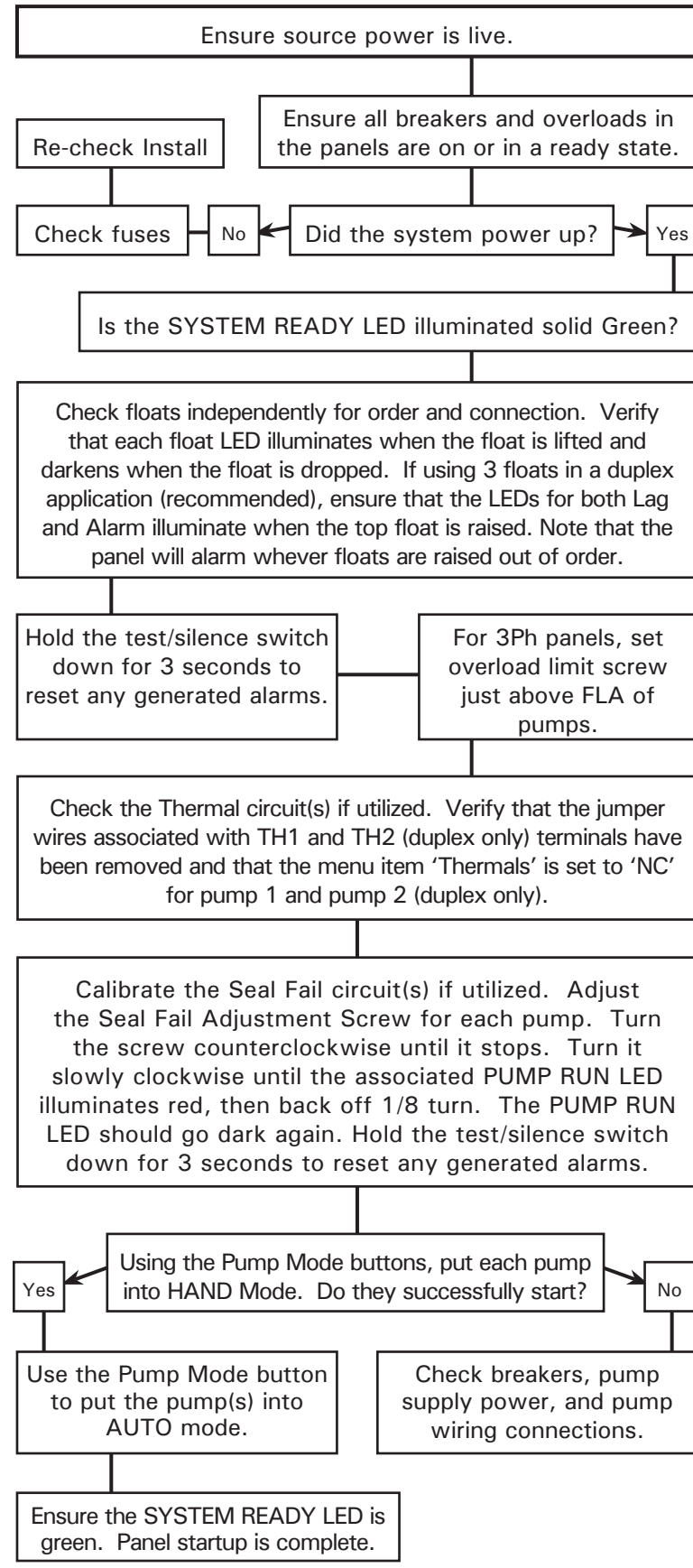


# Installation, Startup, and Troubleshooting Flowchart

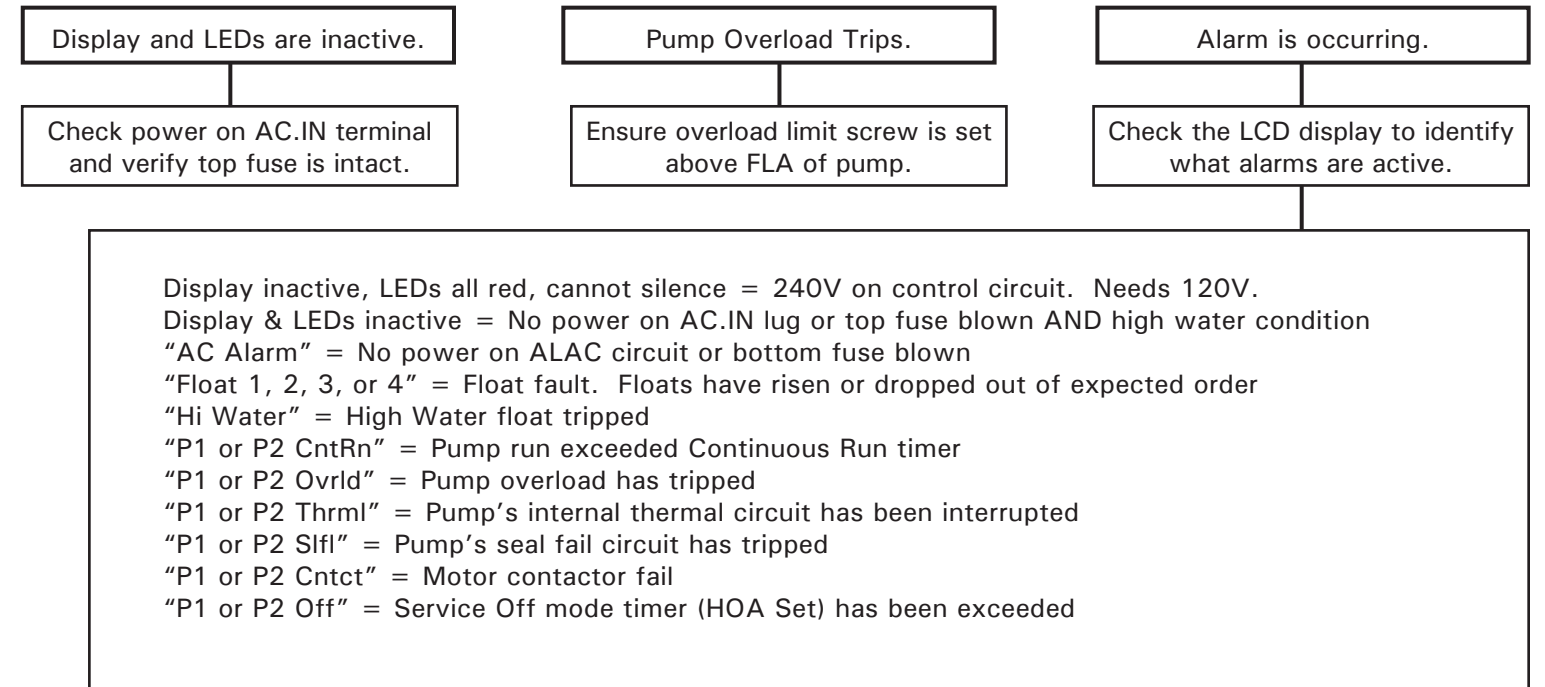
## Install



## Startup



## Troubleshoot



## Alarm Conditions

| Alarm Condition              | User Interface LEDs |              |                |              |                   |                   |                          |
|------------------------------|---------------------|--------------|----------------|--------------|-------------------|-------------------|--------------------------|
|                              | Latching            | Globe        | System Ready   | High Water   | Pump Run (1 or 2) | Pump Off (1 or 2) | Stop, Start/Lead, or Lag |
| Overload (3PH only)          | No                  | Fast Blink   | Off            | Off          | Solid Red         | Off               | Off                      |
| Failed Contactor             | Yes                 | Fast Blink   | Off            | Off          | Solid Red         | Off               | Off                      |
| Service Off Timeout          | No                  | Double Blink | Off            | Off          | Off               | Blinking Red      | Off                      |
| Disabled Alarm Circuit       | No                  | Double Blink | Off            | Solid Red    | Off               | Off               | Solid Red                |
| Continuous Run               | Yes                 | Solid        | Off            | Off          | Blinking Amber    | Off               | Off                      |
| High Water Float Logic Error | Yes                 | Slow Blink   | Off            | Blinking Red | Off               | Off               | Off                      |
| Float Logic Error            | Yes                 | Slow Blink   | Off            | Off          | Off               | Off               | Blinking Red             |
| Float Questionable           | Yes                 | Slow Blink   | Off            | Off          | Off               | Off               | Blinking Amber           |
| High Water                   | Yes                 | Solid        | Off            | Solid Red    | Off               | Off               | Off                      |
| Seal Fail Alarm              | Yes                 | Fast Blink   | Off            | Off          | Blinking Red      | Off               | Off                      |
| Thermal Alarm                | Yes                 | Fast Blink   | Off            | Off          | Blinking Red      | Off               | Off                      |
| High Control Voltage         | Yes                 | Off          | Blinking Green | Blinking Red | Blinking Red      | Blinking Red      | Blinking Red             |

